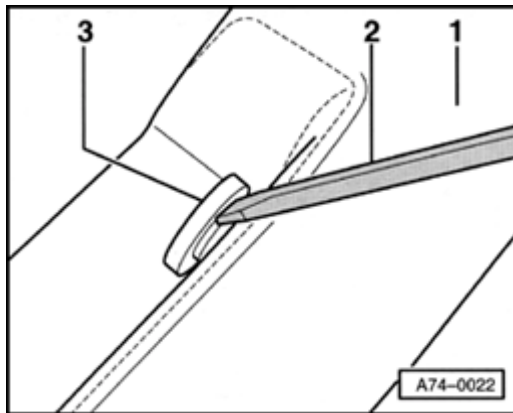


72-57

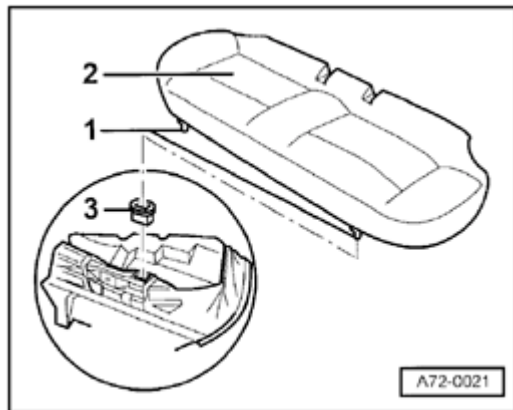
## Rear seat

### Rear seat, removing and installing



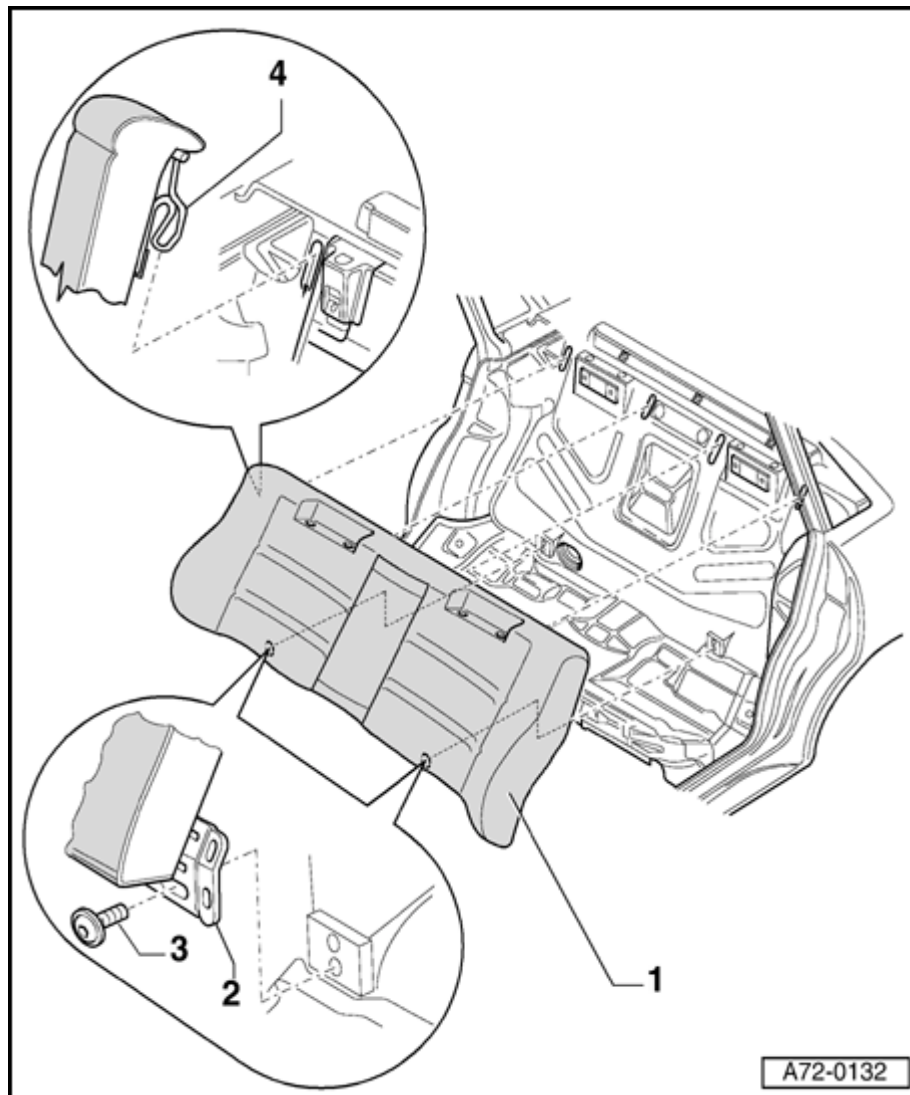
A

- Using screwdriver -2-, carefully lift headrest guides -3- out of rear backrest -1-.



A

- Detach rear seat -2- upward out of mounting -3-.
- To install, brackets -2- must be pushed into mountings -3-.



## One-piece rear seat backrest, removing and installing

### 1 - One-piece backrest

- Remove rear seat ⇒ [page 72-57](#) .
- Remove headrests ⇒ [page 72-70](#) .
- For vehicle with ski sack, remove ski sack frame ⇒ [page 74-31](#) .
- Remove headrest guides ⇒ [page 72-67](#) .
- Remove bolts -3- (2x).
- Push rear backrest -1- up and detach rear backrest -1- from brackets -4- (4x).

Vehicles with LATCH System:

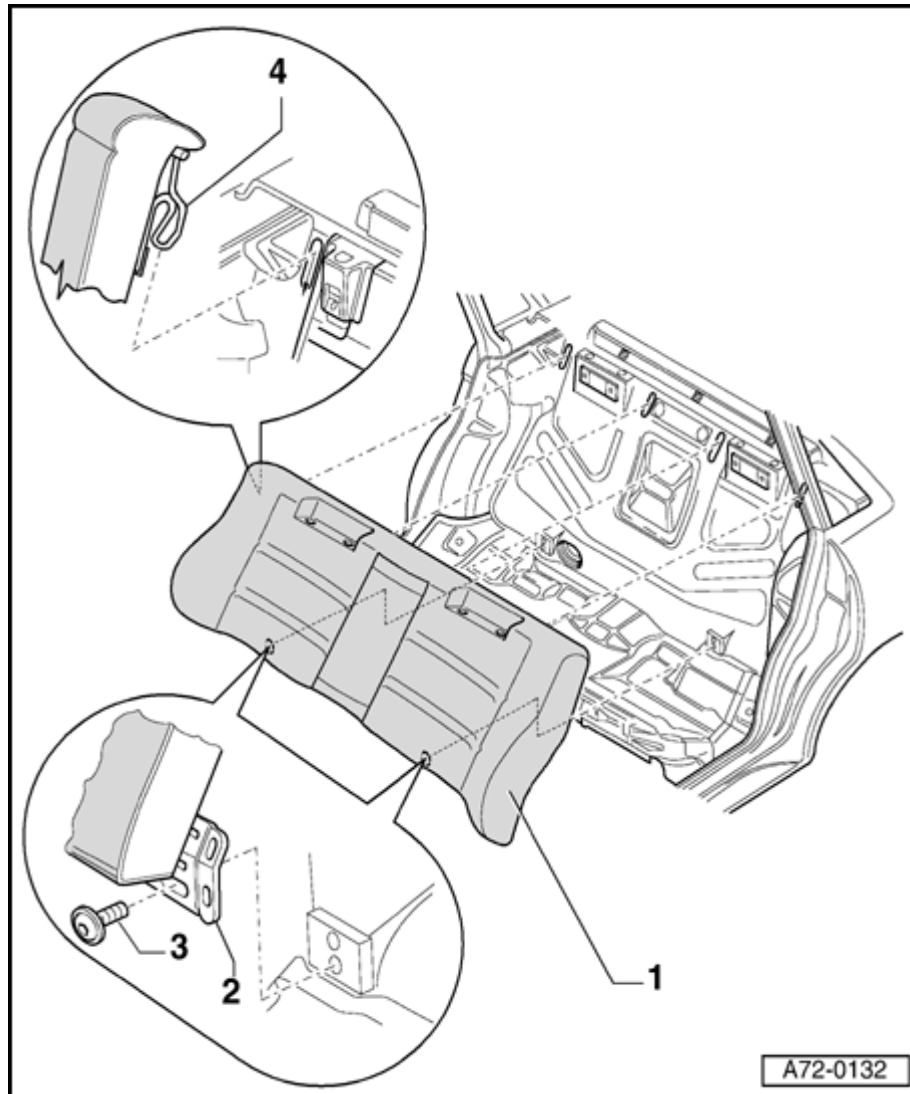
- Remove tabs -2- behind LATCH bracket.

### Notes:

- ◆ *To install rear backrest, push tab -2- behind LATCH bracket.*
- ◆ *If LATCH is retrofitted, it may be necessary to flatten tab -2- in vise down to about 3 mm.*

### 2 - Tab

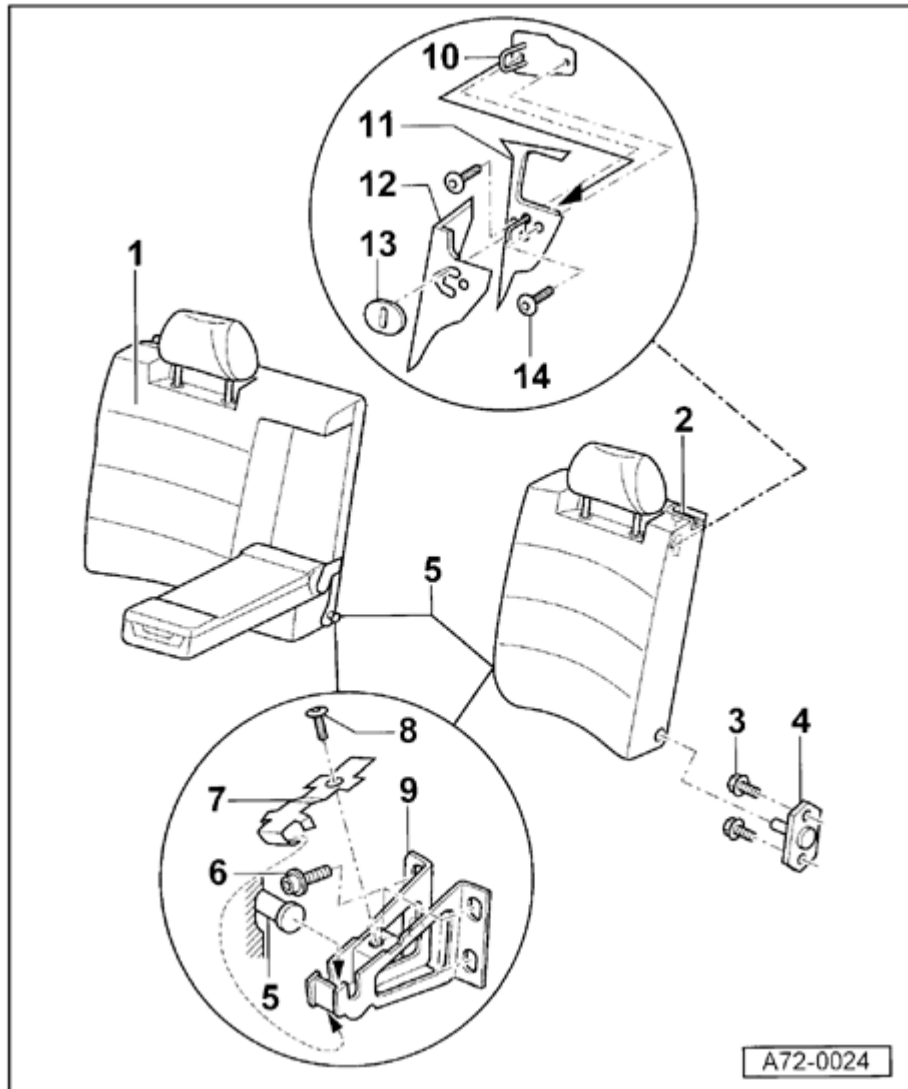
72-59



**3 - Bolts (2x)**

◆ 8 Nm (71 in. lb)

**4 - Hooks (4x)**



## Split rear seat backrest (Sedan), removing and installing

### 1 - 2/3 rear backrest

Removing:

- Remove bolt -8- and remove center mounting bracket clip -7-.
- Lift rear backrest out of center mounting bracket -9- and pull toward center of car out of fitting -4-.

Installing:

- ◆ Installation is the reverse of removal

### 2 - 1/3 rear backrest

- ◆ Removal and installation procedures are same as 2/3 rear backrest

### 3 - Bolts (2x)

- ◆ 16 Nm (12 ft lb)

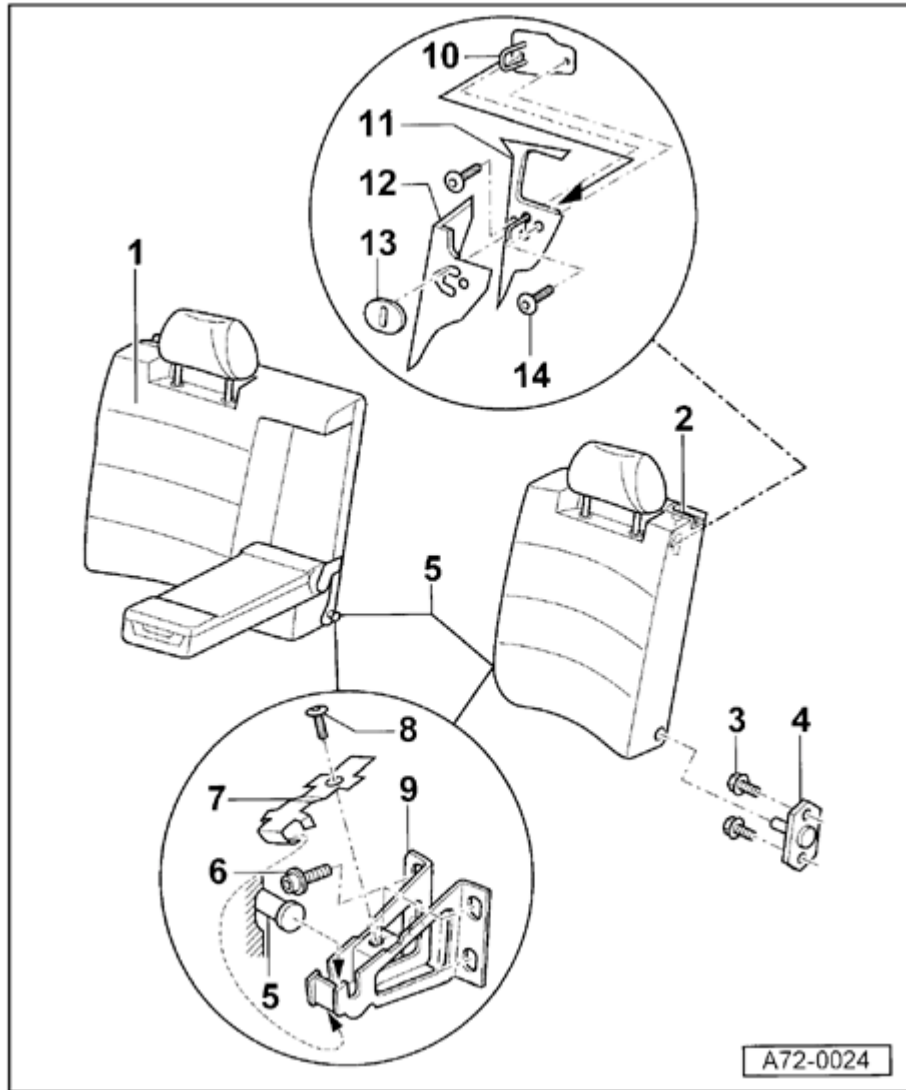
### 4 - Fitting

### 5 - Guide for rear backrest

### 6 - Bolt (4x)

- ◆ 16 Nm (12 ft lb)

72-61



**7 - Center mounting bracket clip**

**8 - Bolt**

◆ 8 Nm (71 in. lb)

**9 - Center mounting bracket**

**10 - Locking stirrup**

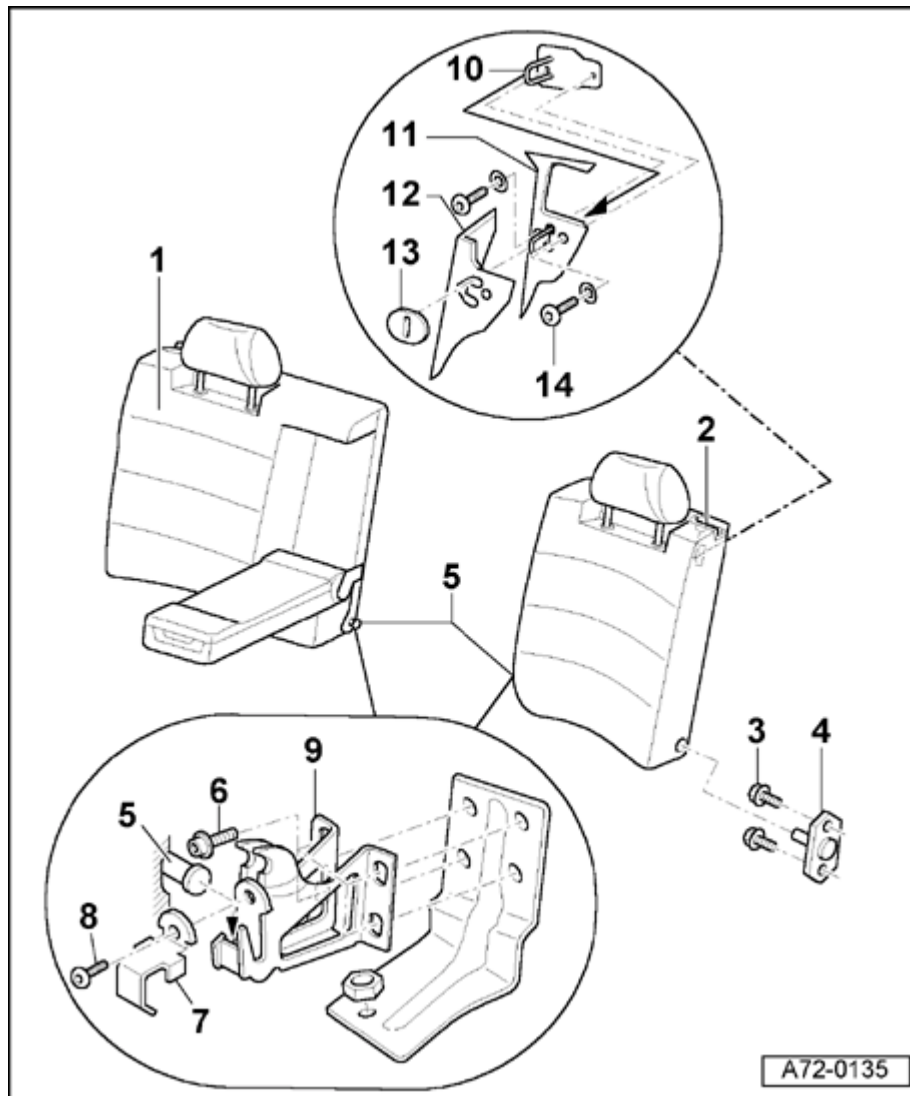
**11 - Rear panel**

**12 - Trunk trim**

**13 - Base plate**

**14 - Bolt**

◆ 8 Nm (71 in. lb)



## Split rear backrest (Avant ▶m.y. 1998), removing and installing

### 1 - 2/3 rear backrest

#### Removing:

- Remove bolt -8- and remove center mounting bracket clip -7-.
- Lift rear backrest out of center mounting bracket -9- and pull toward center of car out of fitting -4-.

#### Installing:

- ◆ Installation is the reverse of removal

### 2 - 1/3 rear backrest

- ◆ Removal and installation procedures are same as 2/3 rear backrest

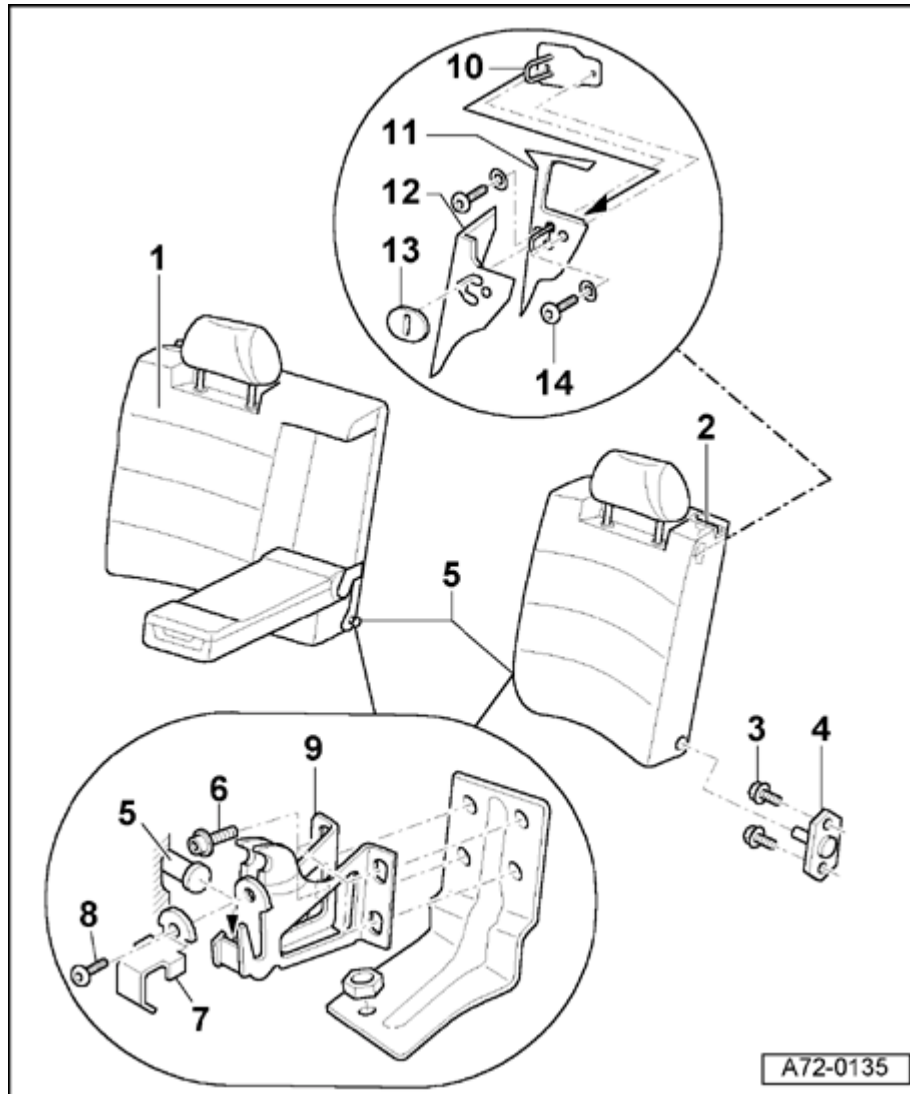
### 3 - Bolts (2x)

- ◆ 16 Nm (12 ft lb)

### 4 - Fitting

### 5 - Guide for rear backrest

72-63

**6 - Bolt (4x)**

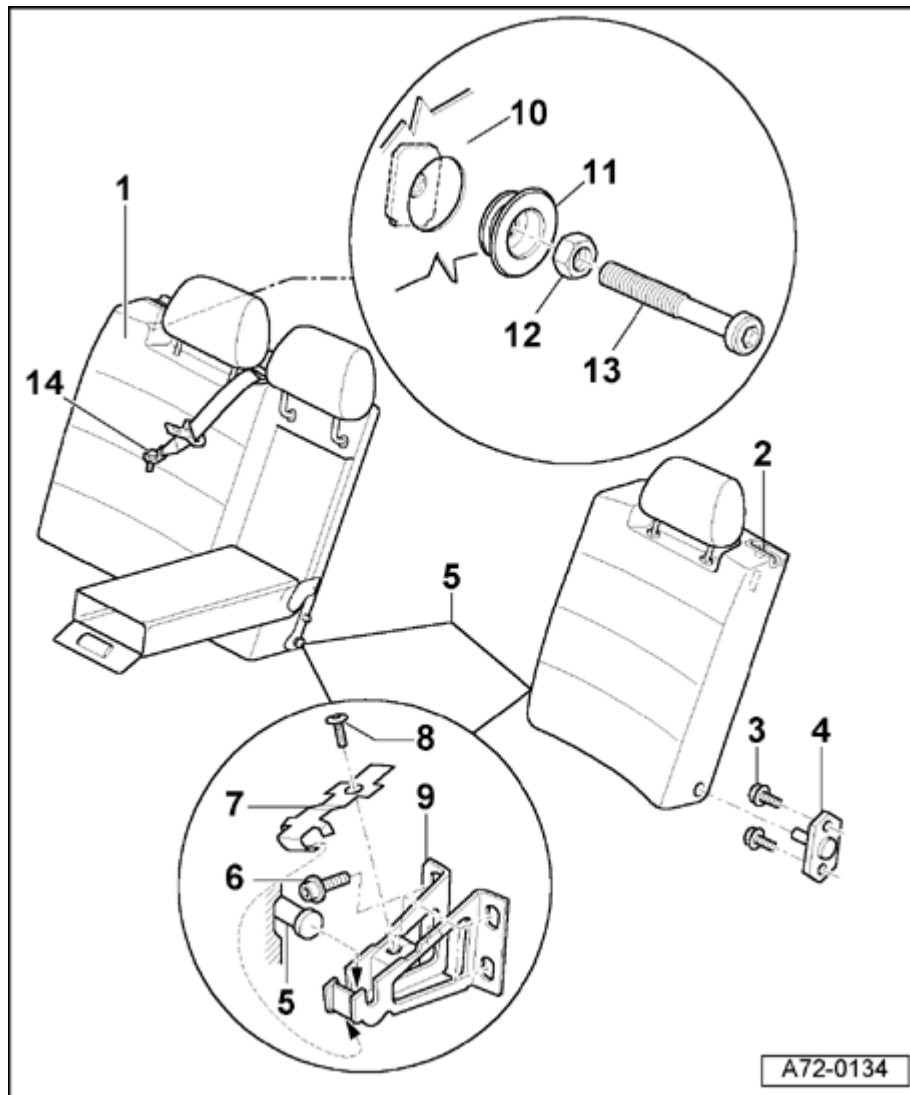
◆ 16 Nm (12 ft lb)

**7 - Center mounting bracket clip****8 - Bolt**

◆ 8 Nm (71 in. lb)

**9 - Center mounting bracket****10 - Locking stirrup****11 - Rear panel****12 - Trunk trim****13 - Base plate****14 - Bolt**

◆ 8 Nm (71 in. lb)



## Split rear backrest (Avant m.y. 1998 ➤), removing and installing

### 1 - 2/3 rear backrest

Removing:

- Remove rear seat ⇒ [page 72-57](#) .
- Disconnect harness connector to belt tensioner ⇒ [Fig. 2](#) .
- Remove bolt -14-.
- Remove bolt -8- and remove center mounting bracket clip -7-.
- Lift rear backrest out of center mounting bracket -9- and pull toward center of car out of fitting -4-.

Installing:

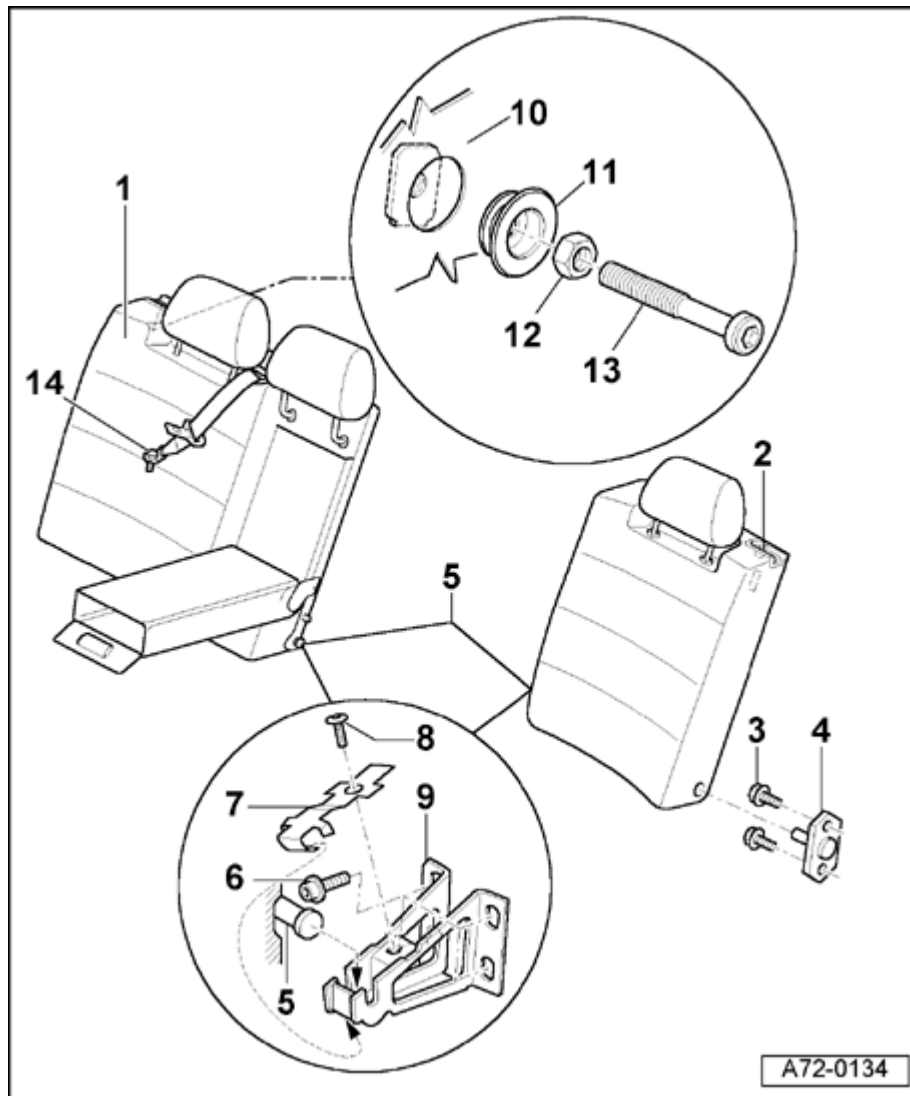
- ◆ Installation is the reverse of removal

### 2 - 1/3 rear backrest

- Remove bolt -8- and remove center mounting bracket clip -7-.
- Lift rear backrest out of center mounting bracket -9- and pull toward center of car out of fitting -4-.



72-65

**3 - Bolts (2x)**

◆ 16 Nm (12 ft lb)

**4 - Fitting****5 - Guide for rear backrest****6 - Bolt (4x)**

◆ 16 Nm (12 ft lb)

**7 - Center mounting bracket clip****8 - Bolt**

◆ 8 Nm (71 in. lb)

**9 - Center mounting bracket****10 - Side trunk trim****11 - Spring washer****12 - Nut**

◆ 55 Nm (41 ft lb)

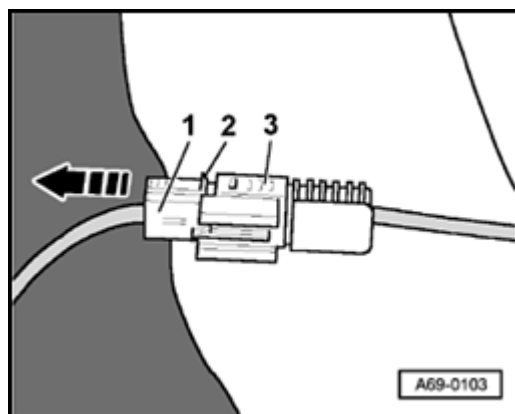
**13 - Latch bolt**

- Install latch bolt hand tight and adjust after backrest is installed.

**14 - Bolt (1x)**

◆ 55 Nm (41 ft lb)

72-66



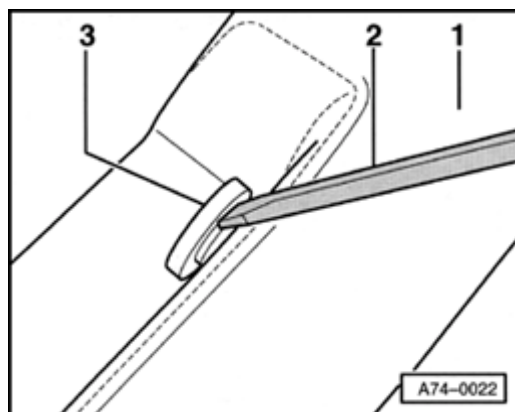
A

**Fig. 2 Disconnecting harness connector for belt tensioner**

- Press catches -2- and disconnect harness connector -1- in direction of arrow.

72-67

### Headrest guide (one-piece rear backrest), removing and installing



A

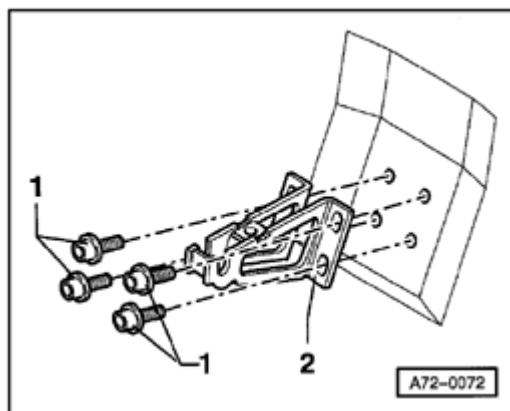
- Using screwdriver -2-, carefully lift headrest guide -3- out of rear backrest -1-.

**Note:**

*Do not damage seat cover when removing headrest guide.*

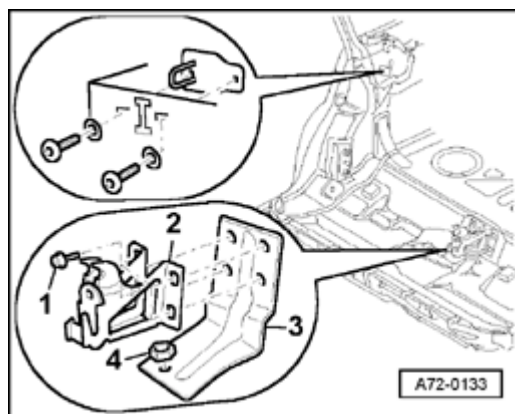
### Center mounting bracket (Sedan and Avant m.y. 1998 ➤), removing and installing

- Remove left and right-rear backrests (Sedan) ⇒ [page 72-60](#) .
  - Remove left and right-rear backrests (Avant) ⇒ [page 72-64](#) .
  - Remove bolts -1- (4x) from center mounting bracket -2-.
- Tightening torque: 16 Nm (12 ft lb)



### Center mounting bracket (Avant ► m.y. 1998), removing and installing

- Remove left and right-rear backrests ⇒ [page 72-62](#).

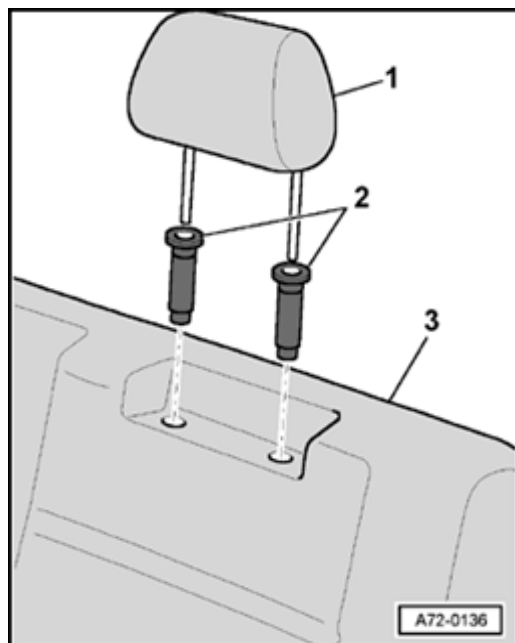
**A**

- Remove bolts -1- (4x) from center mounting bracket -2-.  
Tightening torque: 16 Nm (12 ft lb)
- Center mounting bracket support -3- (only for vehicles with front wheel drive).
- Remove nut -4-.  
Tightening torque: 5 Nm (44 in. lb)

### Headrest, removing and installing

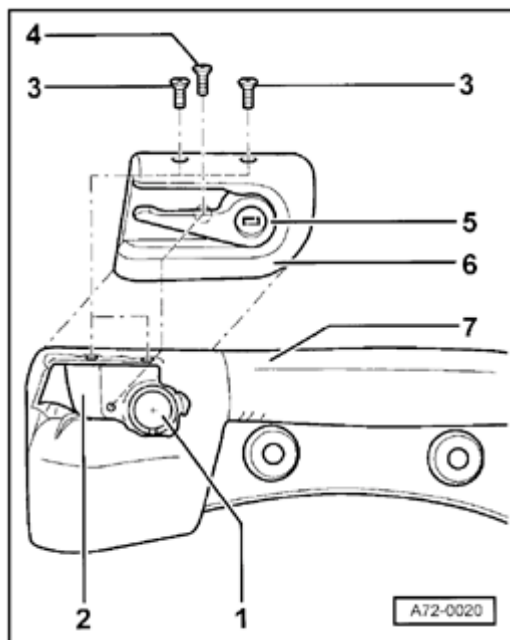
**A**

- Press button on left headrest guide -2-.
- Pull headrest -1- up and off of rear backrest -3-.



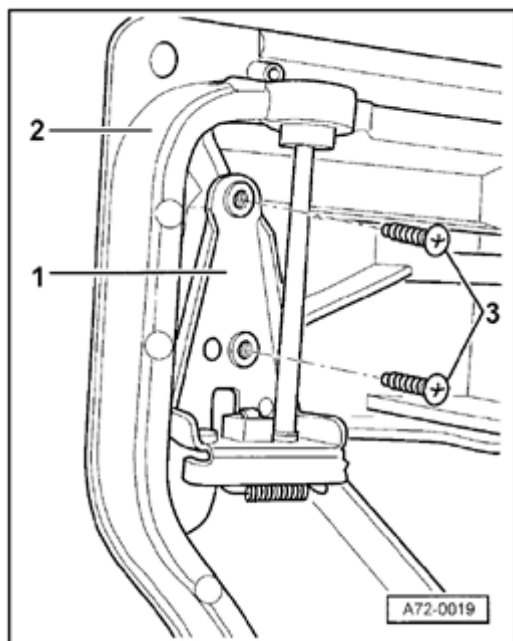
72-71

### Lock for split rear backrest (Sedan and Avant ► m.y. 1998), removing and installing



- Remove screws -3- (2x).
- Push release lever -5- back and remove bolt -4-.
- Remove lock -6- from rear backrest -2-.
- When installing lock -6-, release lever -5- has to engage in groove for release -1-.

72-72



- Remove rear backrest upholstery in area near lock.

**A**

- Remove screws -3- (2x).

- Remove release -1- downward out of rear backrest.



## Lock for split rear backrest (Avant m.y. 1998 ➤), removing

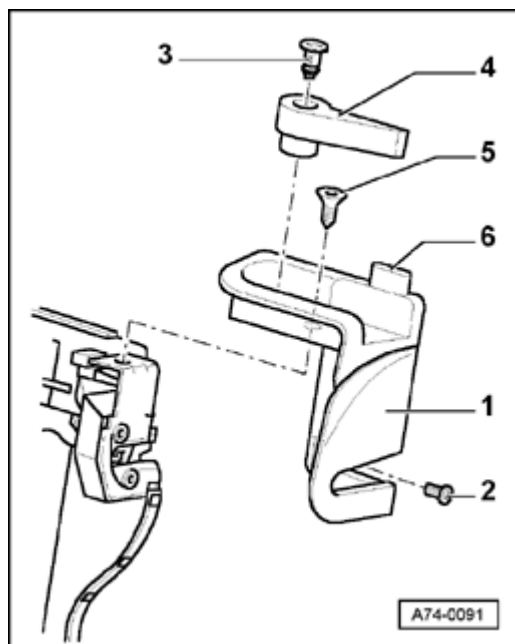
### Removing lock trim

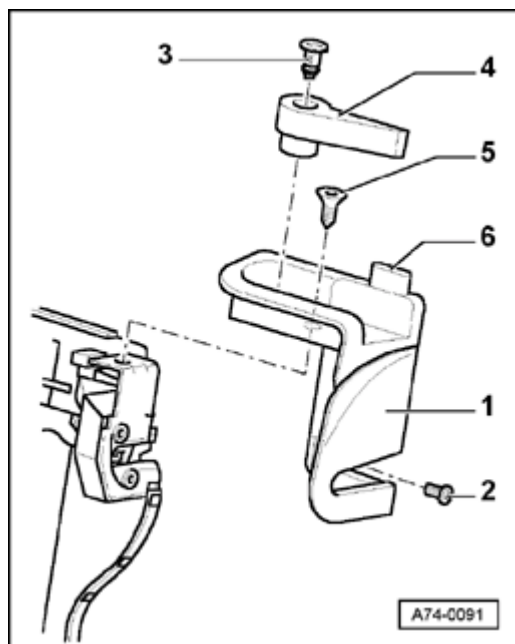
A

- Remove bolt -2-.
- Tightening torque: 1.5 Nm (13 in. lb)
- Remove bolt -5-.
- Tightening torque: 5 Nm (44 in. lb)
- Pull lock trim -1- up and remove.

### Removing lock lever

- Lock trim removed
- Detach lock lever -4- from below from catches (2x).
- Lift up lock lever -4- using screwdriver.





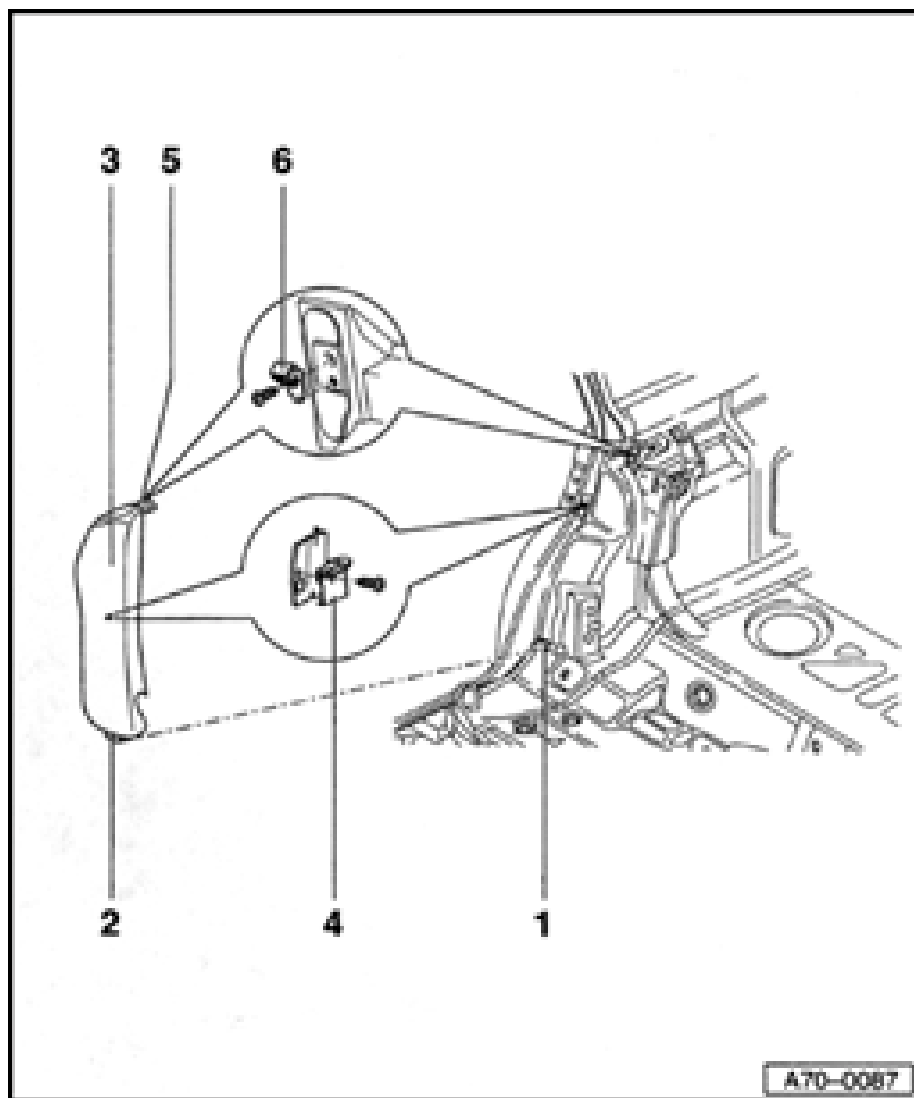
### Removing locking cylinder

A

- Ignition key is required to remove and install locking cylinder -3-
- Locking lever -4- removed
- Using screwdriver, lift catches while simultaneously pressing out locking cylinder -3-.

### Warning indicator

- ◆ When rear backrest is locked, pin -6- is 1-2 mm above lock trim.
- ◆ If rear backrest is not locked, pin -6- is approx. 20 mm above lock trim -1- and a red mark is visible.



## Side bolster, removing and installing

### 1 - Metal tab

- Remove rear seat ⇒ [page 72-57](#) .
- Push backrest forward.
- Bend metal tab open and detach bracket -2-.

### 2 - Bracket

### 3 - Side bolster

### 4 - Hook

- Detach side bolster from hook.

### 5 - Bracket

### 6 - Mounting

- Push upper part of side bolster toward rear and detach bracket from mounting in upward direction.

### Note:

*When installing the side bolster, ensure that bracket -5- engages in retaining clip -6-, and that bolster frame -3- engages in hook -4- on door flange.*