

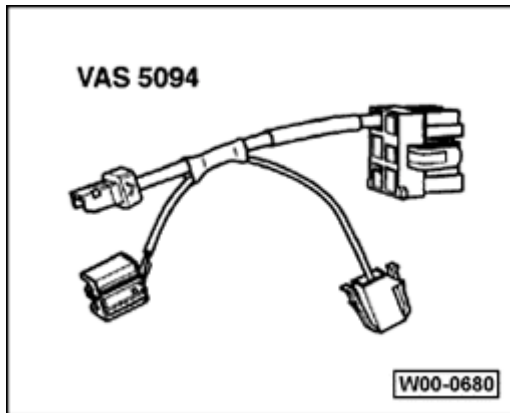
Recaro seat

Special tools and equipment



VAS5094 airbag adapter

Connecting ⇒ [page 72-9](#) .



Recaro seat, removing and installing

WARNING!

Before starting work on seats, connect VAS 5094 airbag adapter ⇒ [page 72-9](#) .

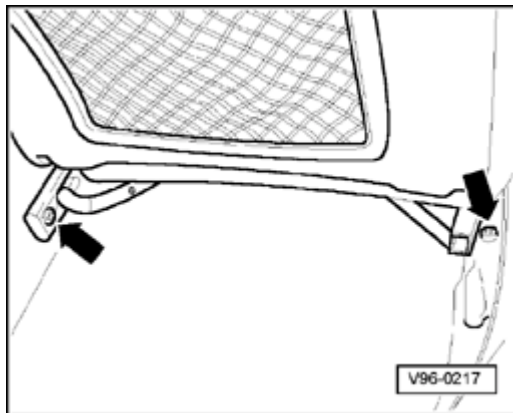
Notes:

- ◆ *Slight changes may have to be made to removal and installation procedures, depending upon equipment installed in vehicle.*
- ◆ *For memory and power seats, move seat fully up and back before disconnecting the battery.*
- ◆ *Before disconnecting the battery, determine the radio code.*

WARNING!

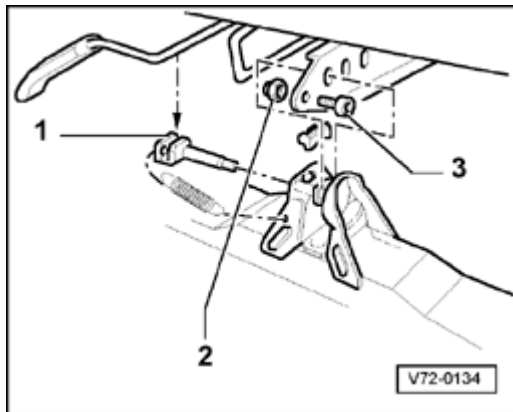
Disconnect battery Ground (GND) strap before removing seat.

- Push seat forward.



A

- Remove cap (right arrow) and remove Phillips-head screw located under cap.
- Remove screw (left arrow) and remove stopper toward rear.



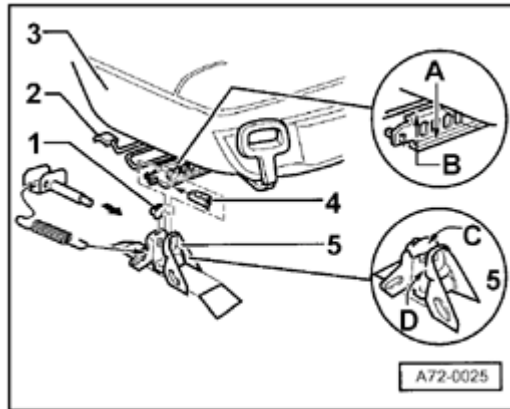
A

- Remove cap nut -2- and socket-head screw -3-.
- Tightening torque: 8 Nm (71 in. lb)
- Release retaining rod -1- and pull seat toward rear out of guide rails.

Note:

The attachment with socket-head screw -3- is replaced by a stop spring as a running change.

72-27



A

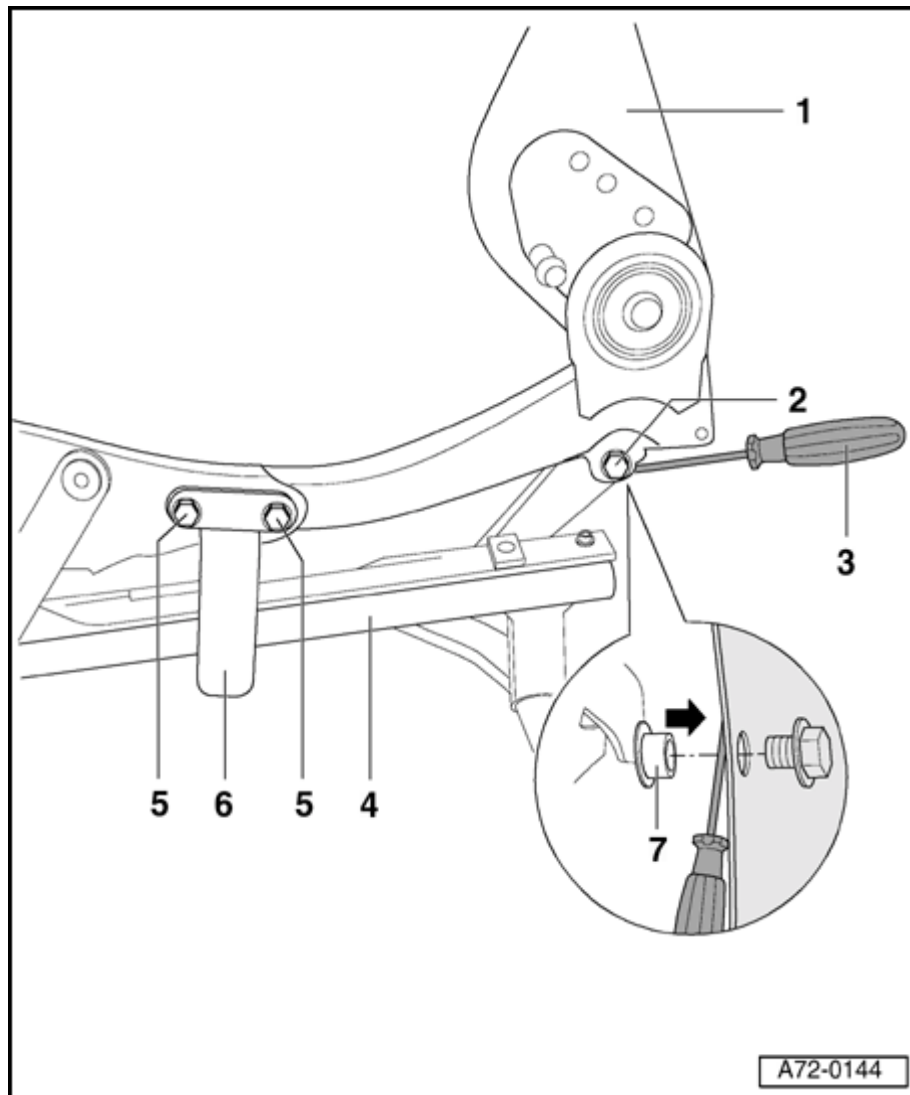
- Unclip stop spring -4-.
- Pull release lever up and push out seat -3- to rear.

Note:

For vehicles with heated seats, disconnect the harness connector.

CAUTION!

When sliding seat out of guide rails, ensure that the carpet is not ripped.



Backrest, removing and installing

WARNING!

Before starting work on seats, connect VAS 5094 airbag adapter ⇒ [page 72-9](#) .

Note:

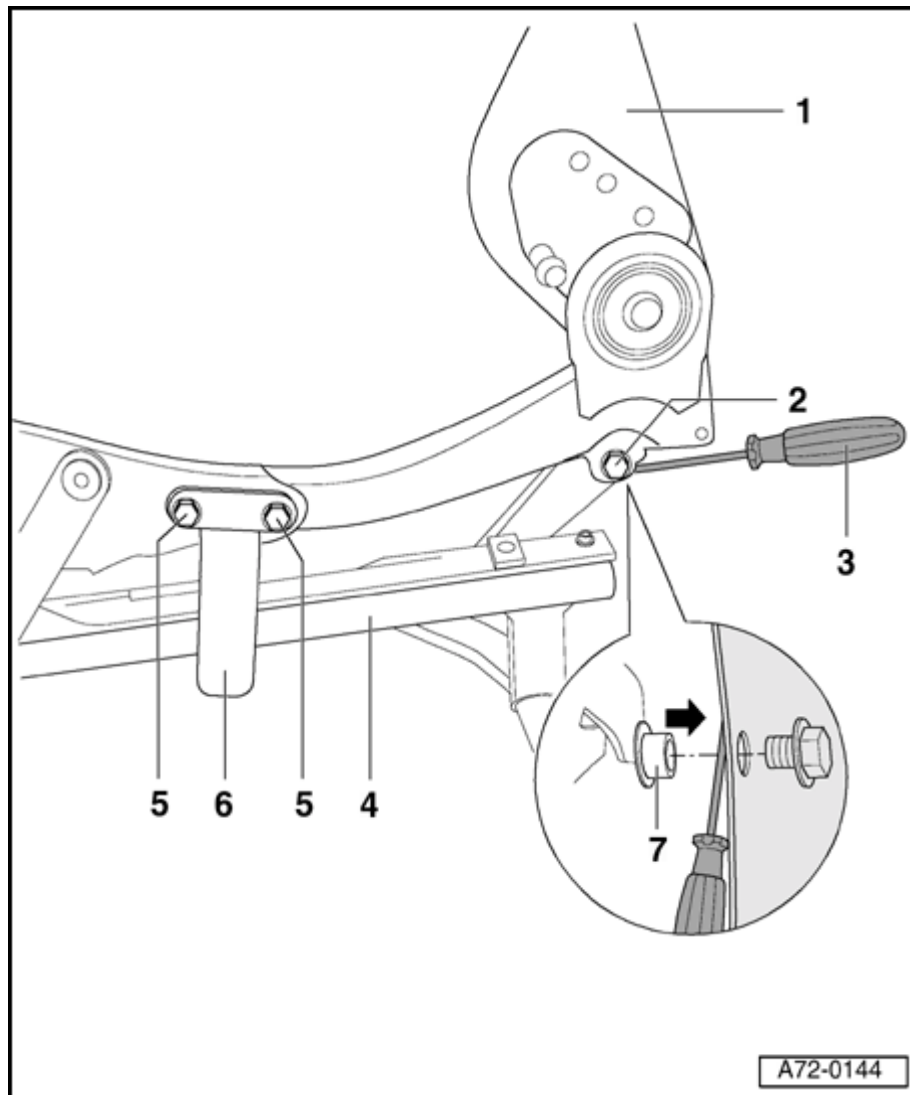
Seat is shown without upholstery and from the door sill side in illustration.

1 - Backrest frame

Removing:

- Remove seat ⇒ [page 72-25](#) .
- Remove side seat trim panels ⇒ [page 72-36](#) .
- Remove seat cushion ⇒ [page 72-32](#) .
- Disconnect harness connector to backrest heater element ⇒ [page 74-29](#) .
- Disconnect purple/yellow side airbag harness connector ⇒ [page 69-81](#) .
- Remove bolts -2- (2x).
- Remove bolts -5- (4x).
- Using screwdriver -3-, detach backrest frame -1- at securing points.

72-29



Installing:

Note:

Always replace bolts -2- and -5-.

- Install bushing -7- on both sides of rear securing points of backrest so collar faces toward inside.
- Slide backrest frame -1- from rear into seat frame -4-.
- Install bolts -2- and -5-, but do not tighten.
- Tighten bolts -2- and -5-.

2 - Bolts (2x)

- ◆ 23 Nm (17 ft lb)

3 - Screwdriver

4 - Seat frame

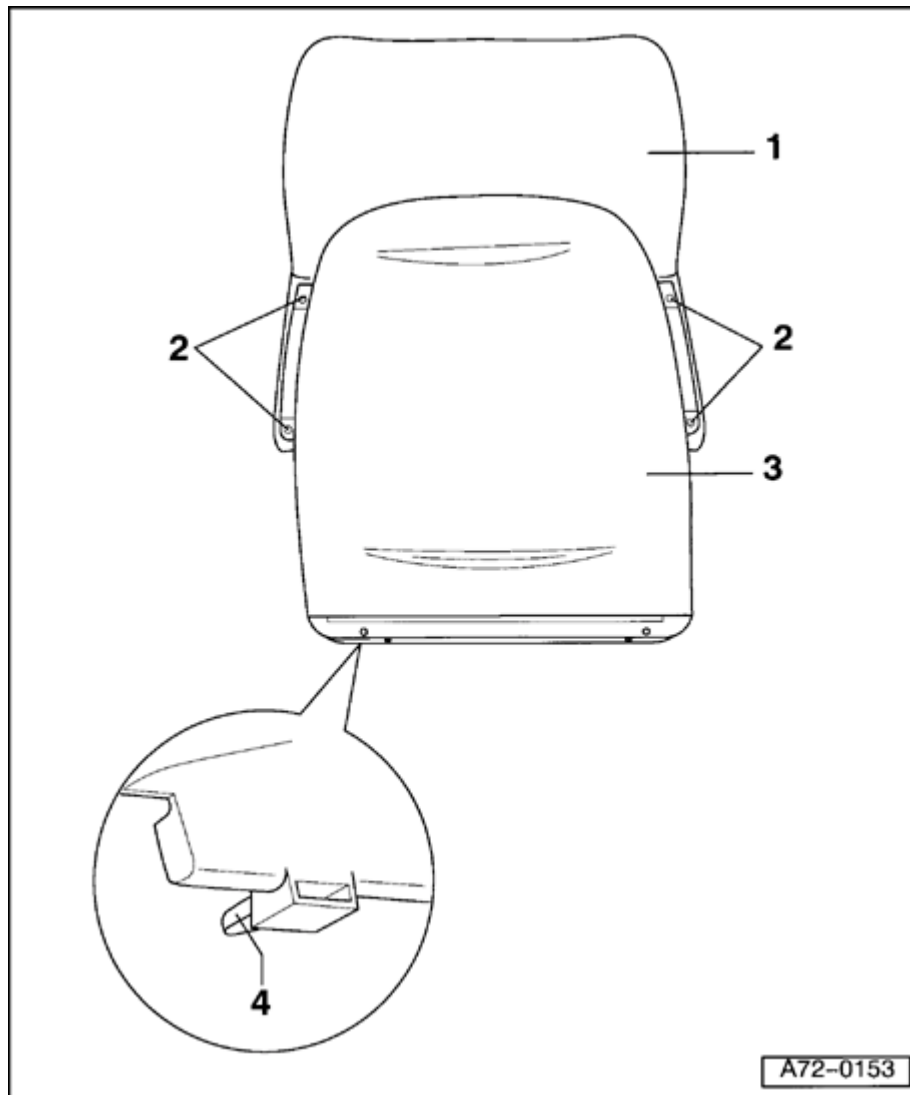
5 - Bolts(4x)

- ◆ 23 Nm (17 ft lb)
- ◆ Door sill side longer than tunnel side

6 - Bracket

- ◆ Only on door sill side

7 - Bushings (2x)



Backrest shell, removing and installing

WARNING!

Before starting work on seats, connect VAS 5094 airbag adapter ⇒ [page 72-9](#) .

1 - Backrest

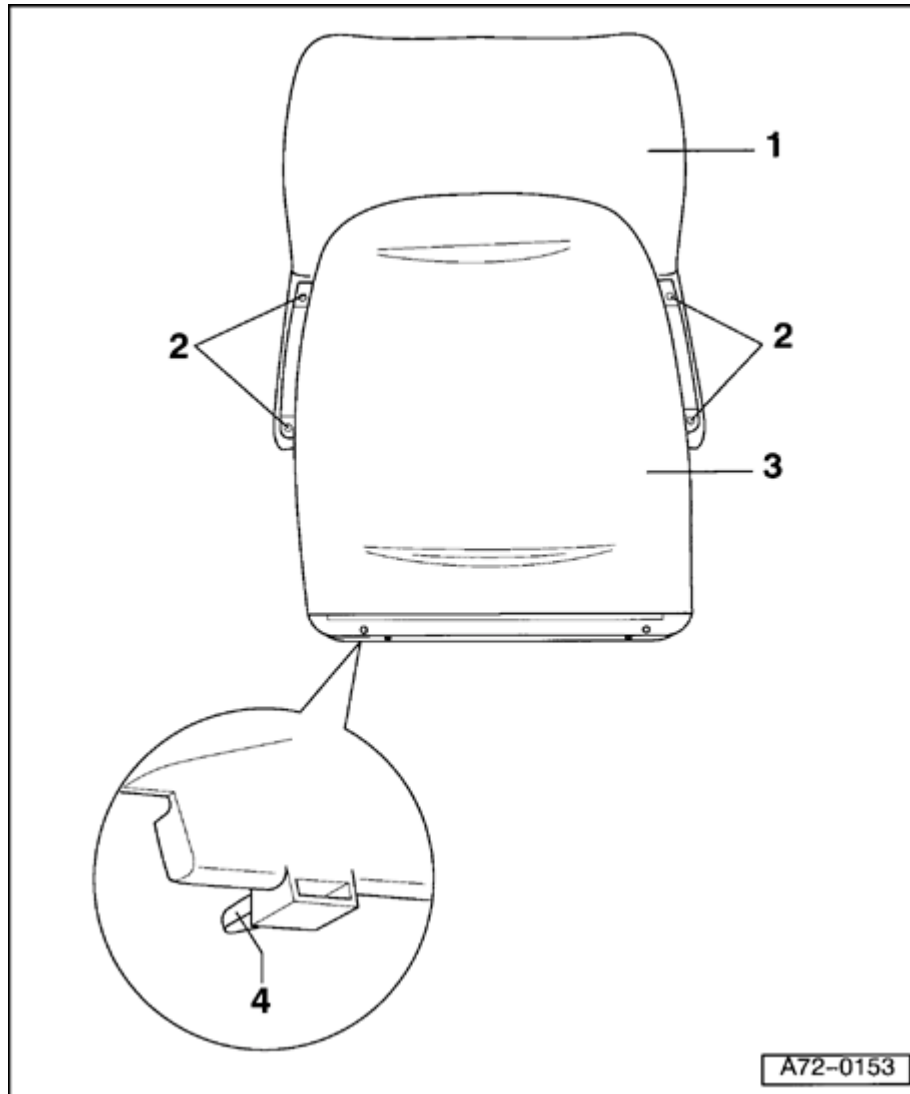
1 - Bolts (4x)

2 - Backrest shell

Removing:

- Move seat fully up.
- Remove seat ⇒ [page 72-25](#) .
- Remove trim panels ⇒ [page 72-41](#) .
- Remove side airbag module ⇒ [page 69-81](#) .
- Remove backrest upholstery ⇒ [page 74-22](#) .
- Remove spring cover ⇒ [page 72-43](#) .
- Unbolt bolts -2- (4x) on side of backrest shell -3-.
- Place seat so backrest shell -3- is accessible from below.
- Push both clips -4- on bottom of backrest shell -3- slightly toward each other.

72-31

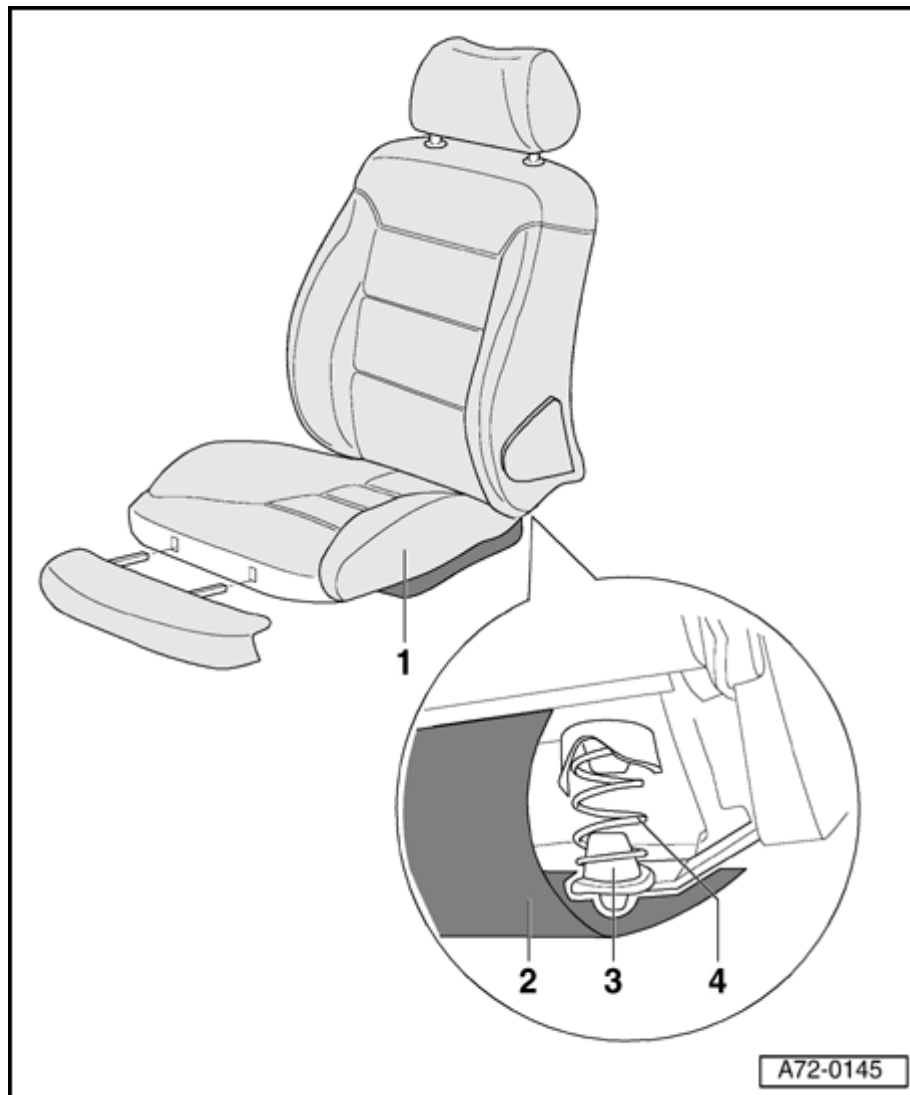


- Detach backrest shell from seat -3- from below.
- Remove backrest shell -3- up and out.

Installing:

- Attach backrest shell -3- at upper part of backrest -1-.
- Push backrest shell -3- down until clips -4- engage.
- Tighten bolts -2- (4x).

3 - Clips (2x)



Seat cushion, removing and installing

WARNING!

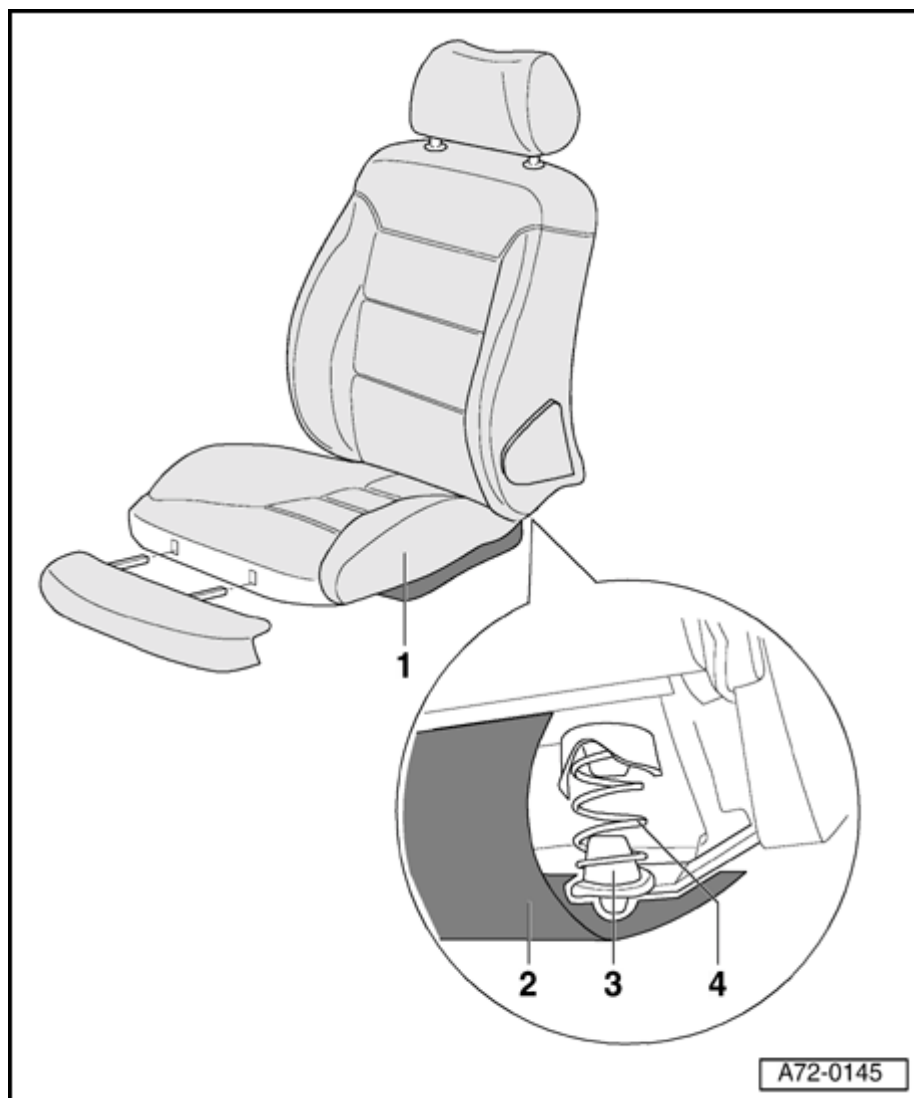
Before starting work on seats, connect VAS 5094 airbag adapter ⇒ [page 72-9](#) .

1 - Seat cushion

Removing:

- Move seat fully up.
- Remove seat ⇒ [page 72-25](#) .
- Remove seat cushion extension, front cover panel and guide sleeves ⇒ [page 72-34](#) .
- Remove trim panels ⇒ [page 72-41](#) .
- Remove spring cover ⇒ [page 72-43](#) .
- Detach electrical cover -2- under seat.
- If installed, disconnect seat cushion wiring (seat heater, seat-occupied sensor).
- Push up front of seat cushion -1-.
- Remove seat cushion -1- forward and out.

72-33

**Note:**

Both seat springs and their related rubber buffers located in the rear between the seat cushion and the backrest fall out by themselves.

Installing:

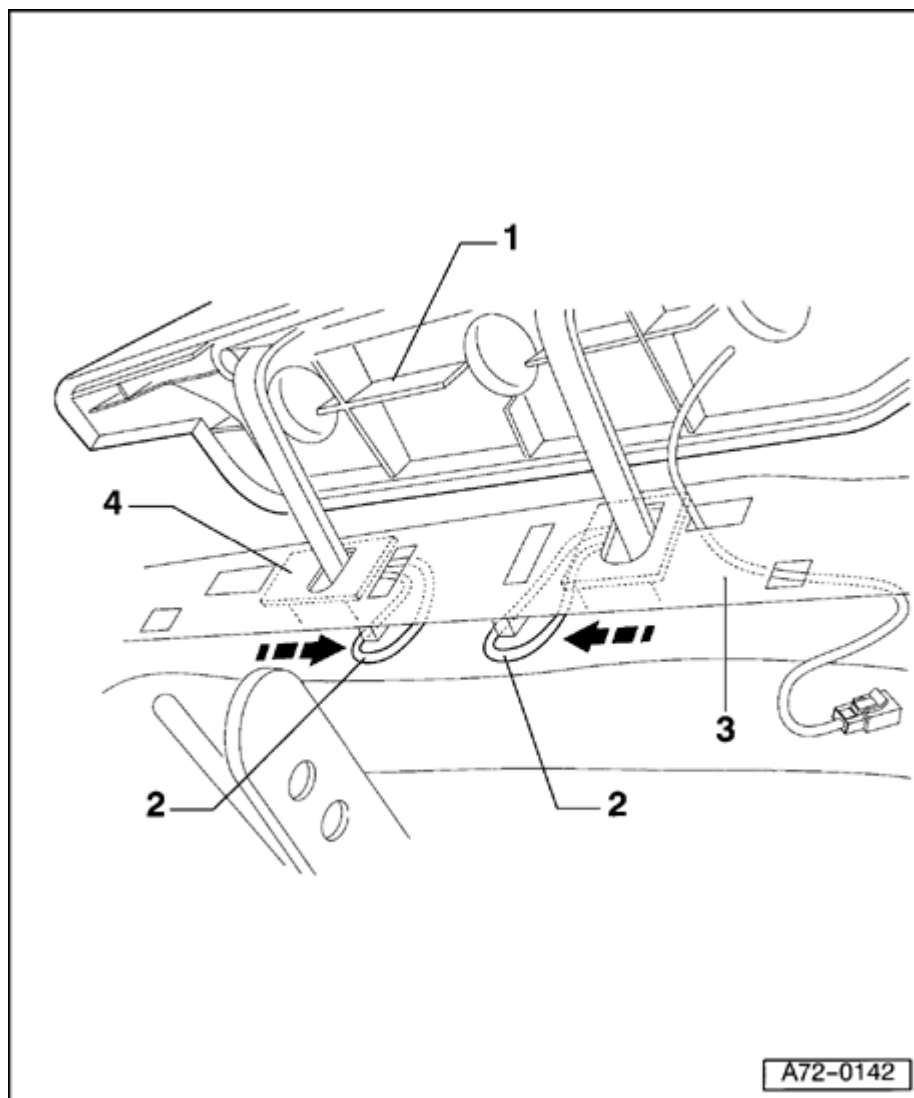
- Ensure rubber buffers 3 are correctly located in mountings on backrest.
- Install springs -4- in seat cushion.
- Insert electrical cover -2- between backrest and seat cushion.
- Install seat cushion -1- so springs -4- sit on rubber buffers -3- at backrest.
- Push seat cushion -1- toward rear.
- Push down on front of seat cushion -1-.
- If necessary, attach wiring in seat cushion.
- Install electrical cover beneath seat.

2 - Electrical cover

3 - Rubber buffers (2x)

4 - Springs (2x)

72-34



Seat cushion extension, removing and installing

WARNING!

Before starting work on seats, connect VAS 5094 airbag adapter ⇒ [page 72-9](#) .

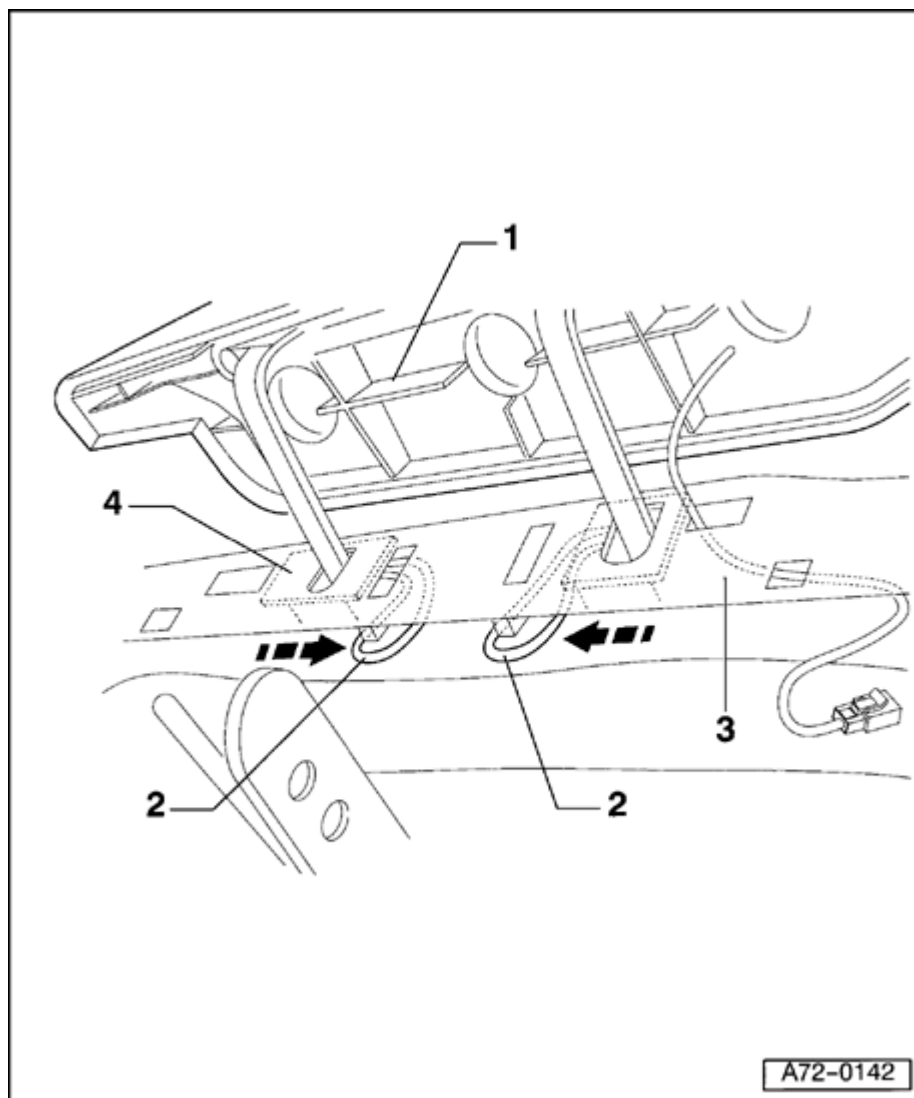
1 - Seat cushion extension

Removing:

- Move seat fully up.
- Remove seat ⇒ [page 72-25](#) .
- Using pliers or screwdriver push both springs -2- inward (arrow).
- Remove seat cushion extension -1-.
- If necessary, disconnect seat heater wiring on both sides.
- Pull front cover -3- up and pull cable through.

2 - Springs (2x)

72-35



3 - Front cover

Removing:

- If necessary (e.g. when removing seat cushion), remove cover completely.

Installing:

- Insert seat heater cable harness connectors through holes on both sides of cover -3- and connect harness connectors.
- Attach cover.

4 - Guide sleeves (2x)

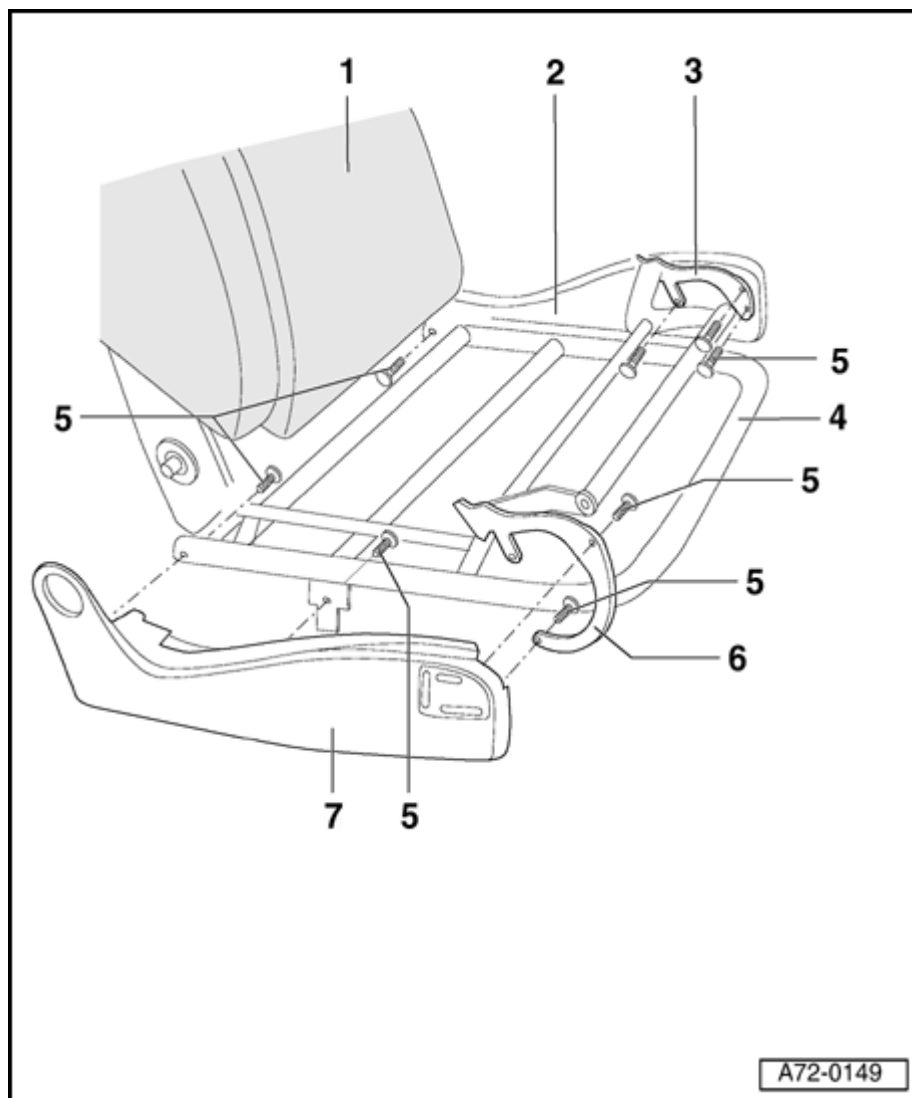
Removing:

- If necessary (e.g. when removing seat cushion), push guide sleeves -4- together with groove-lock pliers and pull guide sleeves out.

Installing:

Note:

Always replace guide sleeves when installing.



Side seat trim, removing and installing

WARNING!

Before starting work on seats, connect VAS 5094 airbag adapter ⇒ [page 72-9](#) .

1 - Backrest

2 - Side seat trim, tunnel side

Note:

It is not necessary to disconnect any wiring when removing side seat trim on tunnel side. Remainder of removal procedure is identical to removal of side seat trim on door sill side.

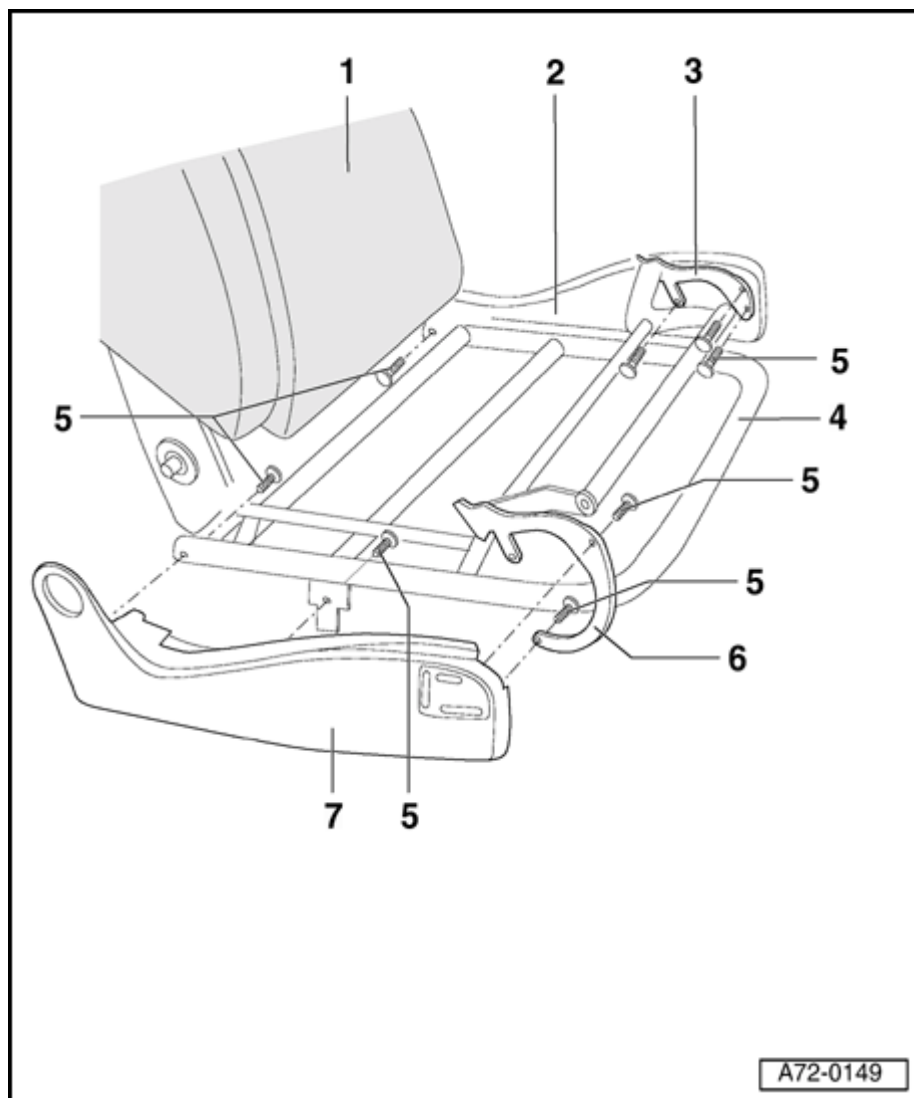
3 - Bracket for side seat trim, tunnel side

4 - Seat frame

5 - Bolts (4x per trim piece)

6 - Bracket for side seat trim, door sill side

72-37



7 - Side seat trim, door sill side

Removing:

- Move seat fully down.
- Remove seat ⇒ [page 72-25](#) .
- Remove mounting trim ⇒ [page 72-41](#) .
- Remove seat cushion ⇒ [page 72-32](#) .
- Rotate belt buckle downward.
- Disconnect all harness connectors that run from circuit board to side seat trim on door sill side.
- Cut all tie wraps on wiring harness using diagonal cutter.
- Unbolt bolts -5- (4x) on side seat trim.

Installing:

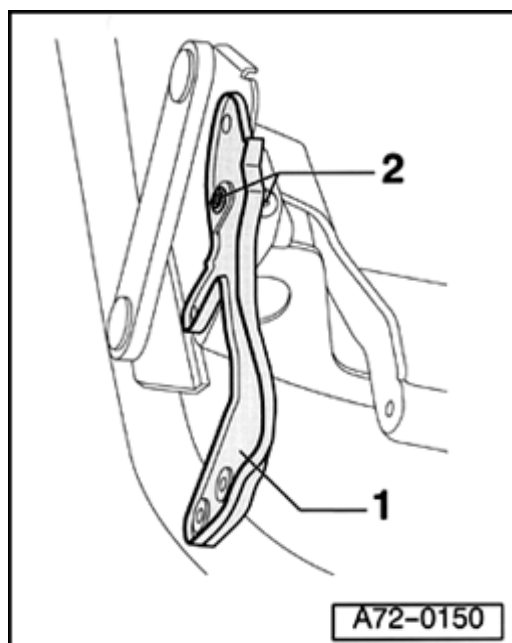
- Attach trim on lower mounting of backrest frame.
- Secure side seat trim with bolts -4- (4x).

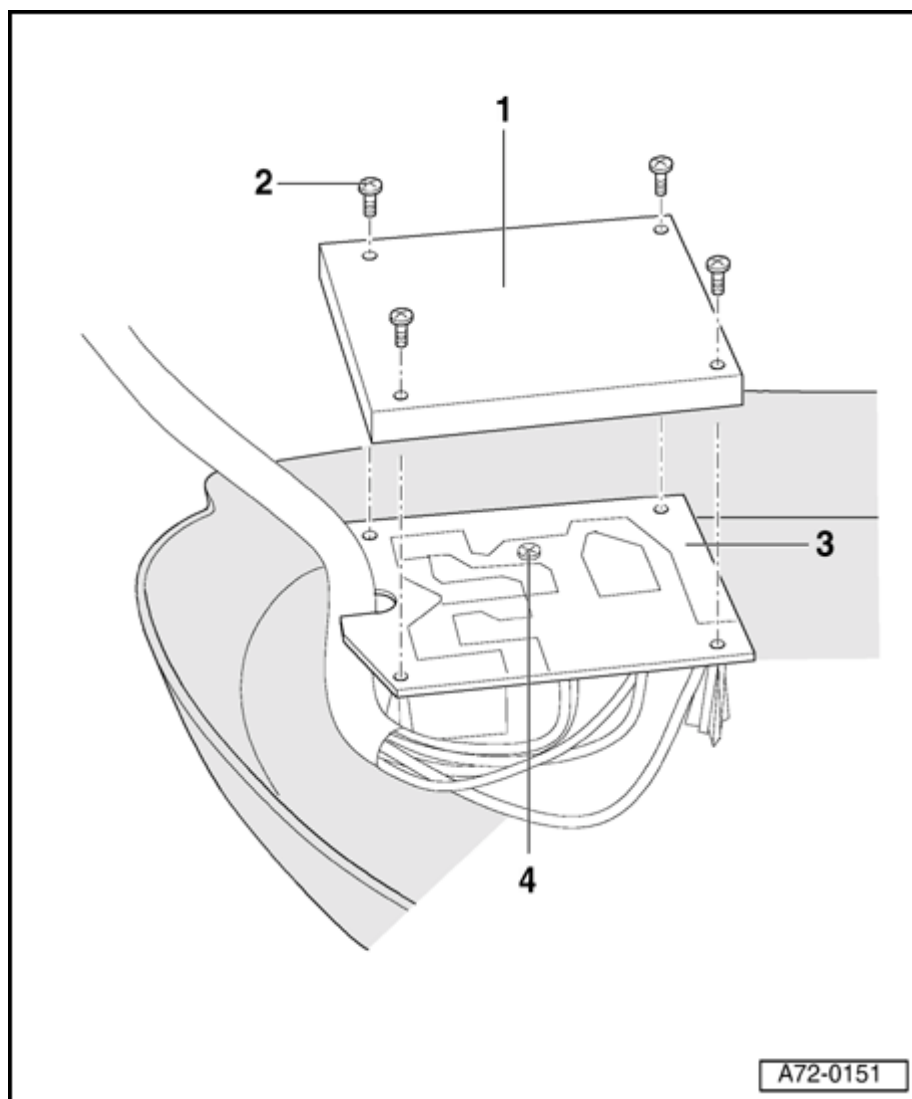
Side seat trim bracket, removing and installing

WARNING!

Before starting work on seats, connect VAS 5094 airbag adapter ⇒ [page 72-9](#) .

- Move seat to upper-most position.
- Remove seat ⇒ [page 72-25](#) .
- Remove side seat trim ⇒ [page 72-36](#) .
- A** - Drill through both rivets -2- at front of side seat trim bracket -1- and remove bracket.





Switch unit circuit board, removing and installing

WARNING!

Before starting work on seats, connect VAS 5094 airbag adapter ⇒ [page 72-9](#).

CAUTION!

Only the switch circuit board can be removed. The switches in the side seat trim cannot be replaced separately.

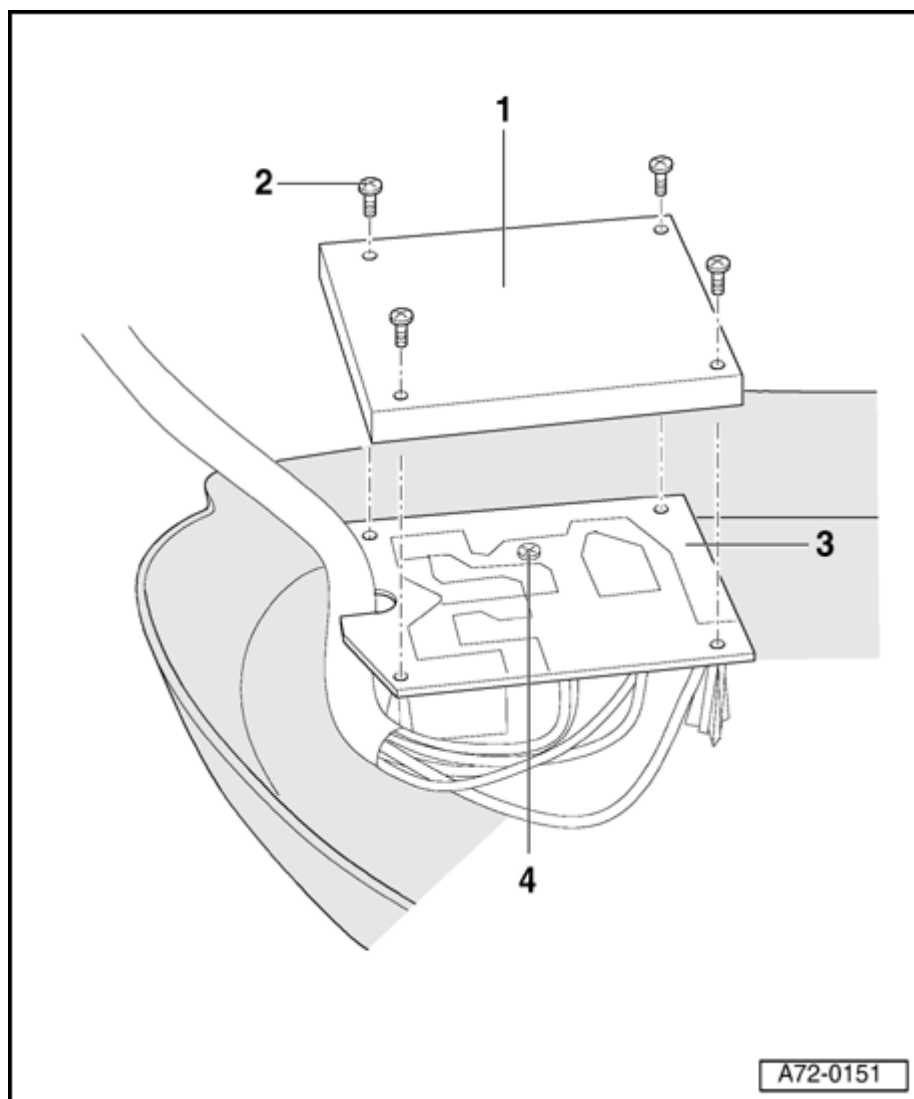
Note:

The switch unit circuit board is installed in the side seat trim on door sill side.

1 - Plastic cover

2 - Bolts (4x)

72-40



3 - Switch unit circuit board with wiring harness

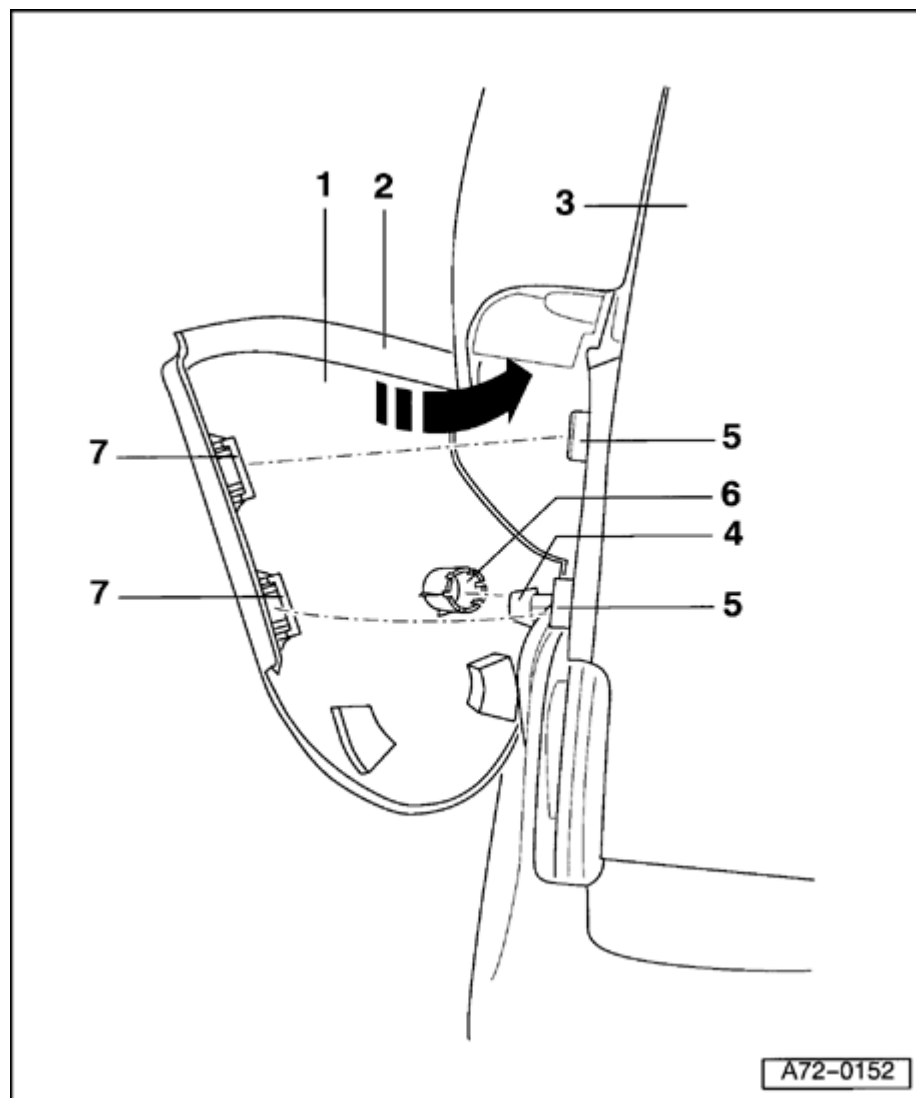
Removing:

- Move seat to bottom-most position.
- Remove seat ⇒ [page 72-25](#) .
- Remove door sill side seat trim ⇒ [page 72-36](#) .
- Cut all tie wraps on wiring harness using diagonal cutter.
- Disconnect all wiring harness connectors to circuit board.
- Remove bolts -2- (4x) at plastic cover -1- located above circuit board -3-.
- Remove plastic cover -1-.
- Remove bolt -4-.
- Carefully remove circuit board.

Installing:

- Carefully install circuit board so circuit board contacts seat correctly on contacts for switch located in side seat trim.

4 - Bolt (1x)



Mounting trim, removing and installing

WARNING!

Before starting work on seats, connect VAS 5094 airbag adapter ⇒ [page 72-9](#) .

1 - Mounting trim

Removing:

- Remove seat ⇒ [page 72-25](#) .
- Remove mounting trim -1- downward, so pins -4- and tabs -5- are pulled out of catches -6- and -7-.
- Pull out mounting trim -1-.

Installing:

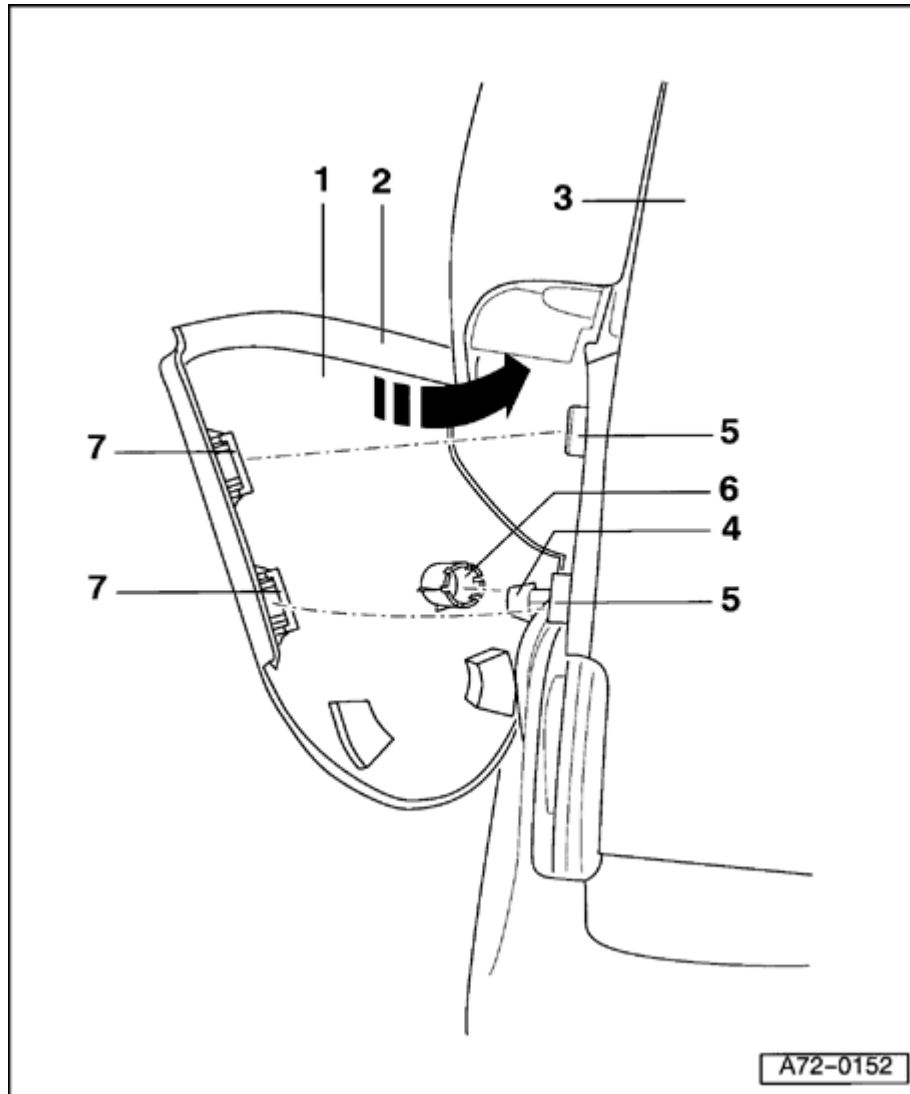
- On same side of side airbag unit, insert insertion edge -2- under side airbag module in direction of arrow.
- Install mounting trim evenly so pins -4- and tabs -5- engage in catches -6- and -7-.

2 - Insertion edge

- ◆ Only on same side of side airbag module

3 - Backrest

72-42

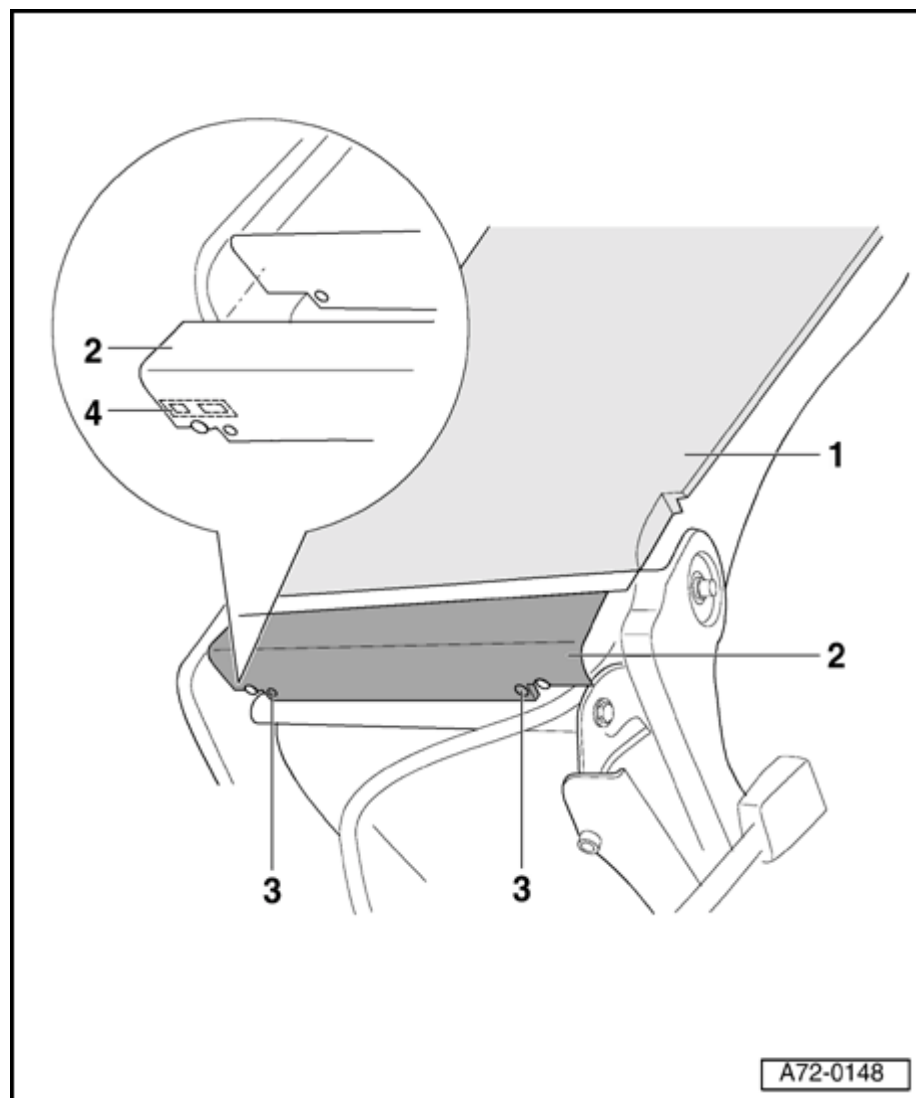


4 - Pins

5 - Clip

6 - Pin catch

7 - Tab catches



Spring cover, removing and installing

WARNING!

Before starting work on seats, connect VAS 5094 airbag adapter ⇒ [page 72-9](#) .

1 - Backrest

2 - Spring cover

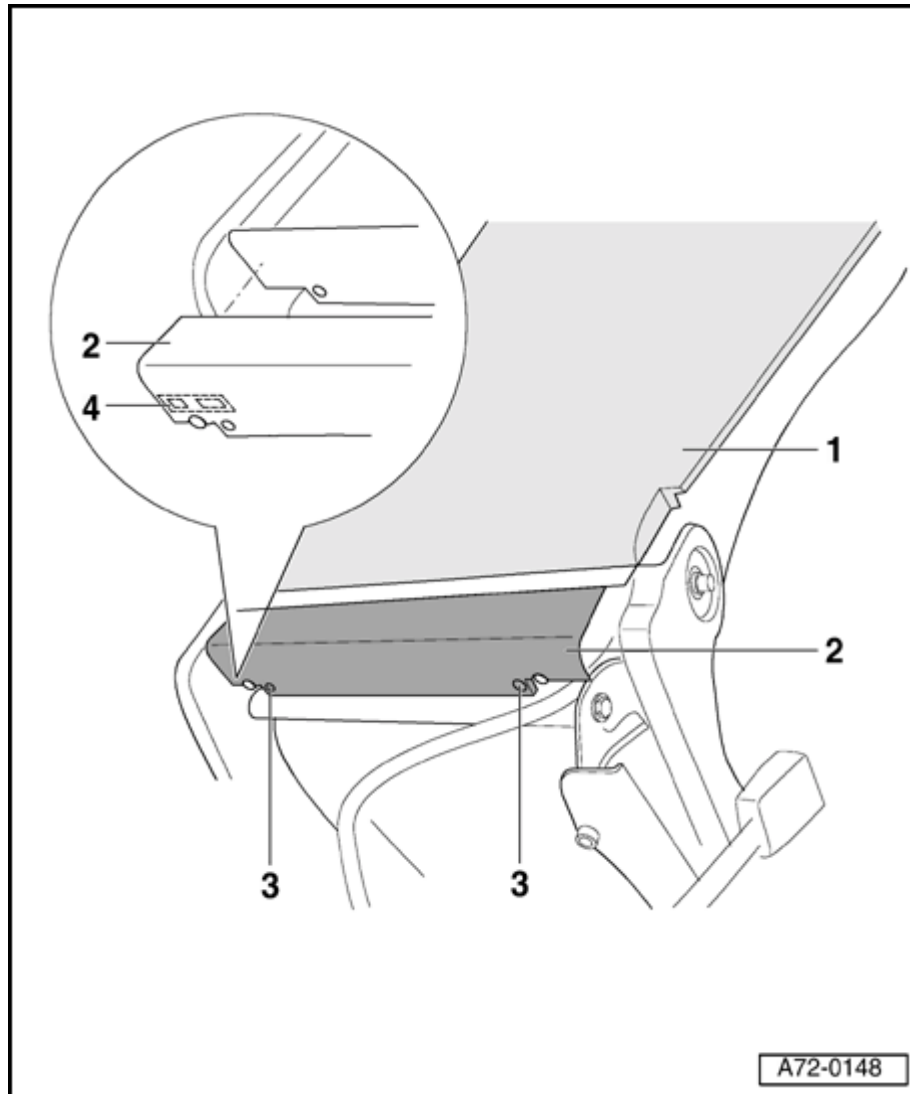
Removing:

- Move seat fully up.
- Unbolt two bolts -3- on left and right of spring cover -2-.
- Pull off spring cover -2- from right-side of seat.
- Then pull spring toward right so clip -4- detaches from left-side of spring cover.
- Remove spring cover -2- from seat.

Installing:

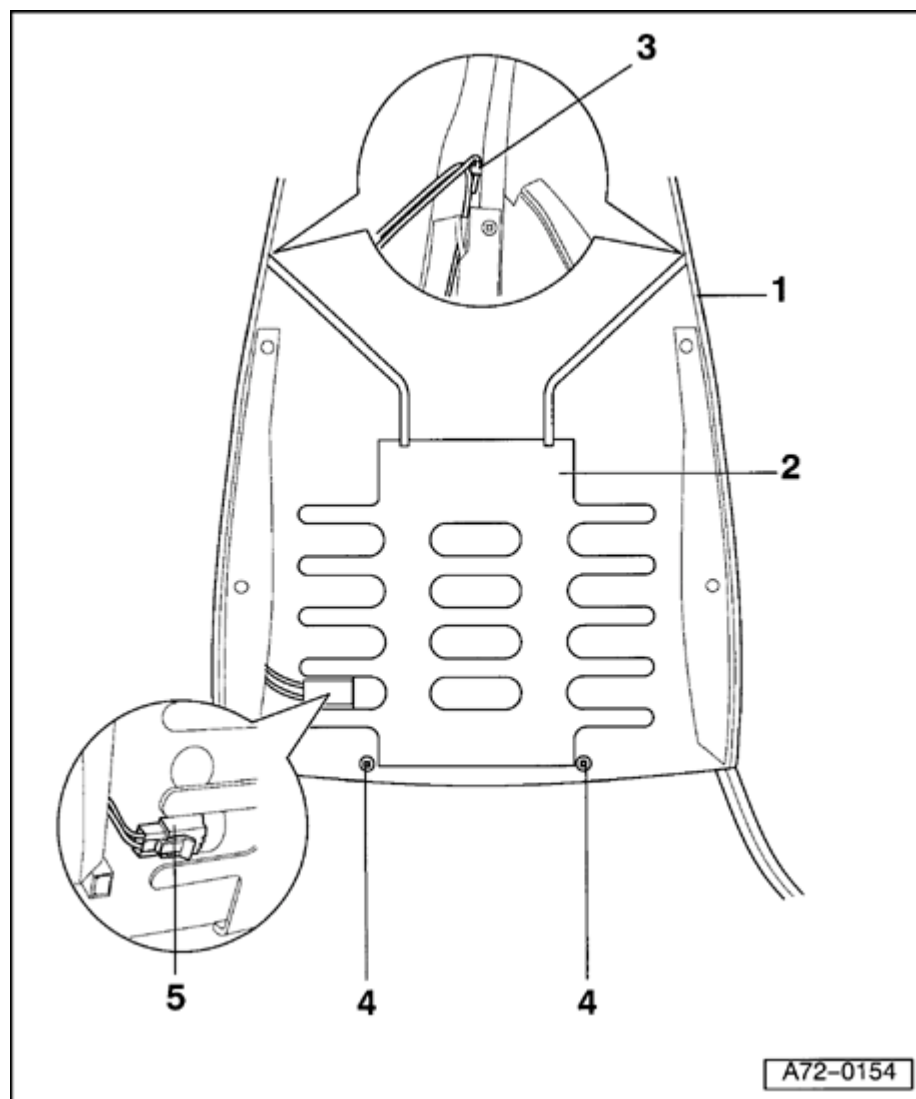
- Install left side of spring cover -1- with clip -4-.
- Push spring cover -2- onto right-side until it engages.
- Tighten both bolts -3-.

72-44



3 - Bolts (2x)

4 - Clip



2-way lumbar support, removing and installing

WARNING!

Before starting work on seats, connect VAS 5094 airbag adapter ⇒ [page 72-9](#) .

1 - Backrest frame

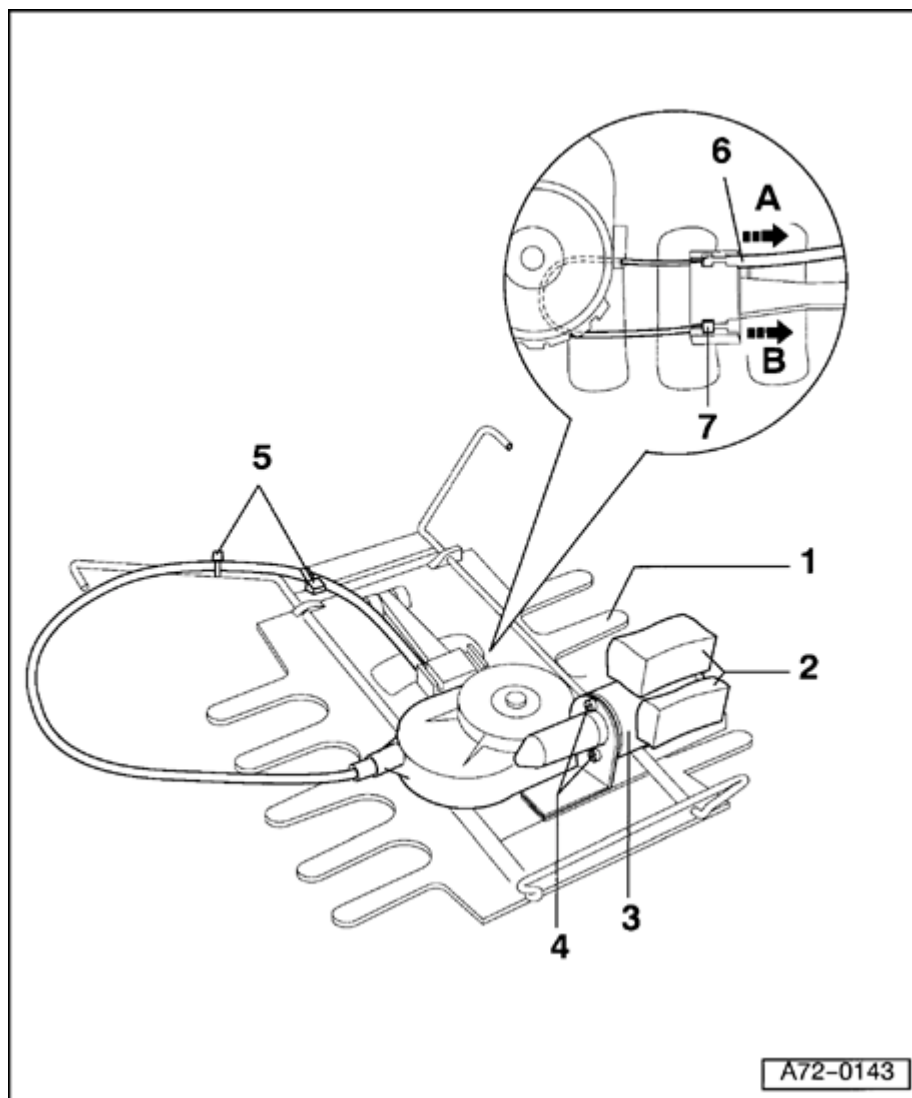
2 - 2-way lumbar support

- Remove seat ⇒ [page 72-25](#) .
- Remove backrest upholstery ⇒ [page 74-22](#) .
- Disconnect harness connector for lumbar support motor -5-.
- Remove bolts -4- (2x).
- Remove bolts -4- (2x).

3 - Retaining hook

4 - Bolts (2x)

5 - Harness connector for lumbar support motor



Lumbar support motor with transmission, removing and installing

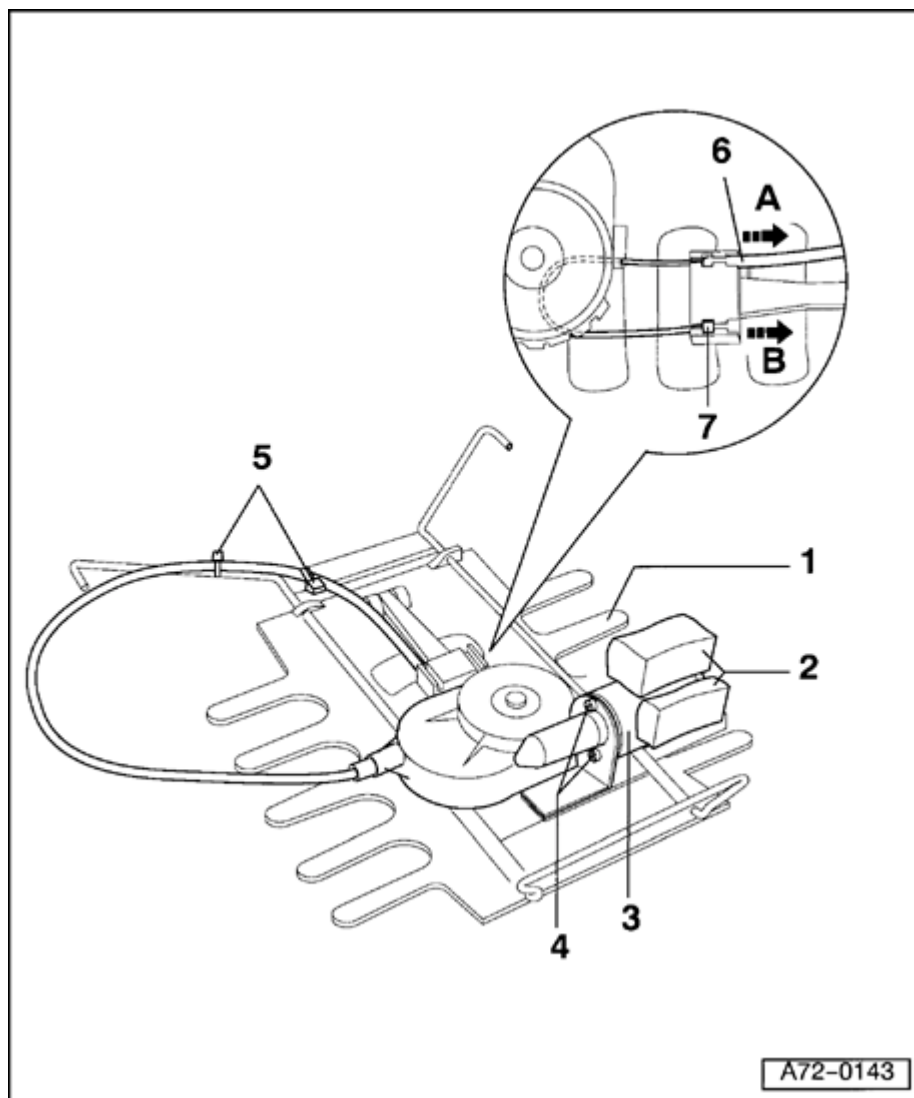
WARNING!

Before starting work on seats, connect VAS 5094 airbag adapter ⇒ [page 72-9](#).

1 - Lumbar support body

2 - Foam pieces (2x)

- ◆ If not available as a replacement part, detach foam pieces from old motor and attach to new motor



3 - Motor with transmission and Bowden cable

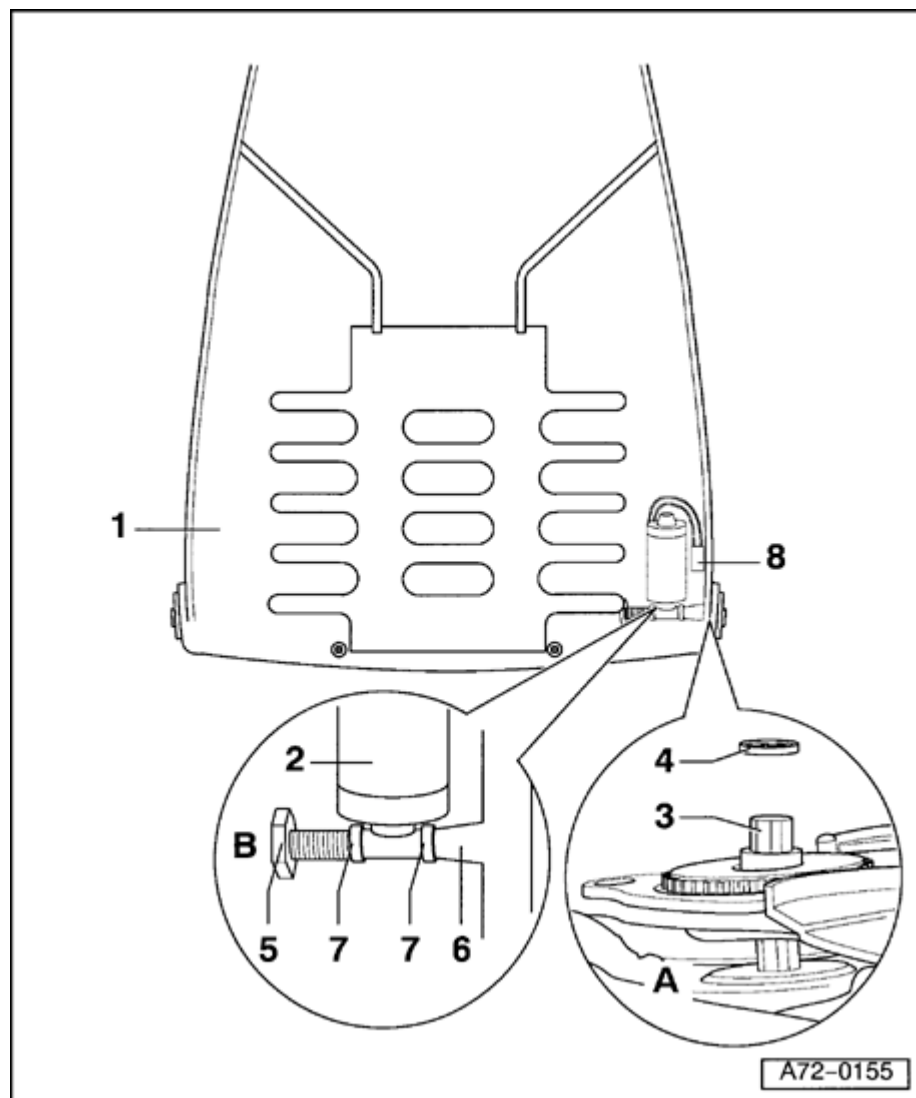
- Remove seat ⇒ [page 72-25](#) .
- Remove 2-way lumbar support ⇒ [page 72-45](#) .
- Cut tie wraps -5- (2x).
- Push lumbar support body together.
- Pull Bowden cable -6- in direction of arrow -A-.
- Detach Bowden cable -6- at pulley.
- Pull set pin -7- in direction of arrow -B- out of bracket.
- Remove bolts -4- (2x).

4 - Bolts (2x)

5 - Tie wraps

6 - Bowden cable

7 - Set pin



Backrest motor with transmission, removing and installing

WARNING!

Before starting work on seats, connect VAS 5094 airbag adapter ⇒ [page 72-9](#) .

Note:

Illustration only shows backrest.

1 - Backrest frame

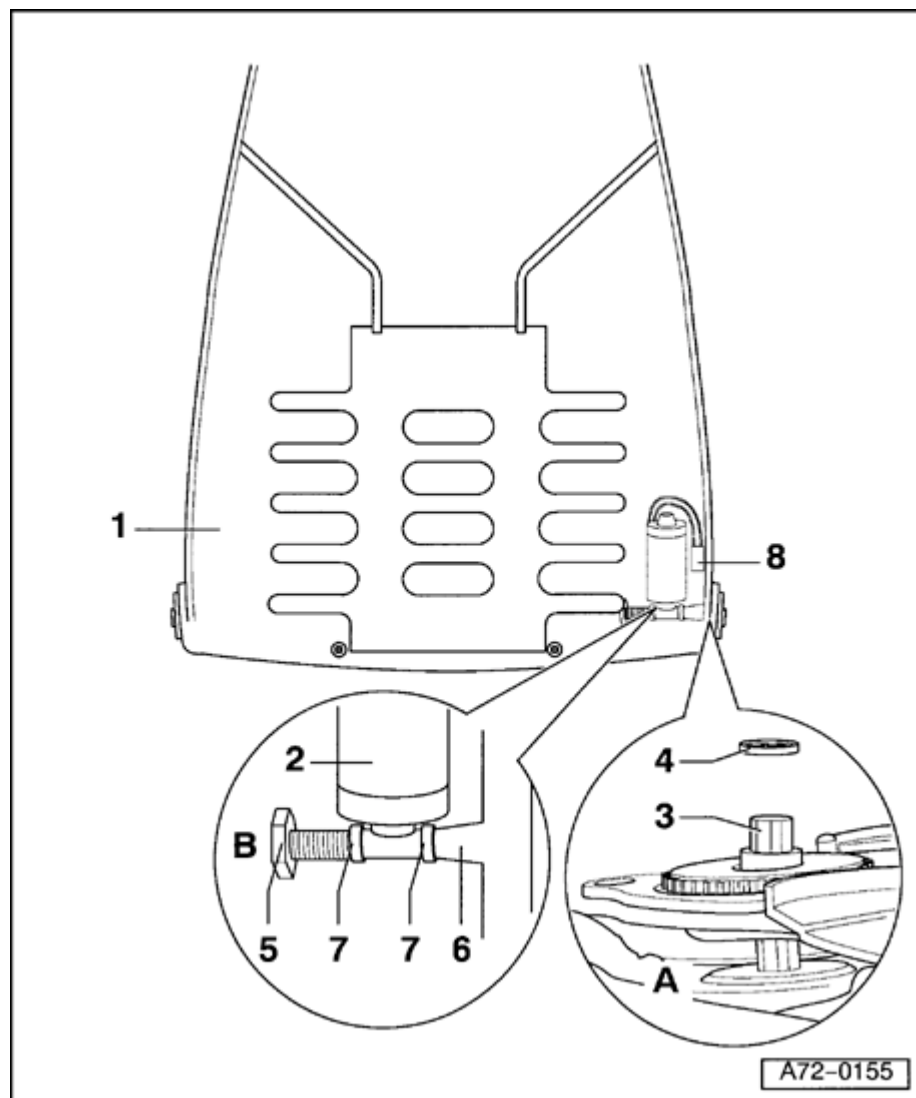
2 - Backrest motor with transmission

Removing:

- Move seat fully up.
- Remove seat ⇒ [page 72-25](#) .
- Remove trim panels ⇒ [page 72-41](#) .
- Remove backrest upholstery ⇒ [page 74-22](#) .
- Using screwdriver, remove spring washer -5- on backrest motor side (-B- in illustration).
- Pull shaft out of backrest frame -1- far enough so backrest motor -2- can be removed.
- Cut all tie wraps on backrest motor using

diagonal cutter.

72-49



- Disconnect harness connector -8-.
- Unbolt mounting screw of backrest motor -5- from welded threaded bushing -6-.
- Remove backrest motor -2-.

Installing:

- Push shaft -3- through backrest motor -2- and backrest frame -1-.
- Secure backrest motor -2- between two plastic washers -7- using mounting screw -5- on threaded bushing -6-.
- Tap locking washer -4- onto shaft -3-.

3 - Shaft

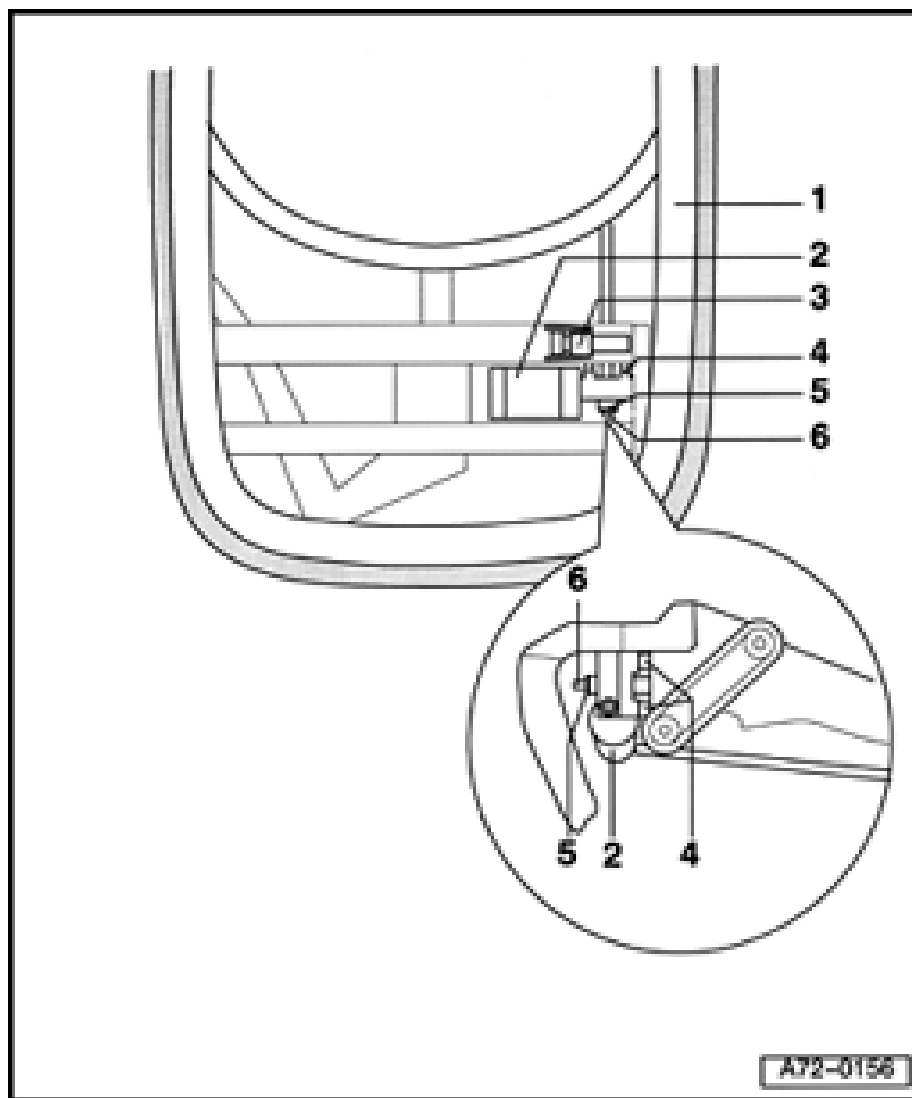
4 - Locking washer

5 - Mounting screw

6 - Threaded bushing

7 - Plastic washers (2x)

8 - Harness connector



Motor for seat height adjustment, removing and installing

WARNING!

Before starting work on seats, connect VAS 5094 airbag adapter ⇒ [page 72-9](#) .

1 - Seat frame

2 - Seat height motor adjustment

Removing:

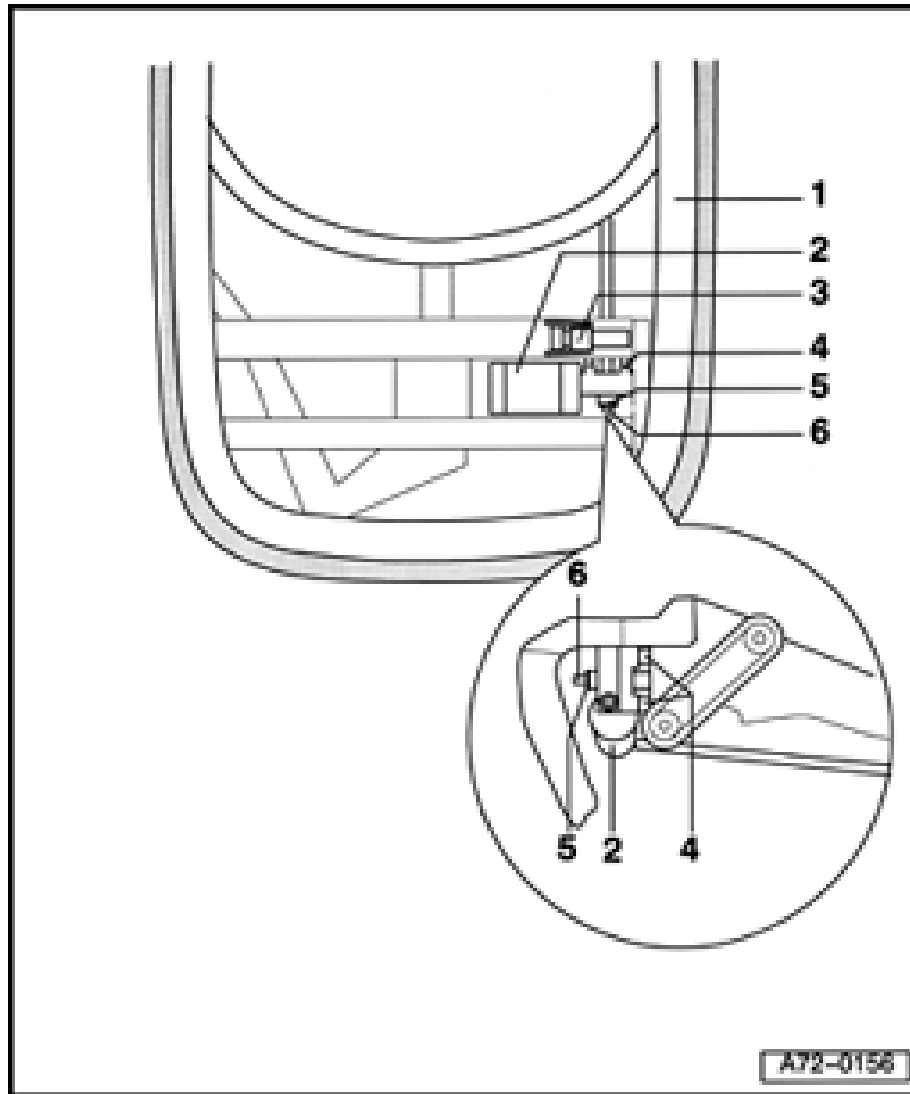
- Move seat fully up.
- Remove seat ⇒ [page 72-25](#) .
- Remove seat cushion ⇒ [page 72-32](#) .
- Disconnect harness connector -3-.
- Disconnect harness connector -3- housing from seat frame.
- Using screwdriver, lift locking washer -5- from shaft -6-.
- Remove motor -2-.

Installing:

Note:

Ensure that bushings -4- are correctly seated in the seat frame.

72-51



3 - Harness connector for motor

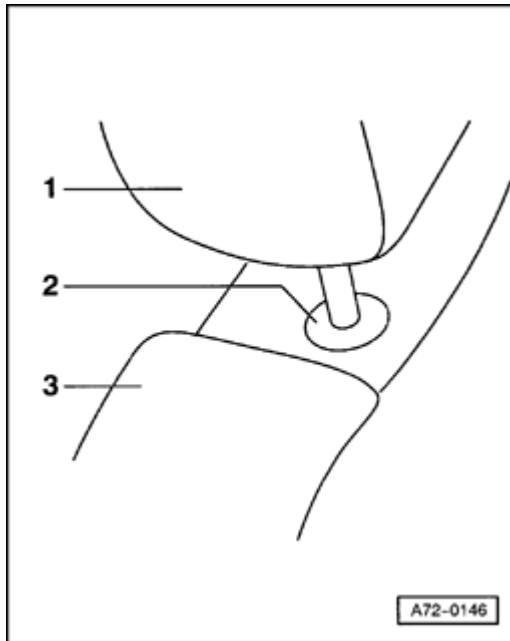
4 - Bushings (2x)

5 - Locking washer

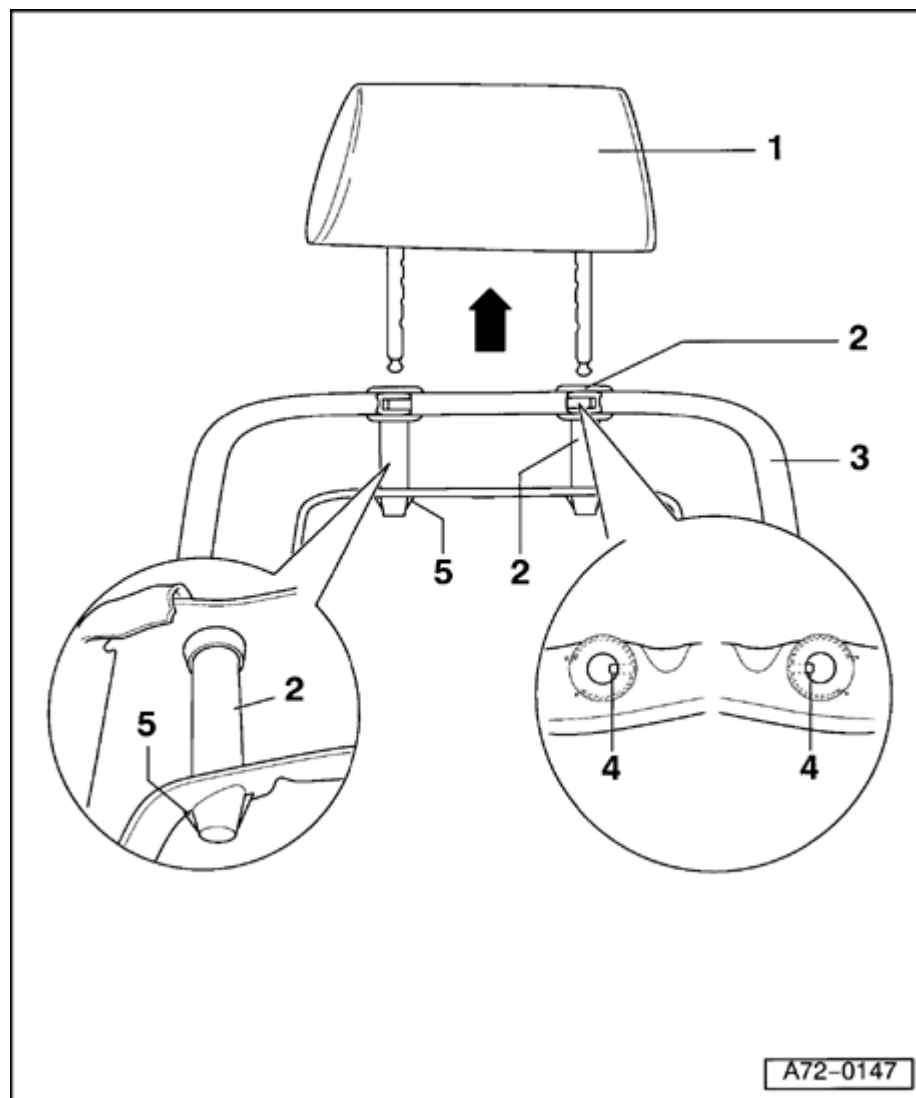
6 - Shaft

A72-0156

Headrest, removing and installing

**A**

- Press down on guide sleeves -2- from above.
- Press down slightly on headrest -1- to release catch.
- Pull headrest -1- up and off of backrest -3-.



Headrest guides, removing and installing

WARNING!

Before starting work on seats, connect VAS 5094 airbag adapter ⇒ [page 72-9](#) .

1 - Headrest

2 - Headrest guide

Removing:

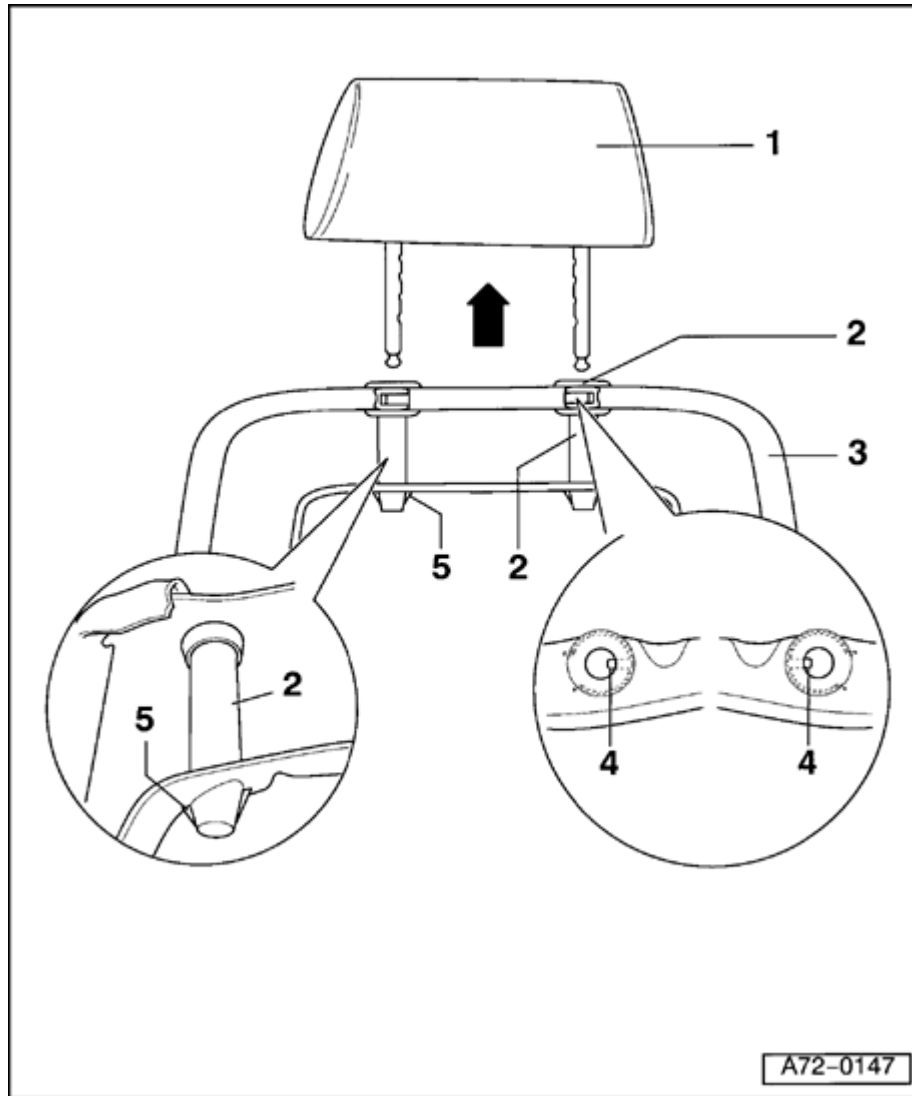
- Remove headrest -1- ⇒ [page 72-52](#) .
- Remove upholstery from backrest frame - 3- ⇒ [page 74-22](#) .
- Press catches -5- of headrest guide -2- together and pull headrest guide -2- up and off.

Installing:

CAUTION!

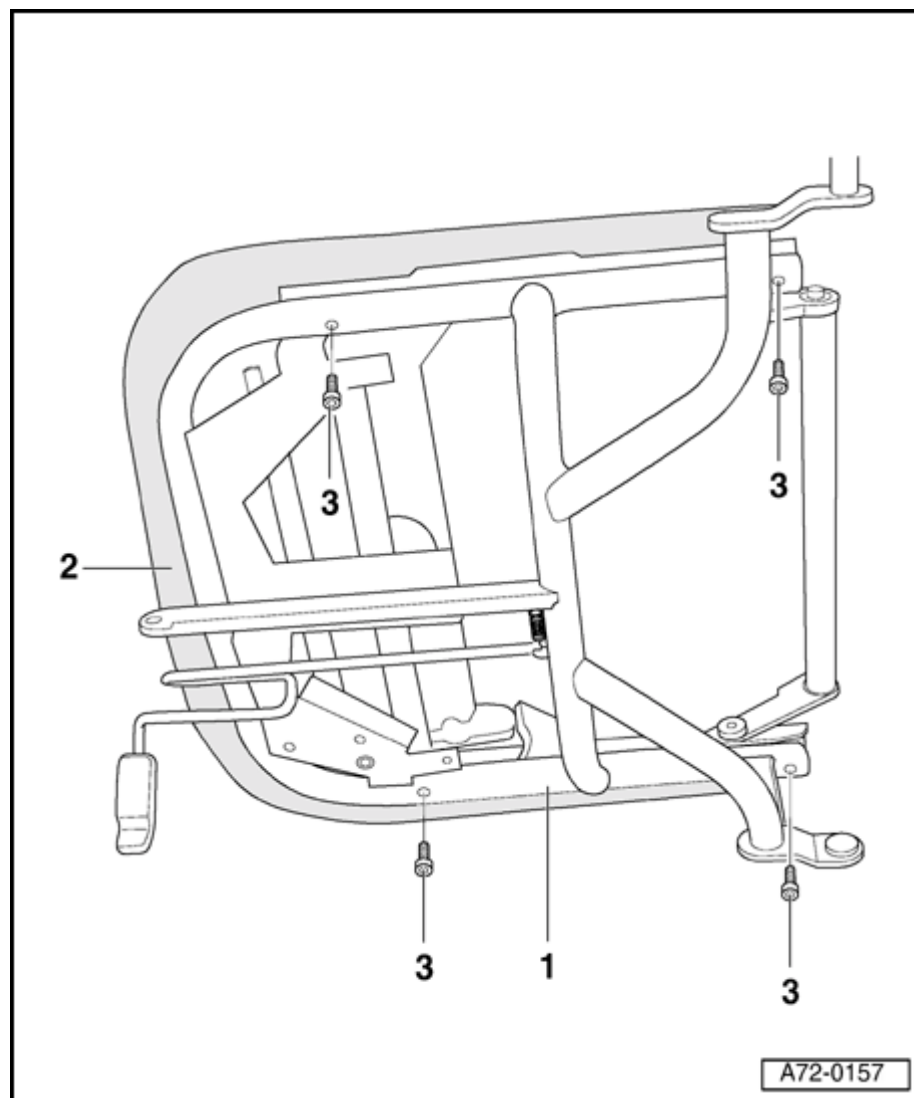
The locking pins for both headrest guides must be on the inside so that they engage in the height adjustment catches.

- Install headrest guides -2- so locking pins -4- of headrest guides are both on inside.



- 3 - Backrest frame
- 4 - Locking pins
- 5 - Catches

A72-0147



Seat frame, removing and installing

WARNING!

Before starting work on seats, connect VAS 5094 airbag adapter ⇒ [page 72-9](#) .

1 - Seat frame

Removing:

- Remove seat ⇒ [page 72-25](#) .
- Place seat so underside of seat cushion is easily accessible.
- Disconnect tie wraps that are attached to seat frame.
- Unbolt bracket for harness connector (two bolts).
- Unbolt both relays (2x).
- Unbolt bolts -3- (4x) on seat frame -1-.
- Remove seat frame -1- from seat -2-.

Installing:

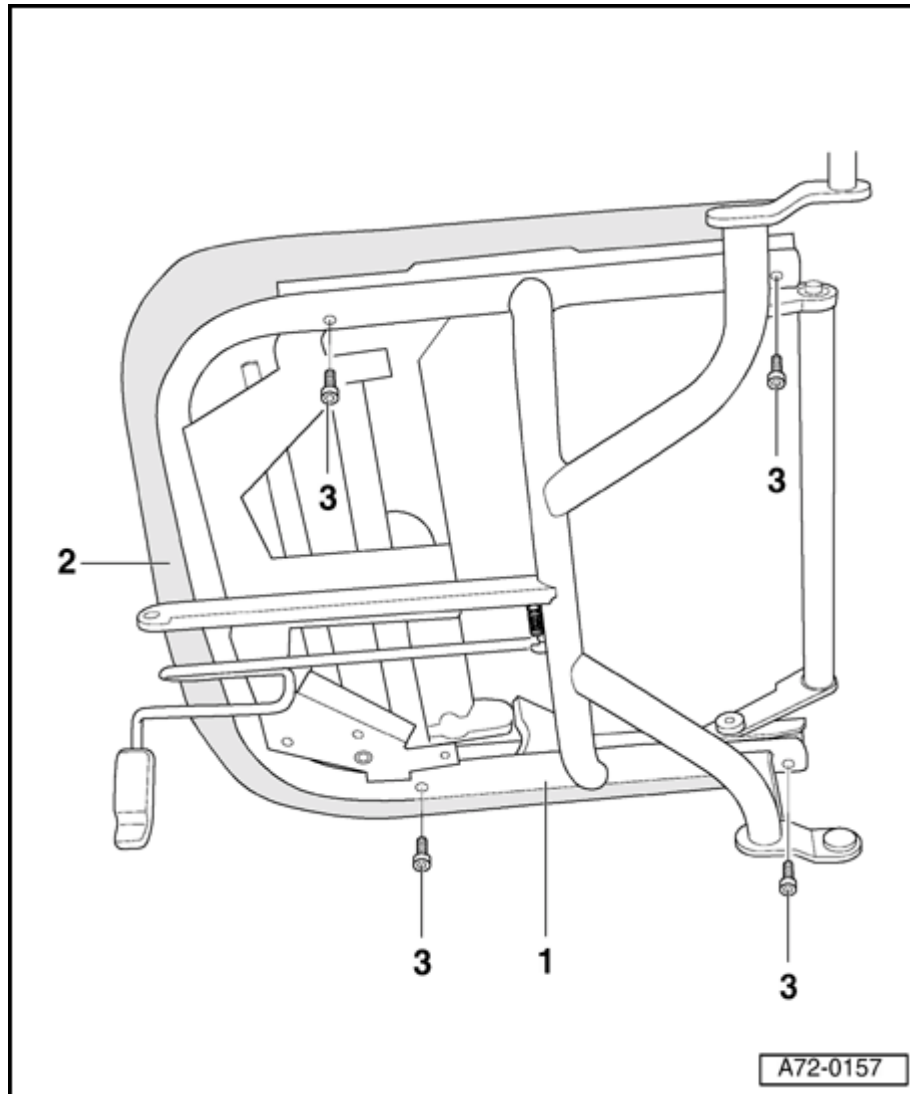
Note:

Always replace bolts -3-.

- Place new seat frame -1- on seat -2-.

- Tighten bolts -3- (4x) to 23 Nm (17 ft lb).

72-56



2 - Seat

3 - Bolts (4x)

◆ 23 Nm (17 ft lb)