

Rear door trim

Component locations, overview

1 - Door trim

◆ Removing installing ⇒ [page 70-25](#)

2 - Clip locator

3 - Outer connecting piece

4 - Outer filler piece

5 - Rear door trim insulation

◆ ⇒ [page 70-37](#)

6 - Foam seal

7 - Inner filler piece

8 - Inner connecting piece

9 - Guide for locking knob

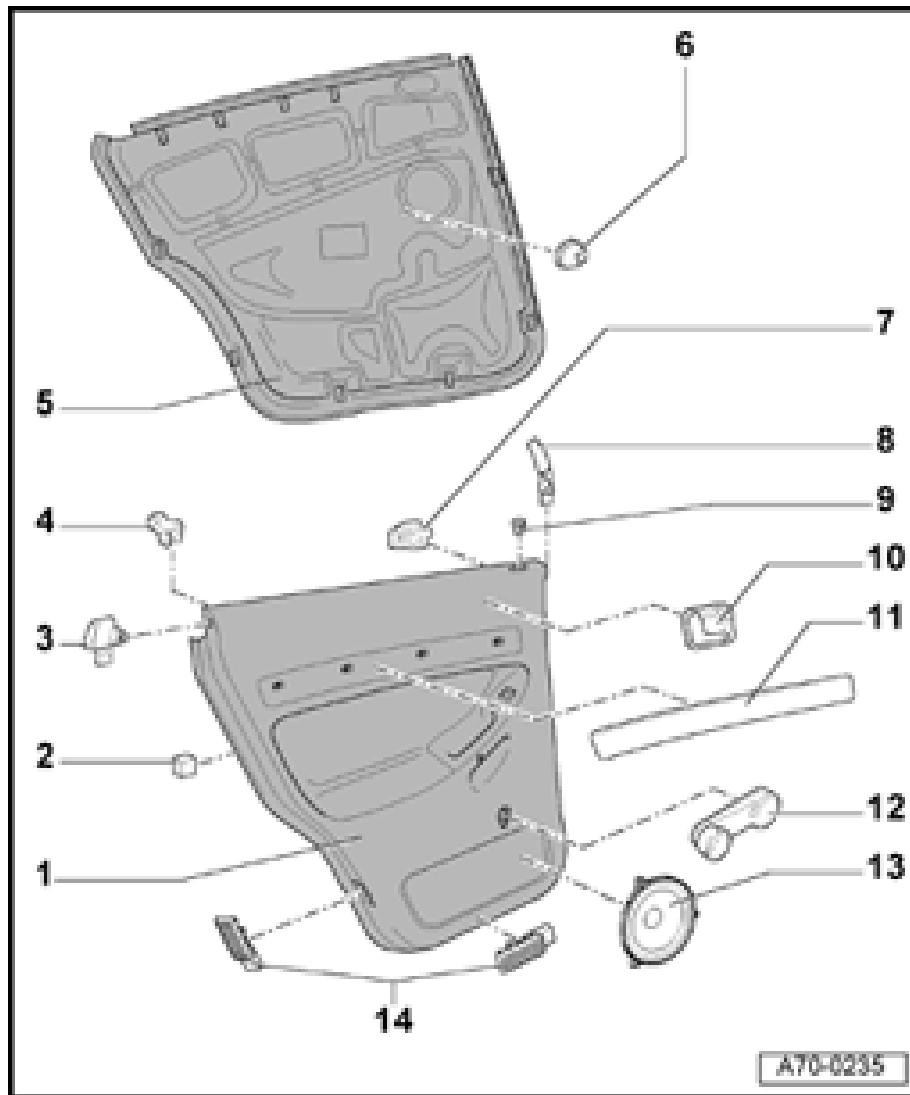
10 - Interior door handle

◆ Removing ⇒ [page 70-27](#)

11 - Trim panel

◆ Removing ⇒ [page 70-36](#)

12 - Window crank handle

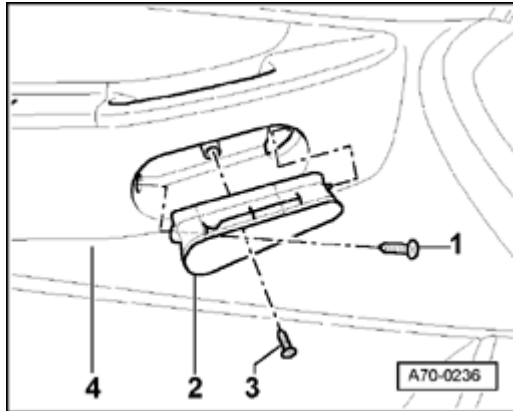
**13 - Speaker (woofer)**

◆ Removing ⇒ [page 70-16](#)

14 - Door warning and footwell lights

◆ Removing ⇒ [page 70-33](#)

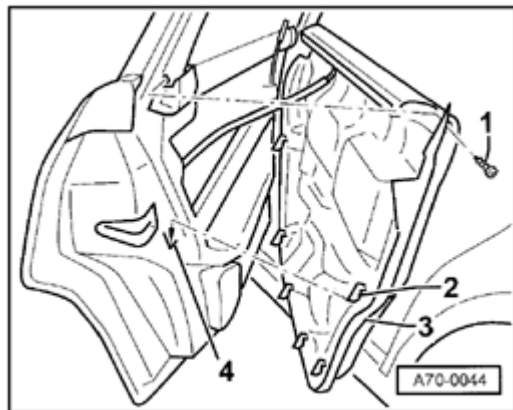
Rear door trim, removing and installing



A

- Remove bolt -1-.
- Tightening torque: 1.5 Nm (13 in. lb)
- Pull handle shell -2- downward out of door trim -4-.
- Remove nut -3- (1x).
- Tightening torque: 2.5 Nm (22 in. lb)

Vehicles with manual window crank ⇒ [page 70-28](#) .

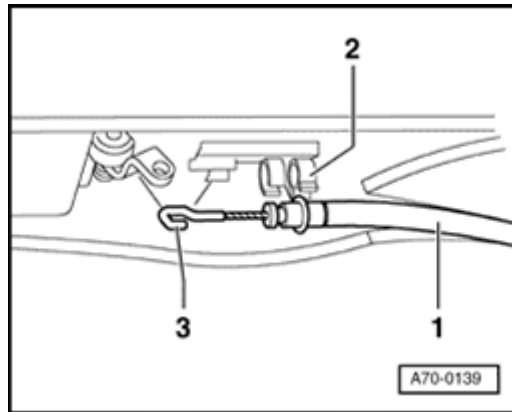


A

- Remove bolts -1- (2x).
- Tightening torque: 1.5 Nm (13 in. lb)
- Lift door trim -3- up and out of door shell.
- To install, bases -4- for detent notches -2- (7x) must be fully installed.

Note:

The Bowden cable for the inside door mechanism and the electrical harness connectors are not disconnected until after removing door trim -3-.

**A**

- Pull Bowden cable -1- out of guide -2- and remove.

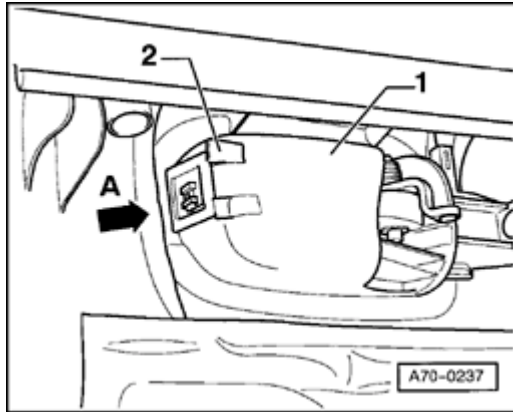
Note:

When installing, make sure that hook -3- faces upward.

- Disconnect electrical harness connectors.

Interior door handle, removing

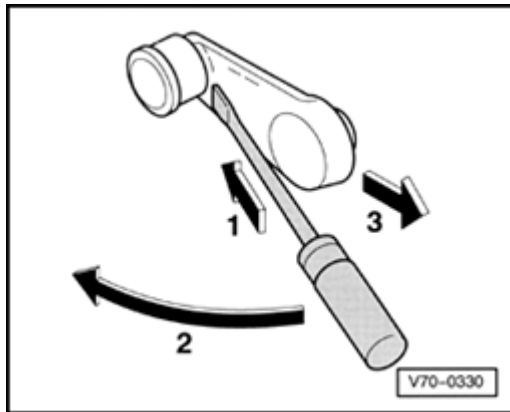
- Remove door trim ⇒ [page 70-25](#) .



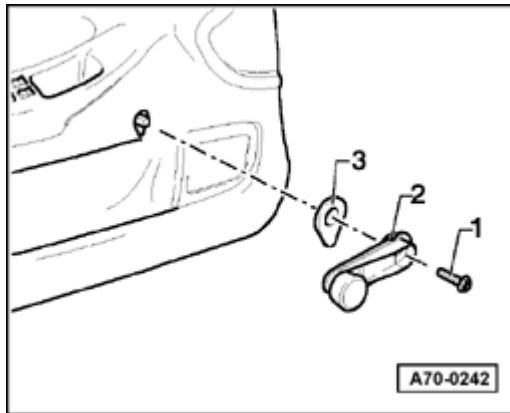
A

- Press spring -2- in direction of arrow -A- and remove interior door handle -1- toward front.

Rear manual window crank, removing and installing



- A
- Press in flat side of flat-head screwdriver in direction of arrow -1-.
 - Rotate flat-head screwdriver in direction of arrow -2-.
 - Pull off cover in direction of arrow -3-.



- A
- Remove bolt -1-.
 - Tightening torque: 2.5 Nm (22 in. lb)
 - Remove manual window crank -2- and base -3-.

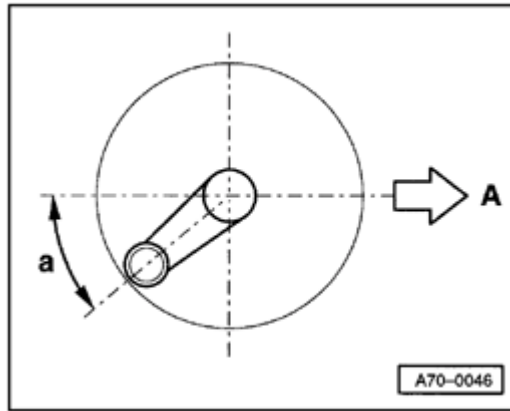
Rear door manual window crank installation position



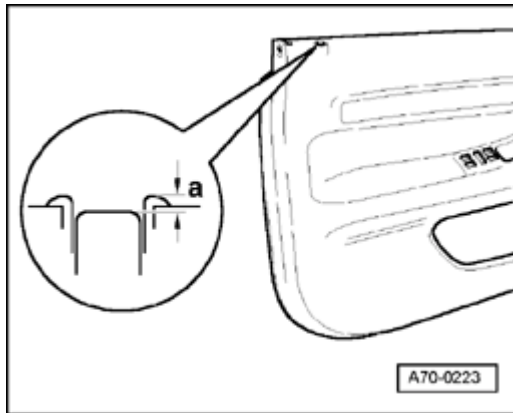
Illustration shows left manual window crank (right-side is mirror of left).

A - Driving direction

a - Installation position with window closed, at $40^\circ \pm 20^\circ$ angle toward rear.



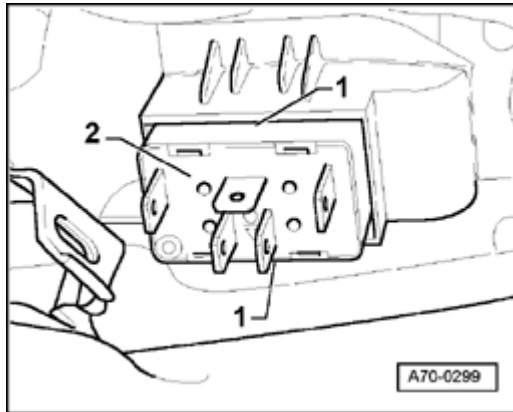
Release button, adjusting

**A**

- When locked, release lever must not project more than dimension -a-.
- Dimension -a-: 0-2 mm countersunk

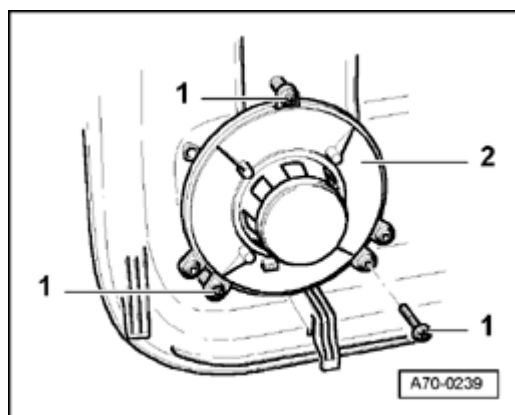
Power window switch, removing and installing

- Remove door trim ⇒ [page 70-25](#) .
- Remove insulation ⇒ [page 70-37](#) .
- Use screwdriver to remove retaining tabs -1-.
- Remove power window switches -2-.

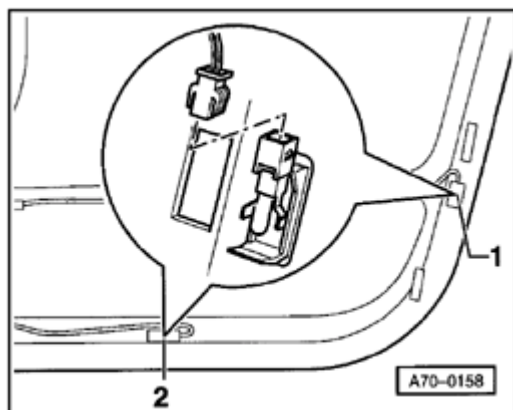


Bass speaker, removing

- Remove door trim ⇒ [page 70-25](#) .
- Remove insulation ⇒ [page 70-37](#) .
- Remove bolts -1- (3x).
Tightening torque: 1.5 Nm (13 in. lb)
- Remove bass speaker -2-.



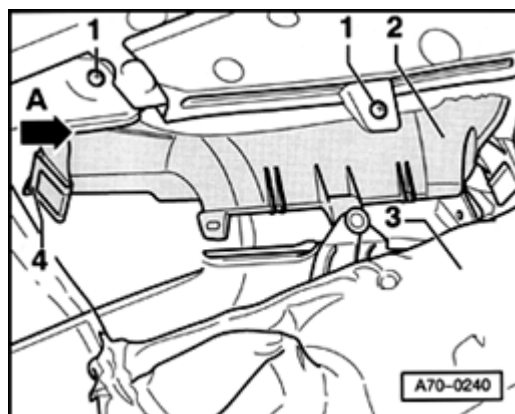
Door warning light and footwell lights, removing and installing

**A**

- Detach door warning light -1- from below using screwdriver and remove toward outside together with cable.
- Disconnect door warning light -1-.
- Detach footwell lights -2- from front using screwdriver and remove toward outside together with cable.
- Disconnect footwell lights -2-.

Grip handle cover with power window switch unit, removing and installing

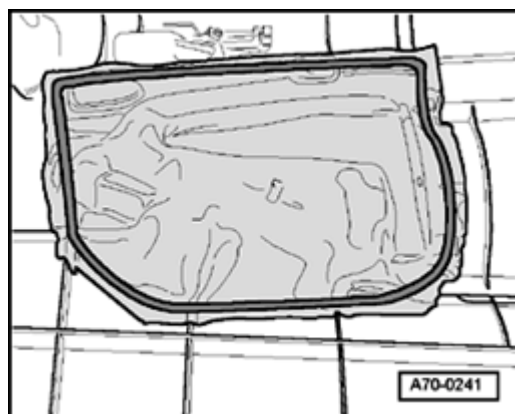
- Remove door trim ⇒ [page 70-25](#) .
- Remove insulation ⇒ [page 70-37](#) .
- Pull vapor barrier -3- down in area of trim.

**A**

- Remove bolts -1- (2x).
Tightening torque: 1.5 Nm (13 in. lb)
- Press both sides of spring -4- in direction of arrow -A-, and remove grip handle cover -2-.

Vapor barrier, removing

- Remove door trim ⇒ [page 70-25](#) .
- Remove insulation ⇒ [page 70-37](#) .

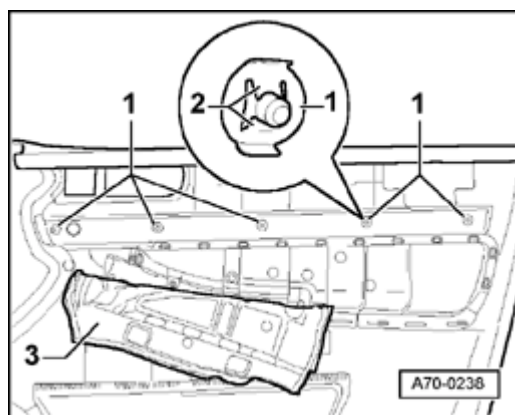


A

- To install, press in vapor barrier -1- in area of adhesive bead -2-.
- Push power window electrical harness connectors through vapor barrier.

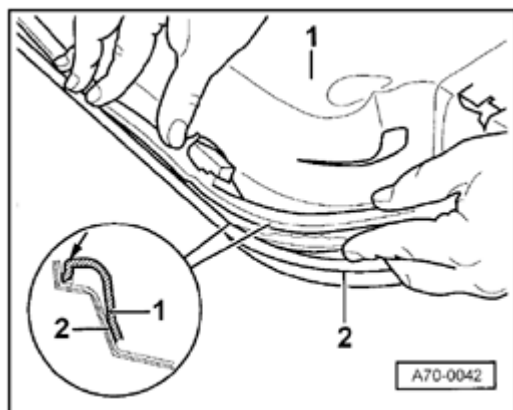
Tim panel in door trim, removing

- Remove door trim ⇒ [page 70-25](#) .
- Remove insulation ⇒ [page 70-37](#) .
- Pull vapor barrier -3- down in area of trim.
- Carefully open clips -2- of clips -1-.
- Remove trim panel.



70-37

Rear door trim insulation, removing and installing

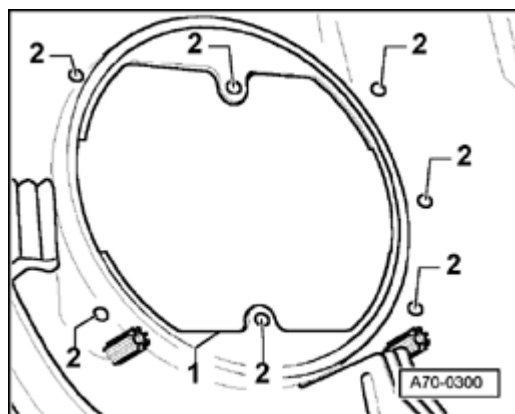


A

- Insulation -1- must be inserted into door trim -2- all around.
- When removing or installing insulation -1-, ensure insulation is not damaged when installing it over retaining tabs or electrical harness connectors.

70-38

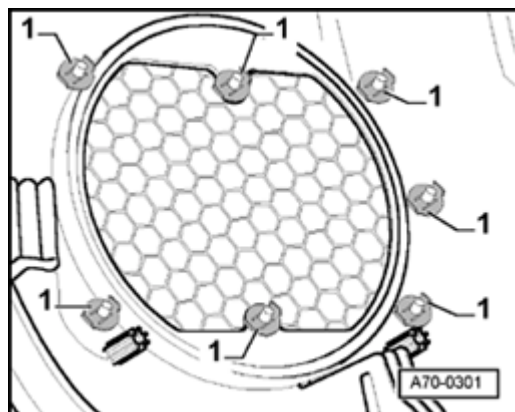
Door trim replacement panel for speaker, cutting out



A

- Cut out trim at marking -1- using available tools.
- Drill trim at -2- (7x) using 5 mm drill bit.

Speaker trim, installing

**A**

- Insert speaker trim from front and secure speaker trim with clips -1- (7x).