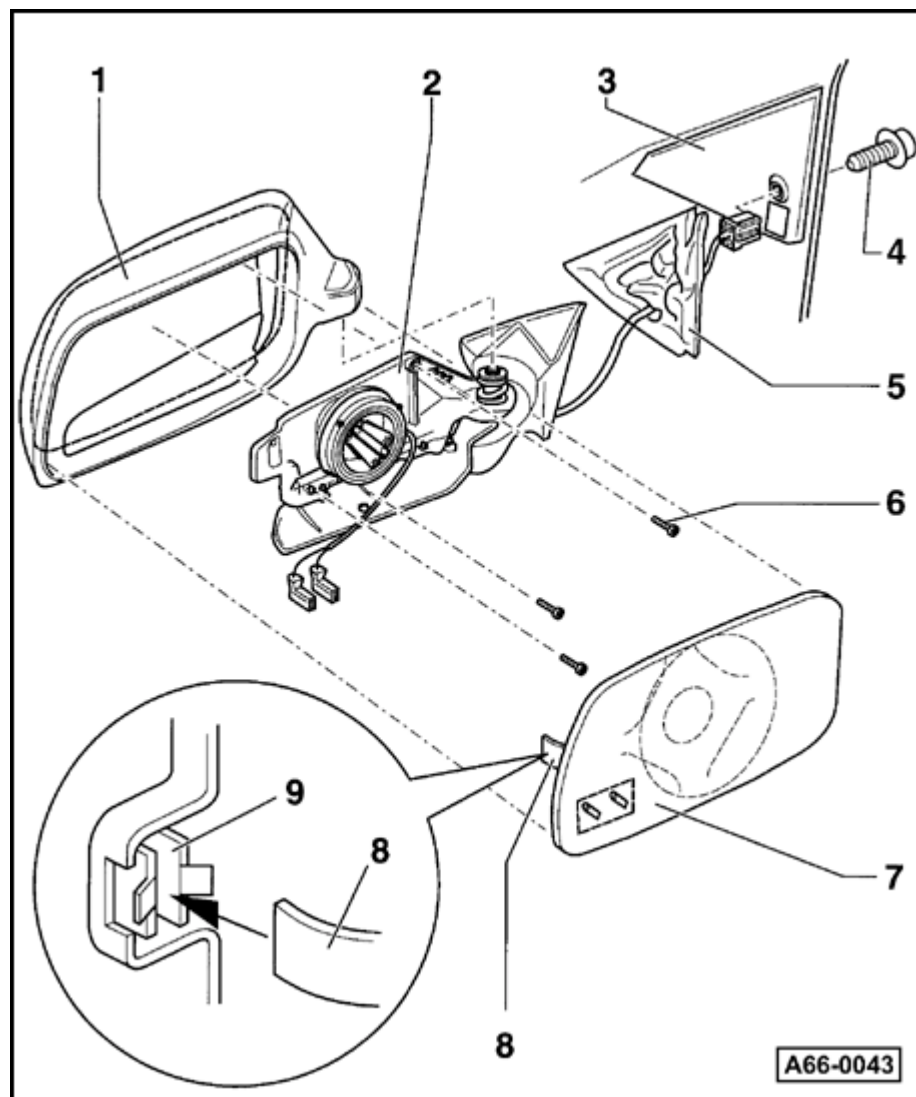


66-14



Door mirrors

Door mirrors, removing and installing

1 - Mirror housing

- ◆ Can be removed from door without removing mirror completely ⇒ [page 66-16](#)

2 - Mirror adjuster

- ◆ Before removing, remove mirror from door
 - To remove, pry off mirror glass, disconnect harness connectors for mirror heating, remove phillips head screws -6- and take mirror adjuster -1- out of mirror housing.

Note:

On vehicles with seat memory, door trim must be removed before removing mirror adjuster.

3 - Door component carrier

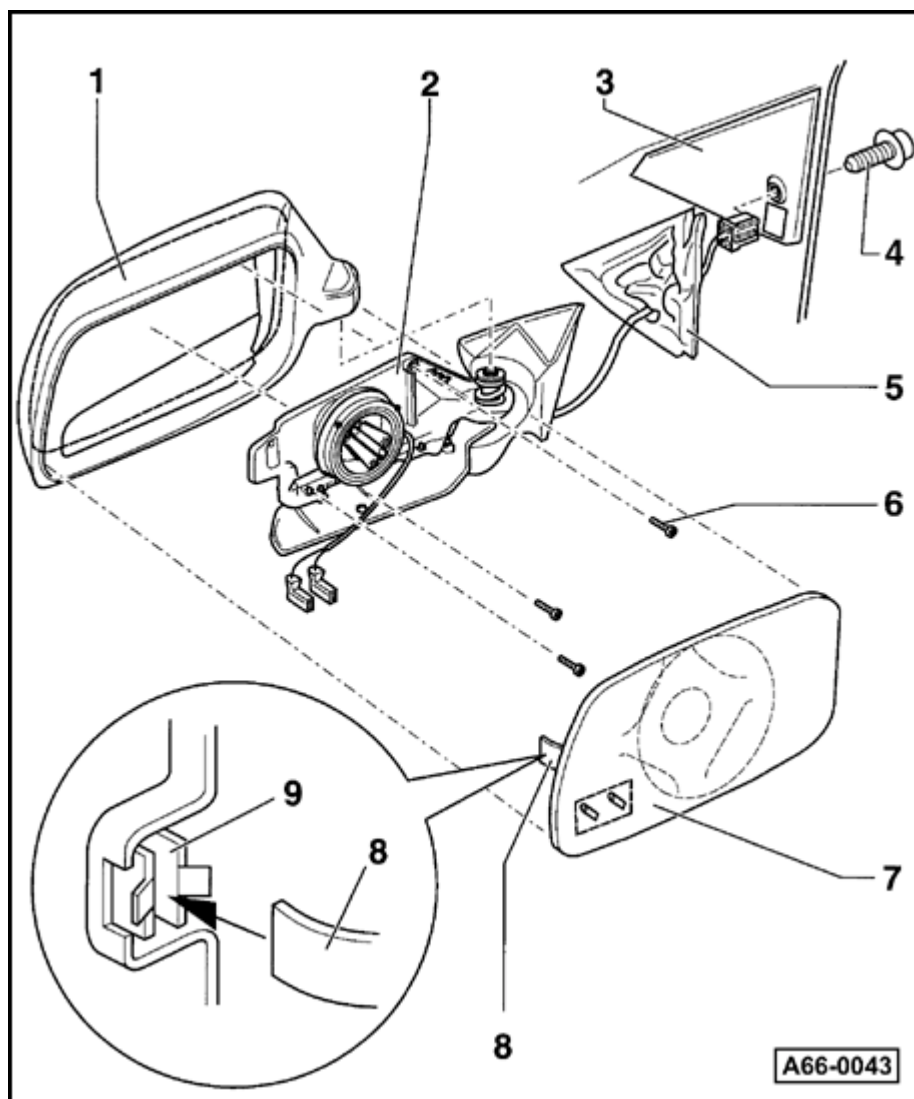
4 - Socket head screw

- ◆ 12 Nm (9 ft lb)

5 - Seal

- ◆ Check for correct fit during installation.

66-15

**6 - Phillips head screw**

- ◆ 1 Nm (9 in. lb)

7 - Mirror glass

- To remove, use special tool 80-200 (assembly lever).
- ◆ Use fabric reinforced adhesive tape at top and bottom to protect mirror housing from paint damage
- Pry mirror out at bottom first, then top.
- To install, first insert mirror lens into guide stud and friction finger in friction spring, then press on.
- ◆ Apply pressure only to center of lens; always wear protective gloves

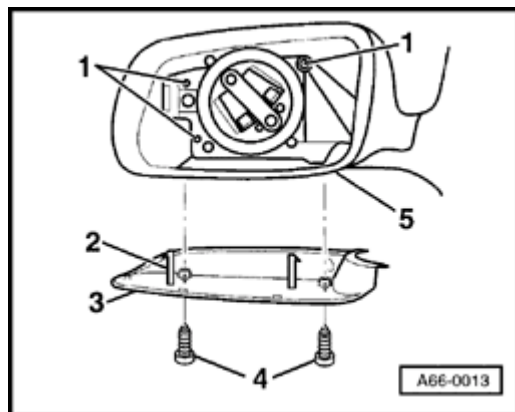
8 - Friction finger

- ◆ Friction finger -8- must be pushed into friction spring -9- when inserting mirror glass in housing

9 - Friction spring

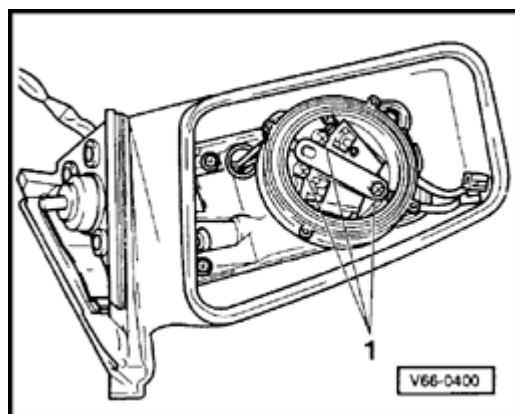
Door mirror housing, replacing

- Remove mirror glass.
- Remove screws -4- (2x).
- Press back retainers -2- and take off cover -3- downward.
- Remove screws -1- at mirror adjusting unit (3x).
- Lift up housing -5- and remove.



Power mirror adjuster, replacing

- Disconnect battery.
- Remove mirror glass.
- Remove screws -1- (3x)
Tightening torque: 1 Nm (9 in. lb)
- For mirror adjusting units with harness connectors, these should be removed before disassembly.



Note:

For mirror adjusting units with soldered wires, these should be separated individually directly at the housing.

- Install wiring into connector housing enclosed with replacement unit.

Note:

Transfer wire routing from old power mirror adjuster using correct wiring diagram.