

55-49

Tailgate (Avant) (m.y. 1999 VIN 8D XA 200 001 ➤)

Grip piece, removing and installing

1 - Hex bolt

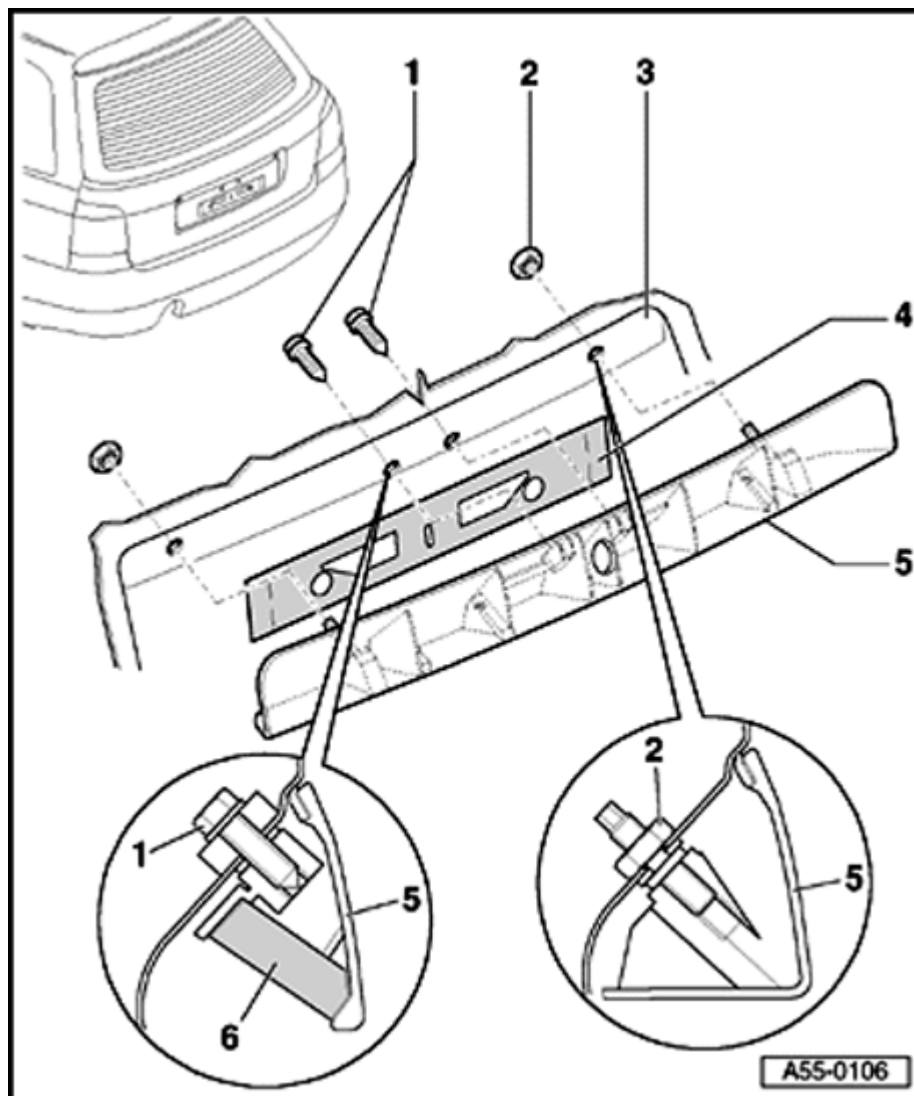
◆ 8 Nm

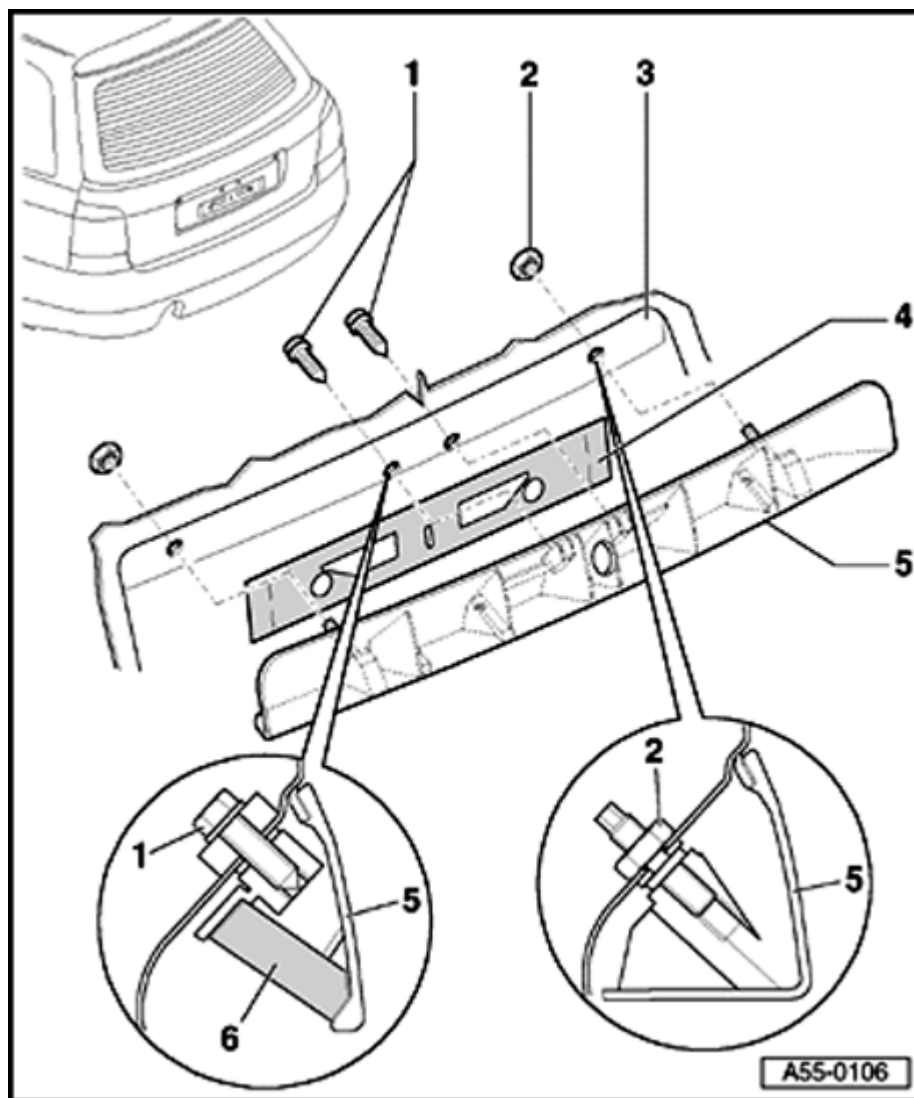
2 - Hex nut

◆ 8 Nm

3 - Tailgate

4 - Seal





5 - Grip piece

Removing:

- Before removing, remove tailgate trim.

⇒ [Repair Manual, Body-Interior, Repair Group 70](#)

- Disconnect electrical harness connector for license plate lights and switch for rear lid release.
- Remove hex bolts -1- and hex nuts -3-.
- Locking system is removed via interior of luggage compartment.
- Pull grip piece out of rear lid.

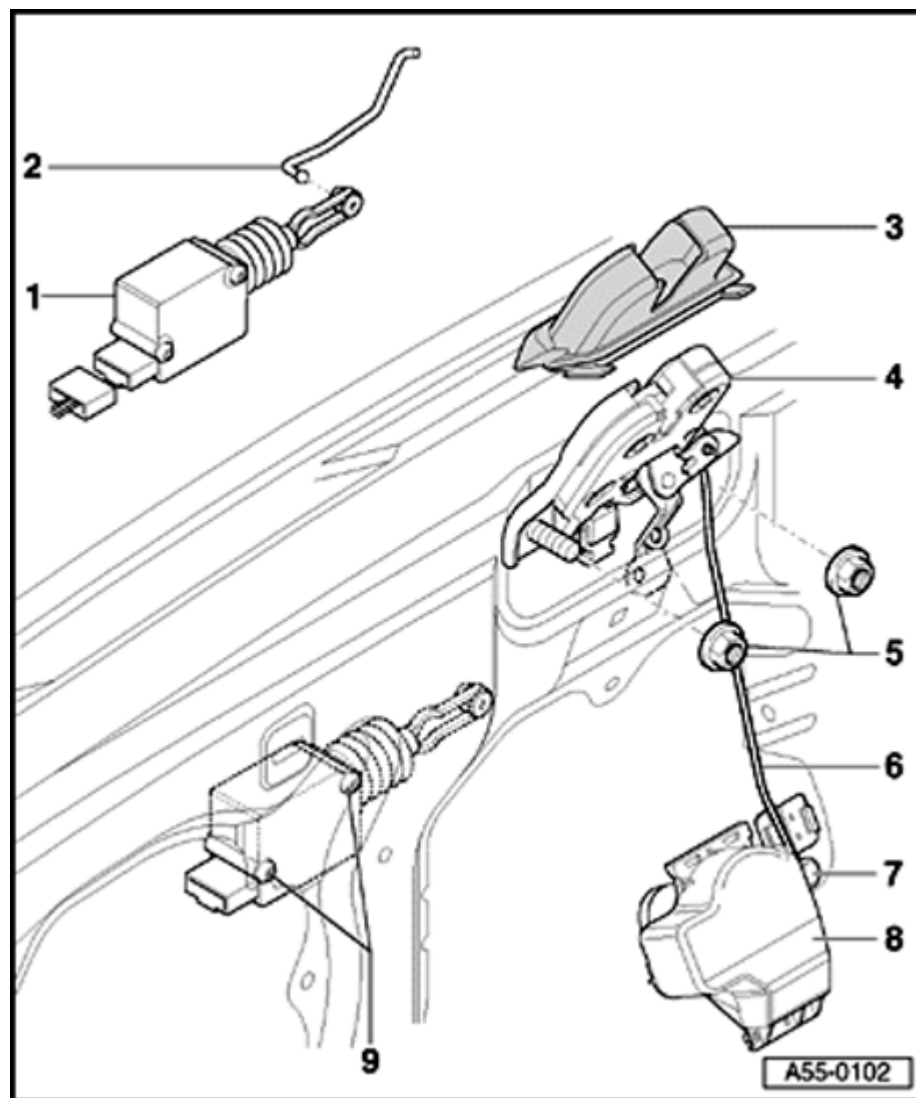
Installing:

- Install grip piece on rear lid via rear lid bore holes.
- First tighten both hex nuts -2- to 8 Nm.
- Then secure locking system using hex bolts -1- and tighten bolts to 8 Nm.

6 - Microswitch for rear lid release

- ◆ Removing ⇒ [page 55-26](#)

55-51



Tailgate lock, removing and installing

1 - Lock actuator for rear lid

- ◆ Before removing, first disengage operating rod -2- from rear lid lock ⇒ [Fig. 1](#)
- ◆ Remove Torx bolts -9- and take out actuator

2 - Operating rod

- ◆ Unclip and clip in rear lid lock ⇒ [Fig. 1](#)

3 - Cap

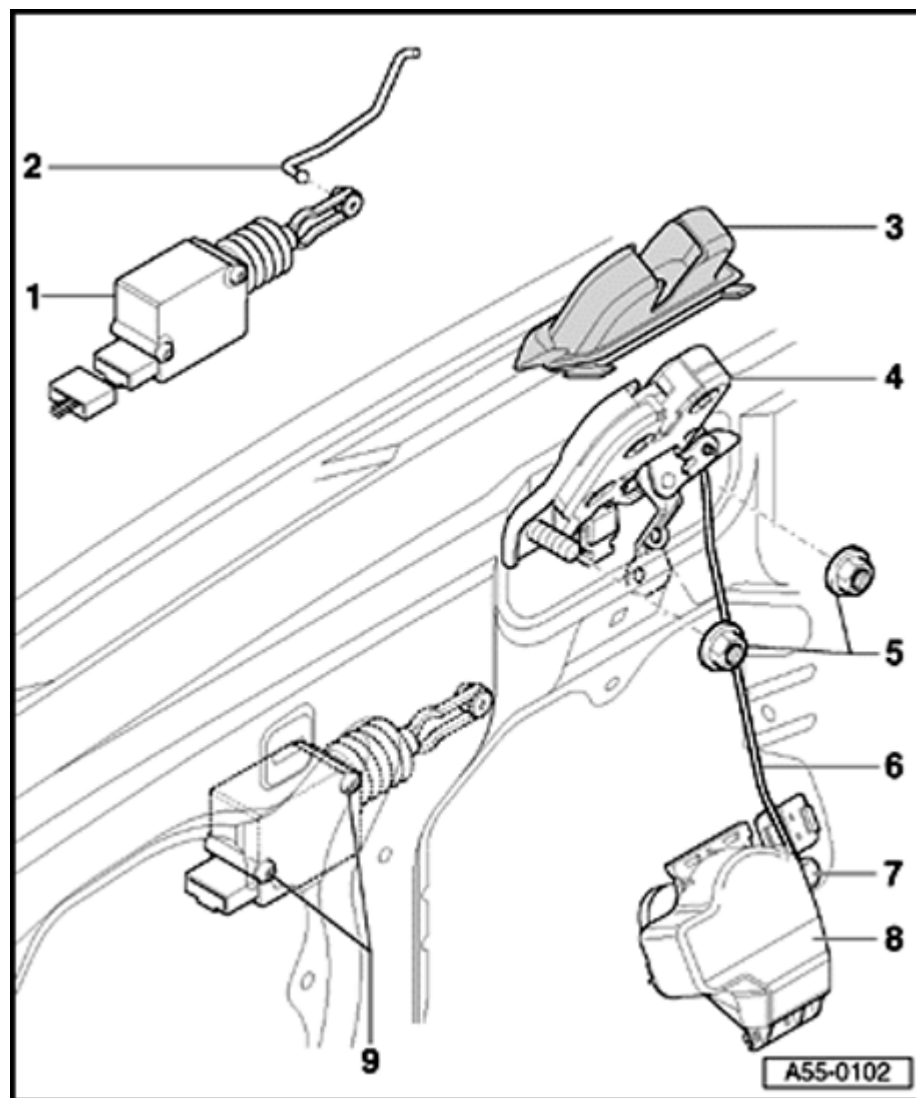
- ◆ To remove, unclip from rear lid lock and remove ⇒ [page 55-54](#) .

4 - Tailgate lock

Removing:

- Disengage operating rod -2- and connecting rod -6- from rear lid lock.
- Remove hex nuts -4- and take out rear lid lock.
- ◆ Locking system is removed from rear lid via interior of luggage compartment.
- Pull grip piece out of rear lid.

55-52



Installing:

- First tighten both hex nuts -2- to 8 Nm.
- Then secure locking system using hex bolts -1- and tighten bolts to 8 Nm.

5 - Hex nut

- ◆ 8 Nm

6 - Operating rod

- ◆ Unclip and clip in rear lid lock ⇒ [Fig. 1](#)

7 - Hex nut

- ◆ 8 Nm

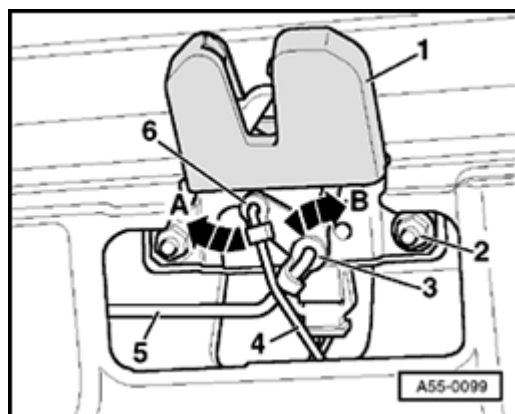
8 - Lock mechanism

- ◆ Removing ⇒ [page 55-55](#)

9 - Torx screw

- ◆ 2.5 Nm

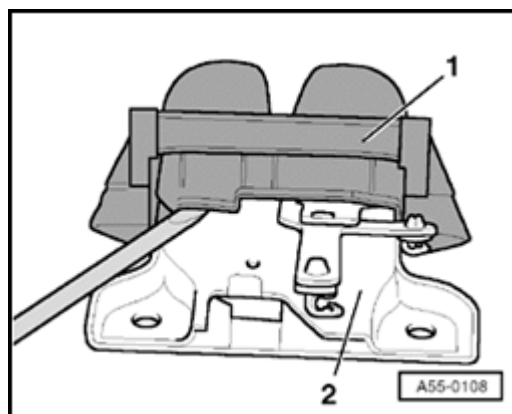
55-53



A

Fig. 1 Disengaging and engaging operating and connecting rods

- Swing hinge arm -6- in direction of arrow -A- and pull out connecting rod -4-.
- Swing hinge arm -3- in direction of arrow -B- and pull out connecting rod -5-.
- To remove rear lid lock -1- remove hex nuts -2-.

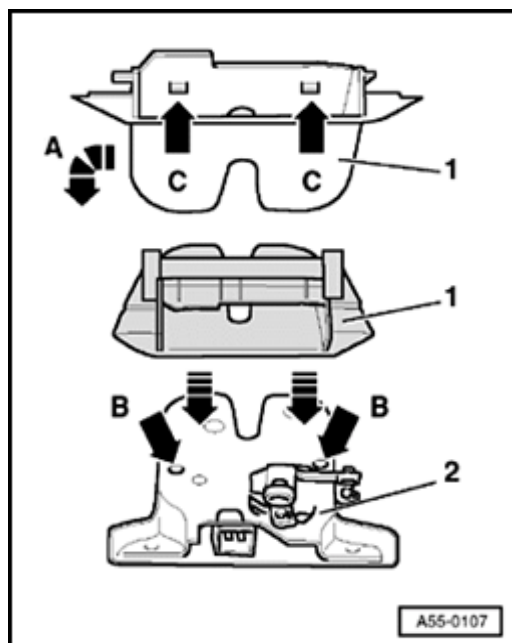


A Fig. 2 Removing cover for rear lid lock

Note:

Part is shown in removed condition for the sake of illustration.

- Tailgate trim must be removed before removing cover.
- To remove, disengage locking mechanisms (arrows) using a screwdriver and pull off cover.



A Fig. 3 Installing cover for rear lid lock

- Tilt cover 90° in direction of arrow -A-.
- Slide cover -1- onto rear lid lock -2- until retaining tabs (arrows -C-) engage completely in bore holes (arrows -B-) on both sides.
- Perform a function test for proper closure of rear lid.

Tailgate lock system, removing and installing

- Remove tailgate trim.
- Disengage connecting rod to rear lid lock.
- Disconnect harness connectors -3- from microswitch and -4- from locking system.
- Remove hex bolts -2- and locking system -1- from rear lid.

