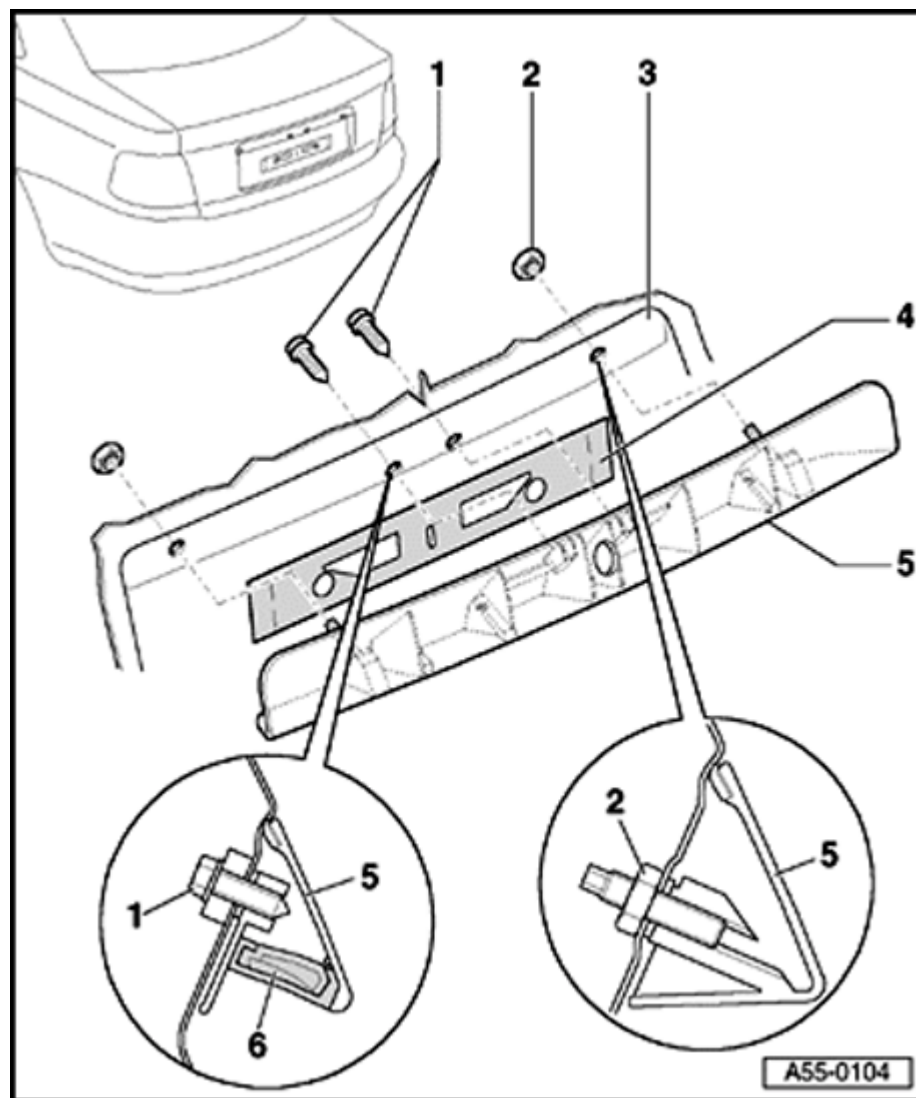


## Rear lid (m.y. 1999 VIN 8D XA 200 001 ➤)

### Grip piece, removing and installing

- 1 - Hex bolt
  - ◆ 8 Nm
- 2 - Hex nut
  - ◆ 8 Nm
- 3 - Tailgate
- 4 - Seal

55-25



### 5 - Grip piece

Removing:

- Before removal, remove tailgate trim.

⇒ [Repair Manual, Body-Interior, Repair Group 70](#)

- Disconnect electrical harness connector for license plate lights and switch for rear lid release.

- Remove hex bolts -1- and hex nuts -3-.

- ◆ Locking system is removed from rear lid via interior of luggage compartment

- Pull grip piece out of rear lid.

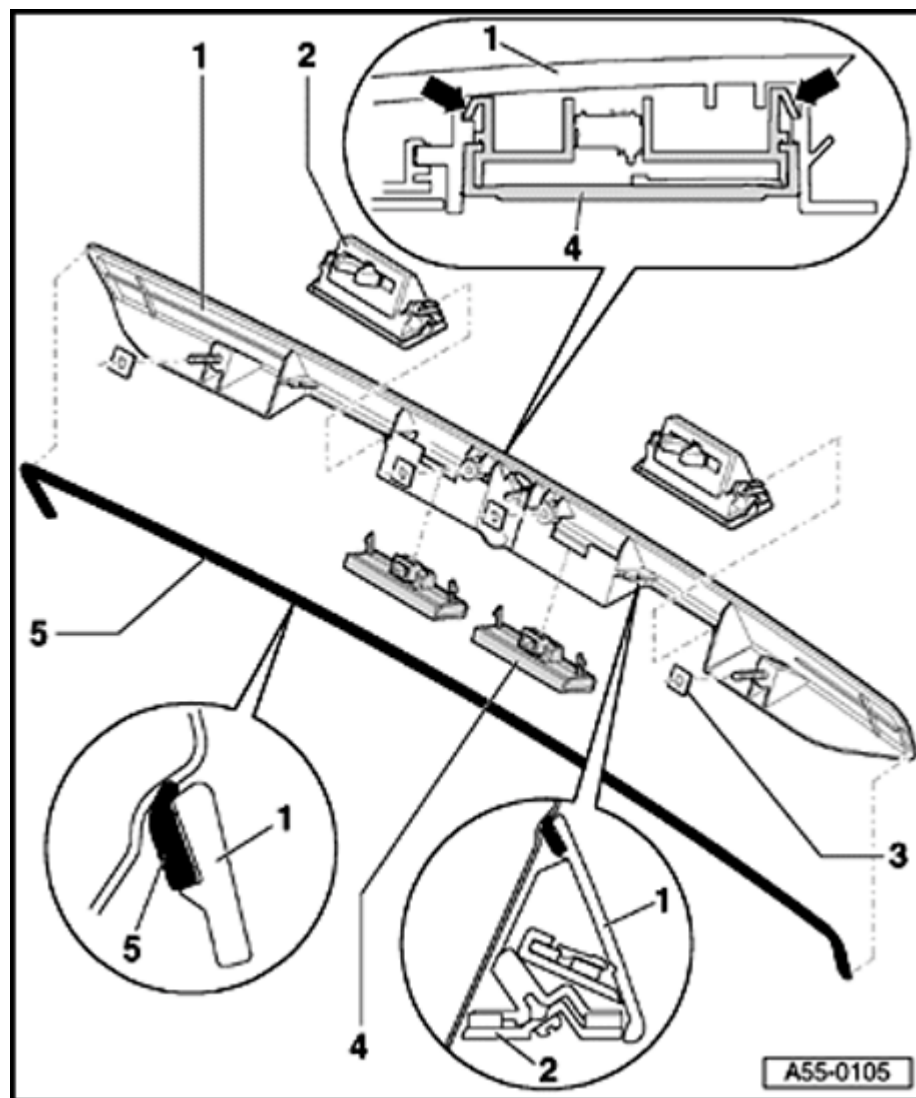
Installing:

- First tighten both hex nuts -2- to 8 Nm.

- Then secure locking system using hex bolts -1- and tighten bolts to 8 Nm.

- Re-connect electrical connection.

55-26



## Rear lid microswitch, removing and installing

**1 - Grip piece**

**2 - License plate lights**

**3 - Sealing washer**

**4 - Rear lid microswitch**

- Disconnect electrical connectors.

- Remove grip piece.

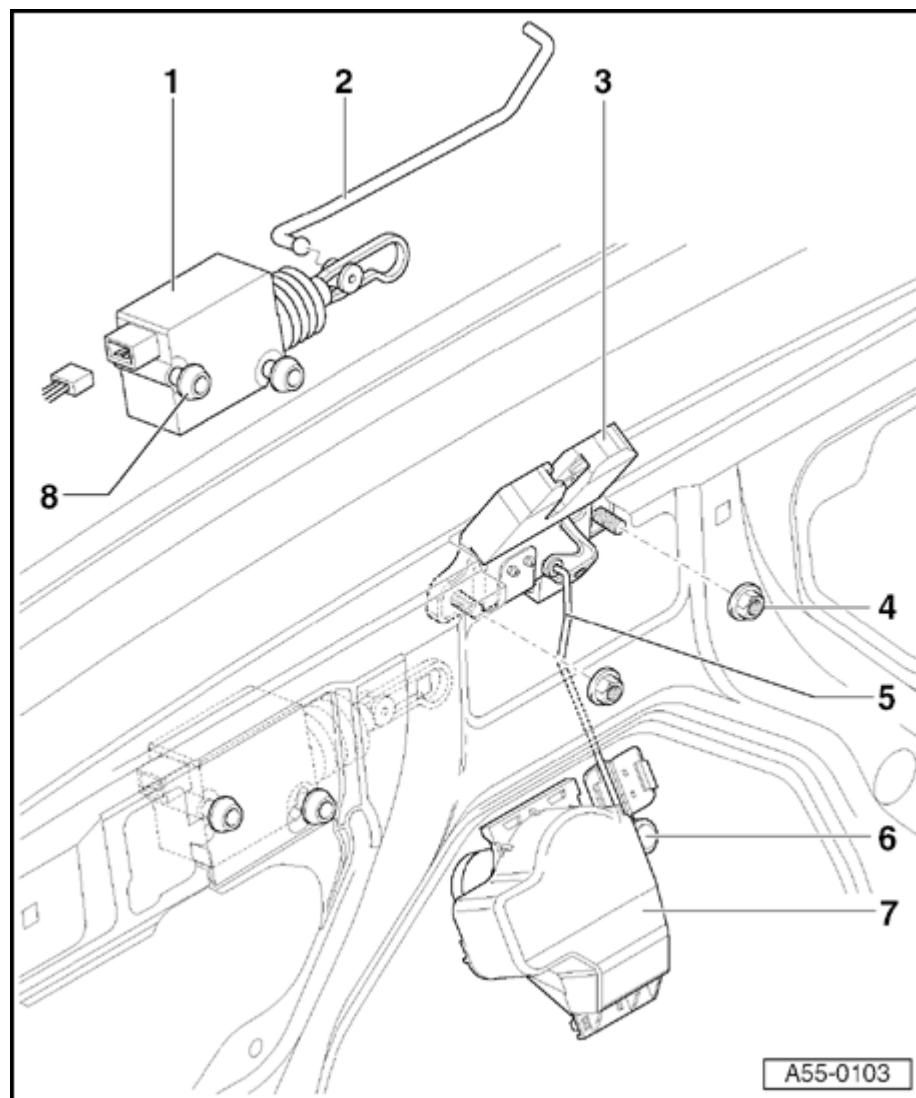
- Release locking mechanism (arrow) and remove microswitch.

**5 - Seal**

◆ Adhesion surface must be free of dust and grease

◆ Self adhesive; remove protective foil before application and press seal on in center

55-27



## Tailgate lock, removing and installing

### 1 - Rear lid lock actuator

- ◆ Before removing, first disengage operating rod -2- from rear lid lock ⇒ [Fig. 6](#)
  - Disconnect electrical harness connector.
  - Remove Torx bolts -8-.

### 2 - Operating rod

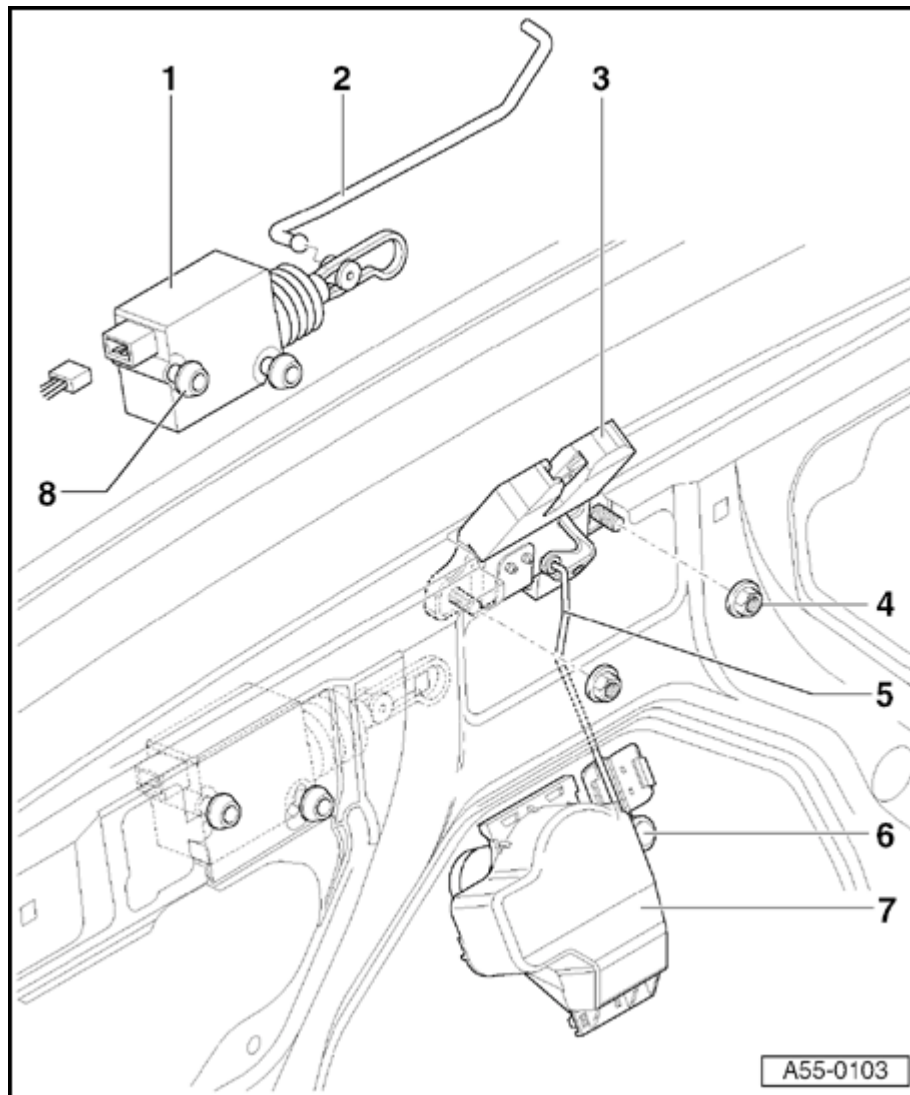
- ◆ Disengage and engage in rear lid lock ⇒ [Fig. 6](#)

### 3 - Tailgate lock

Removing:

- Disengage operating rod -2- and connecting rod -5- from rear lid lock.
- Disconnect electrical harness connector.
- Remove hex nuts -4- and take out rear lid lock.

55-28

**4 - Hex nut**

◆ 8 Nm

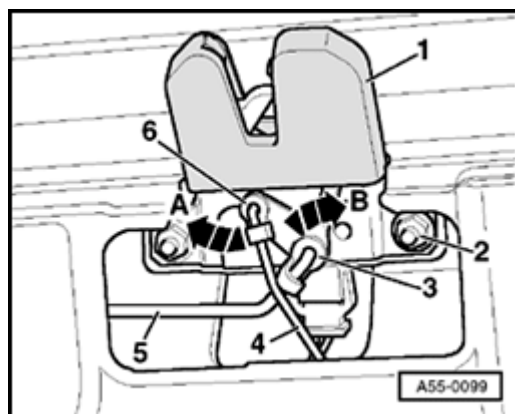
**5 - Operating rod**◆ Unclip and clip in rear lid lock ⇒ [Fig. 6](#)**6 - Hex nut**

◆ 8 Nm

**7 - Lock mechanism**◆ Removing ⇒ [page 55-30](#)**8 - Torx screw**

◆ 2.5 Nm

55-29



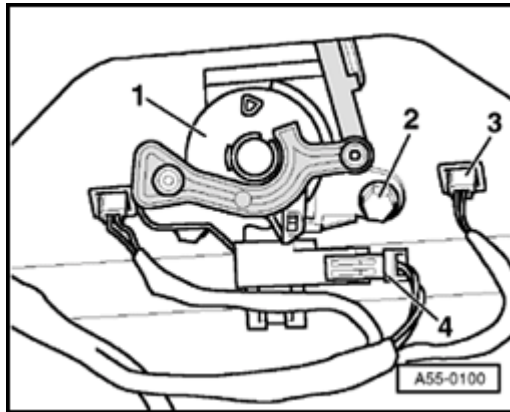
A

**Fig. 6 Disengaging and engaging operating and connecting rods**

- Swing hinge arm -6- in direction of arrow -A- and pull out connecting rod -4-.
- Swing hinge arm -3- in direction of arrow -B- and pull out connecting rod -5-.
- To remove rear lid lock -1- remove hex bolts -2-.

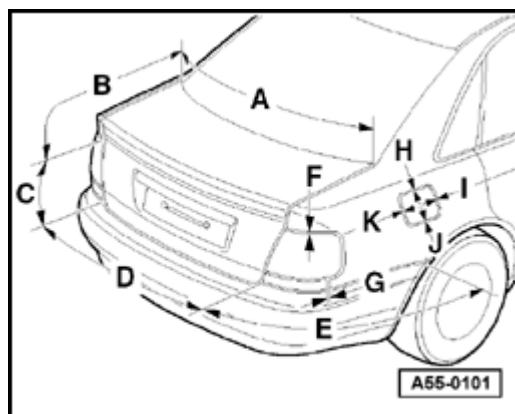
## Tailgate lock system, removing and installing

- Remove tailgate trim.
- Disengage connecting rod to rear lid lock.
- Disconnect harness connectors -3- from microswitch and -4- from locking system.
- Remove hex bolts -2- and locking system -1- from rear lid.



A

55-31



### A Tailgate gap, dimensions

Letter	Actual gap dimension (mm)	Parrallelism (mm)
A	4.7 + 1.5	
B	2.9 + 1	1
C	3.3 + 1	
D	4.9 + 1	1
E	3.5 + 1	0.5
F	2.5 + 0.5	0.5
G	1.5 + 0.5	0.2
H	2.5 ± 0.1	
I	3.3 ± 0.1	
J	3.3 ± 0.2	
K	3.0 ± 0.4	