

## Exhaust system components, removing and installing

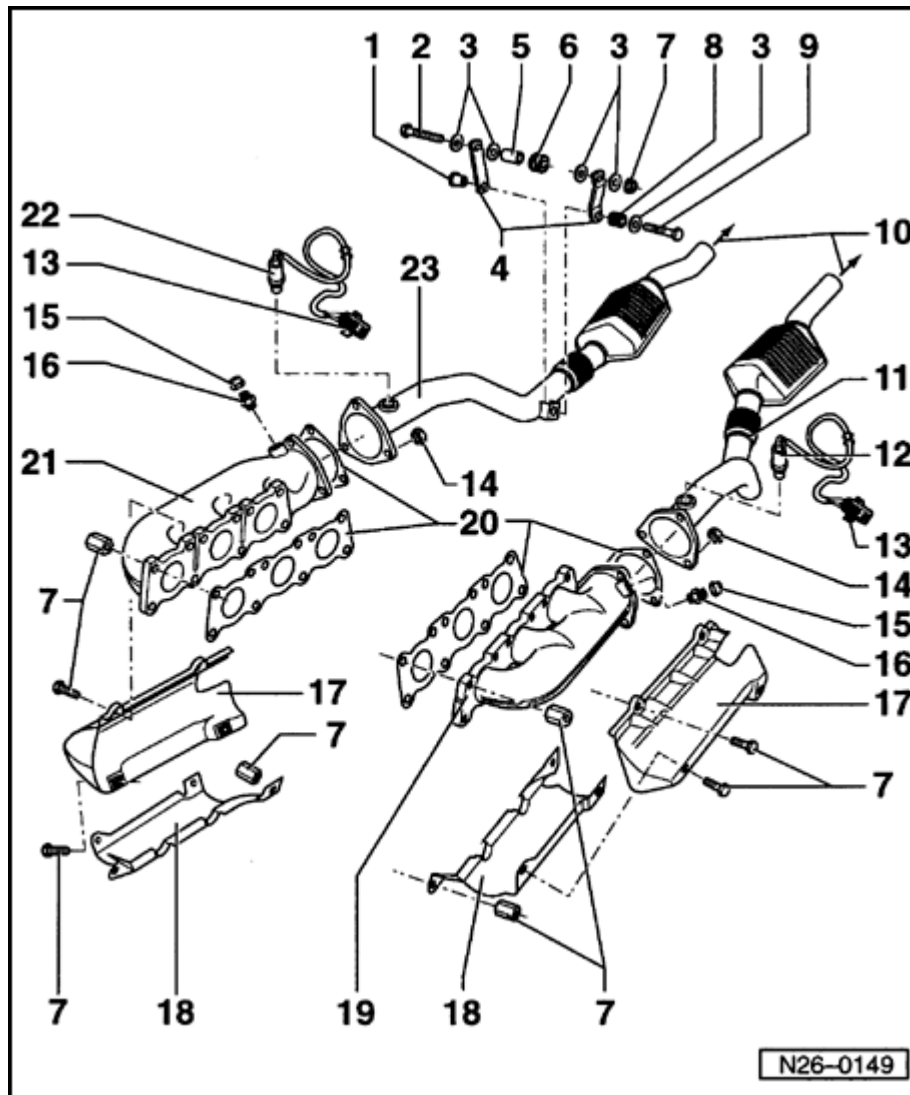
### **WARNING!**

- ◆ **Do not re-use any fasteners that are worn or deformed in normal use.**
- ◆ **Some fasteners are designed to be used only once, and are unreliable and may fail if used a second time. This includes, but is not limited to, nuts, bolts, washers, circlips and cotter pins. Always follow the recommendations in this manual-replace these fasteners with new parts where indicated, and any other time it is deemed necessary by inspection.**

### **Notes:**

- ◆ *Always replace gaskets and self-locking nuts.*
- ◆ *After exhaust system repairs, make sure exhaust system is not under stress and that it has sufficient clearance from the bodywork. If necessary, loosen double clamps and align muffler and exhaust pipe so that sufficient clearance is maintained to the bodywork and the support rings are evenly loaded.*

- ◆ *The flexpipe in left and right exhaust pipes must not be bent more than 10°, otherwise it may be damaged.*



### Exhaust manifold, front exhaust pipe and Three Way Catalytic Converter (TWC) with attachments

1 - Spacer sleeve

2 - Bolt

3 - Washers

4 - Bracket

5 - Spacer bushing

6 - Rubber bushing

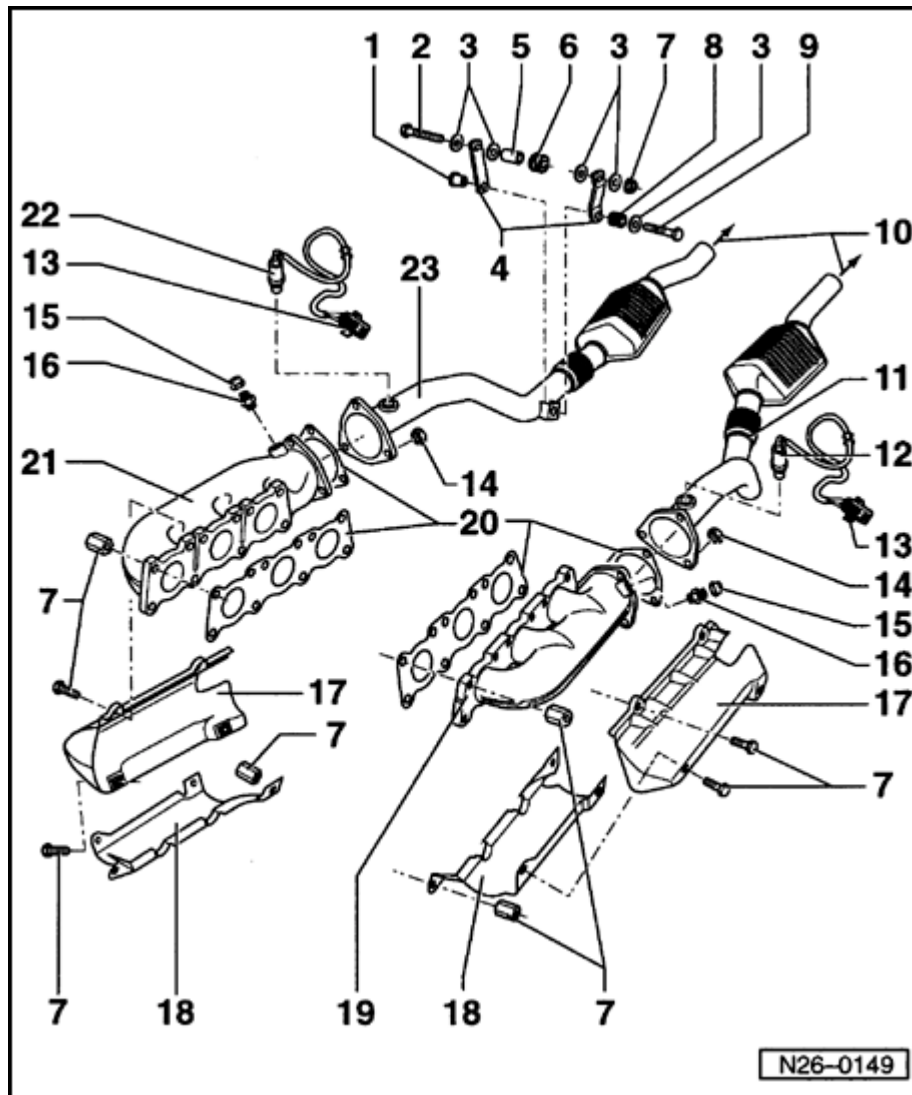
7 - 25 Nm (18 ft lb)

8 - Spring

9 - Bolt

◆ 25 Nm (18 ft lb)

10 - To center muffler



### 11 - Left-front exhaust pipe with Three Way Catalytic Converter (TWC)

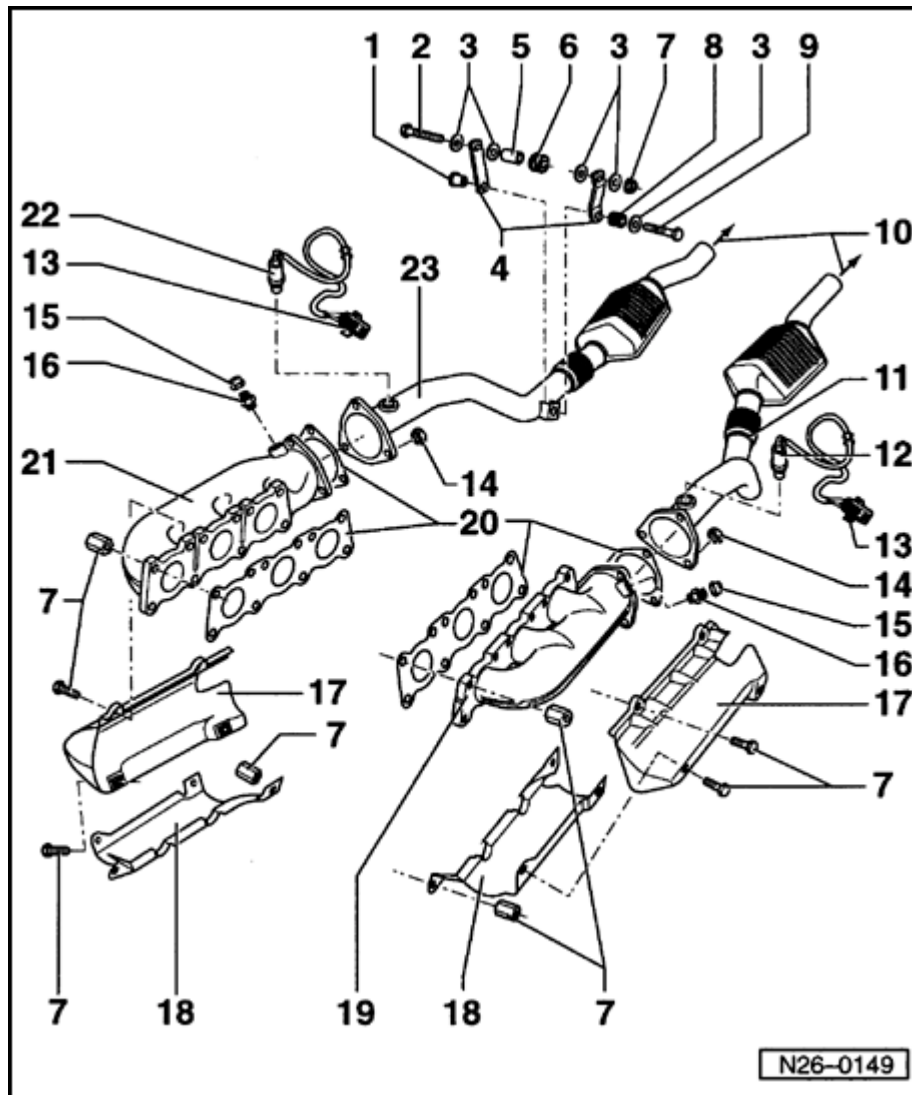
- ◆ The flexpipe in left and right exhaust pipes must not be bent more than 10°, otherwise it may be damaged

### 12 - Heated Oxygen Sensor (HO2S) 2 -G108-

- ◆ 50 Nm (37 ft lb)
- ◆ Only grease threads using "G5" ("G5" must not get into slots on body of sensor)
- ◆ Checking DTC memory ⇒ Repair Manual, 2.8 Liter V6 5V Fuel Injection & Ignition, Repair Group 01
- ◆ Checking components and heating function ⇒ Repair Manual, 2.8 Liter V6 5V Fuel Injection & Ignition, Repair Group 24

### **CAUTION!**

**Part numbers are listed here for reference only. Always check with your Parts department for the latest information.**

**13 - 4-pin harness connectors**

- ◆ Black
- ◆ Mounted to bulkhead
- ◆ For Heated Oxygen Sensors (HO2S) and for heating function

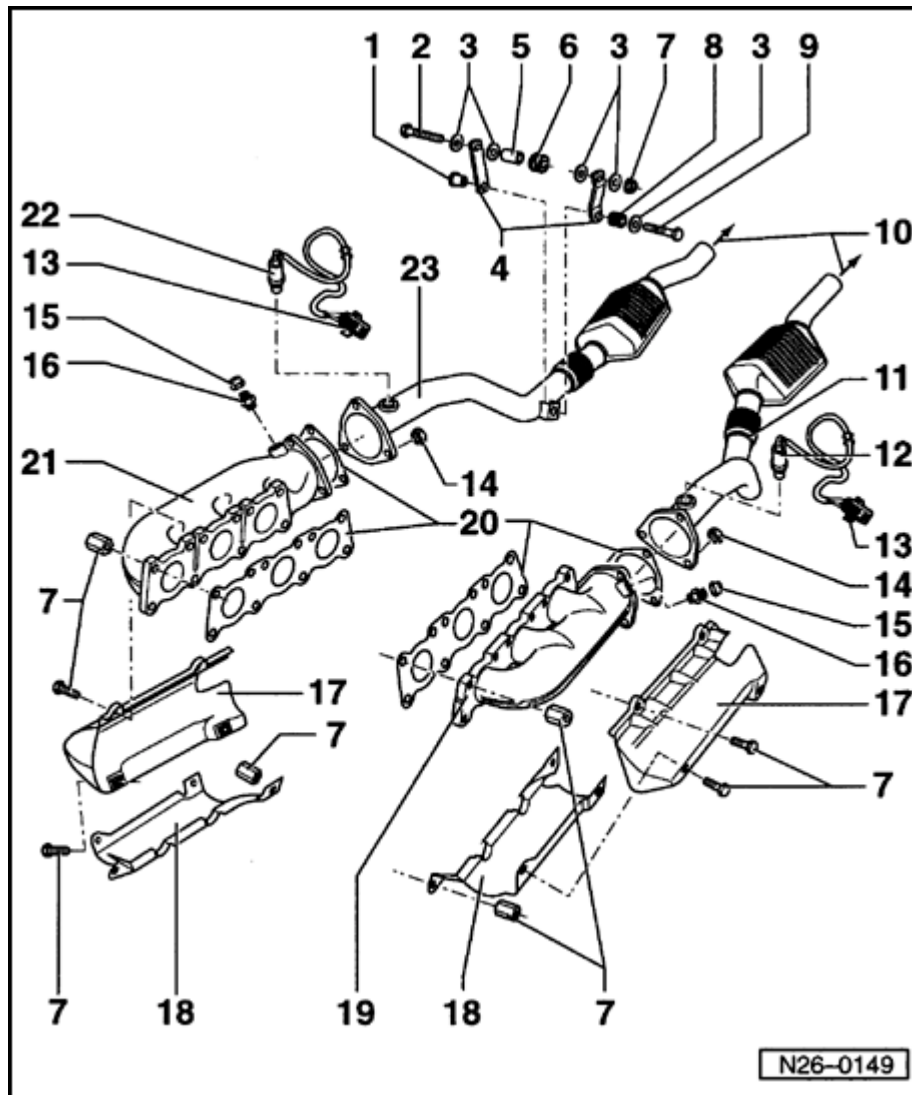
**14 - 25 Nm (18 ft lb)****15 - Cover cap**

- ◆ 10 Nm (7 ft lb)

**16 - Connection****17 - Upper heat shield****18 - Lower heat shield****19 - Left-side exhaust manifold****20 - Gaskets**

- ◆ Always replace

**21 - Right-side exhaust manifold**



### 22 - Heated Oxygen Sensor (HO2S) -G39-

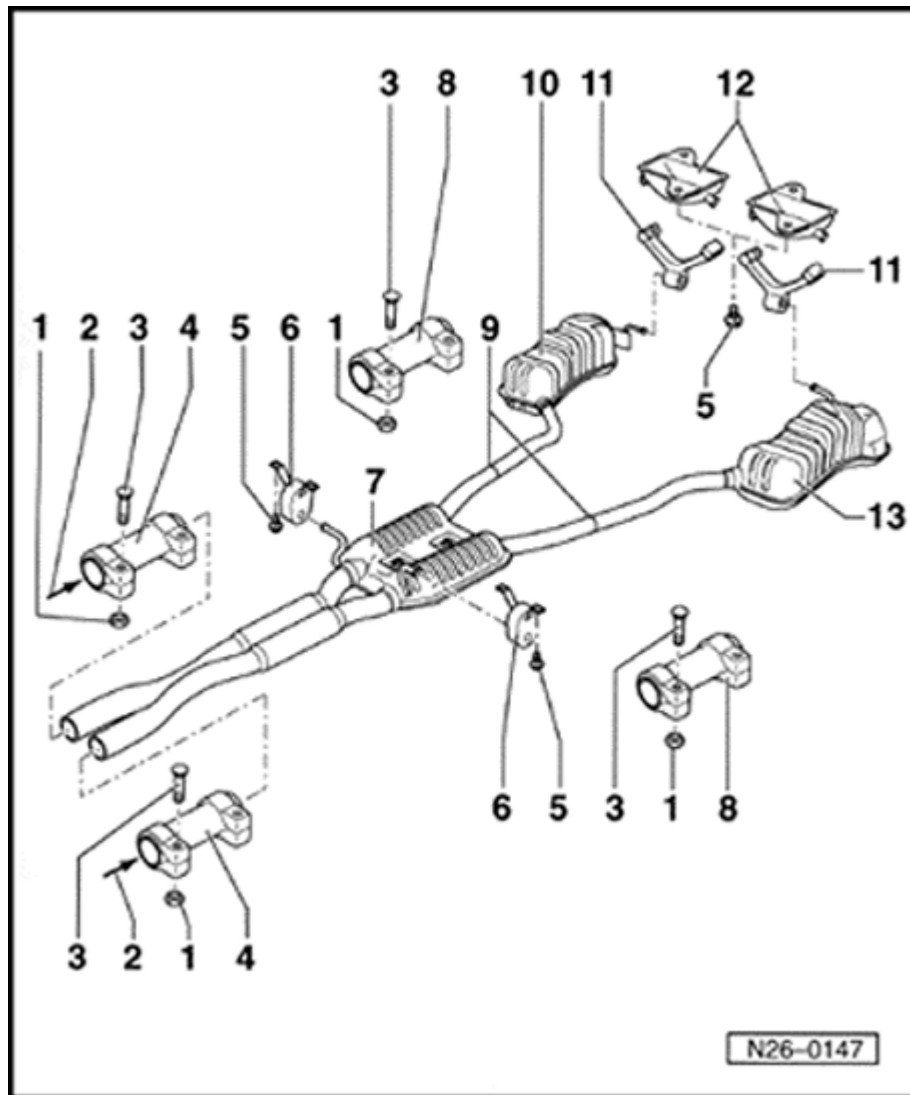
- ◆ 50 Nm (37 ft lb)
- ◆ Only grease threads with "G5" ("G5" must not get into slots on body of sensor)
- ◆ Checking DTC memory ⇒ Repair Manual, 2.8 Liter V6 5V Fuel Injection & Ignition, Repair Group 01
- ◆ Checking components and heating function ⇒ Repair Manual, 2.8 Liter V6 5V Fuel Injection & Ignition, Repair Group 24

### **CAUTION!**

**Part numbers are listed here for reference only. Always check with your Parts department for the latest information.**

### 23 - Right-front exhaust pipe with Three Way Catalytic Converter (TWC)

- ◆ The flexpipe in left and right exhaust pipes must not be bent more than 10°, otherwise it may be damaged



## Mufflers with mounts

### Vehicles with all-wheel drive

Vehicles with front-wheel-drive ⇒ [page 26-9](#) .

1 - 40 Nm (30 ft lb)

2 - From Three Way Catalytic Converter (TWC)

3 - Carriage bolts

4 - Double clamp

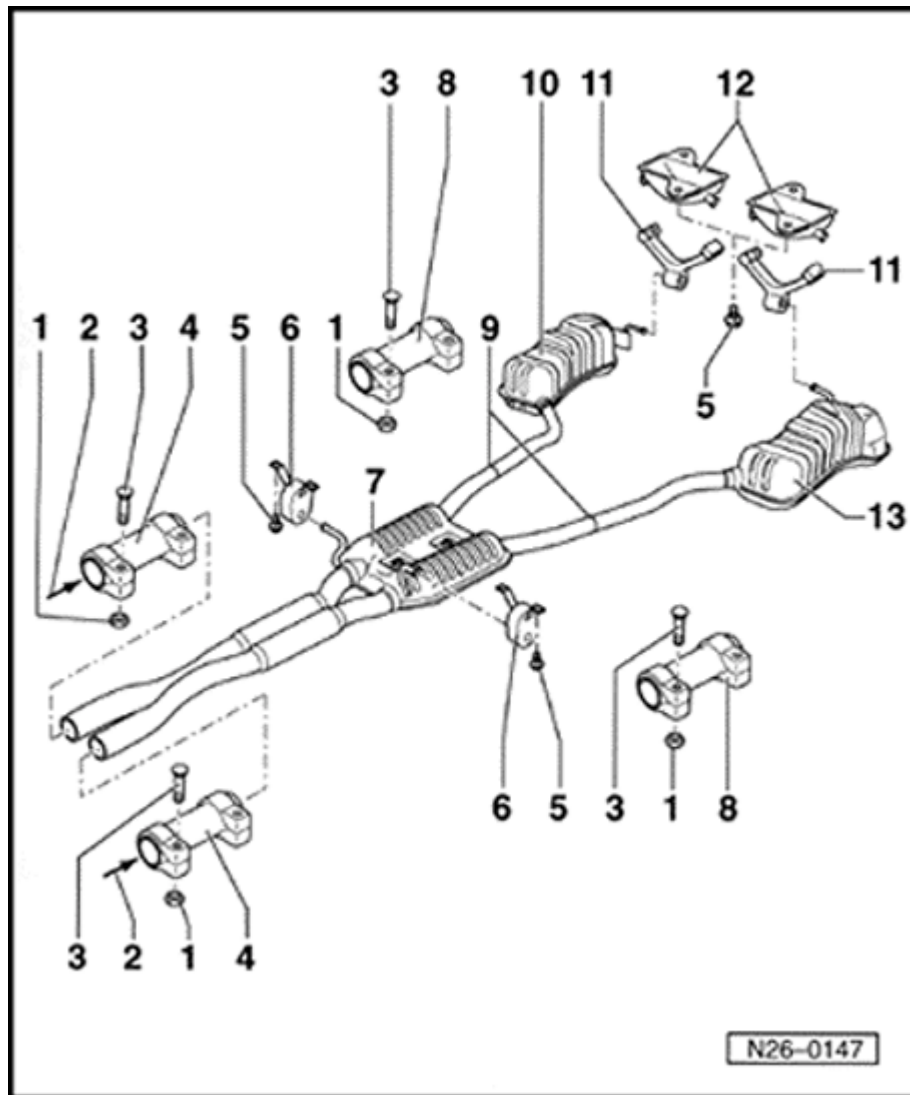
5 - 25 Nm (18 ft lb)

6 - Mounts

◆ With retaining ring

7 - Center muffler

8 - Double clamp (for repair)



### 9 - Separating points

- ◆ At factory, center and rear mufflers are installed as single component. Replacement center and rear mufflers are supplied separately, with double clamp for connecting joint
- ◆ Cutting through at separating point ⇒ [Fig. 1](#)

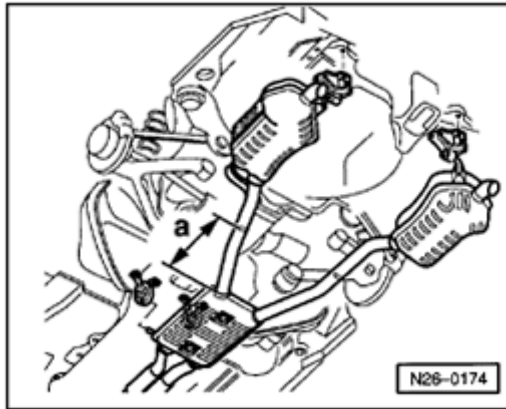
10 - Right-rear muffler

11 - Mounts

12 - Brackets

13 - Left-rear muffler





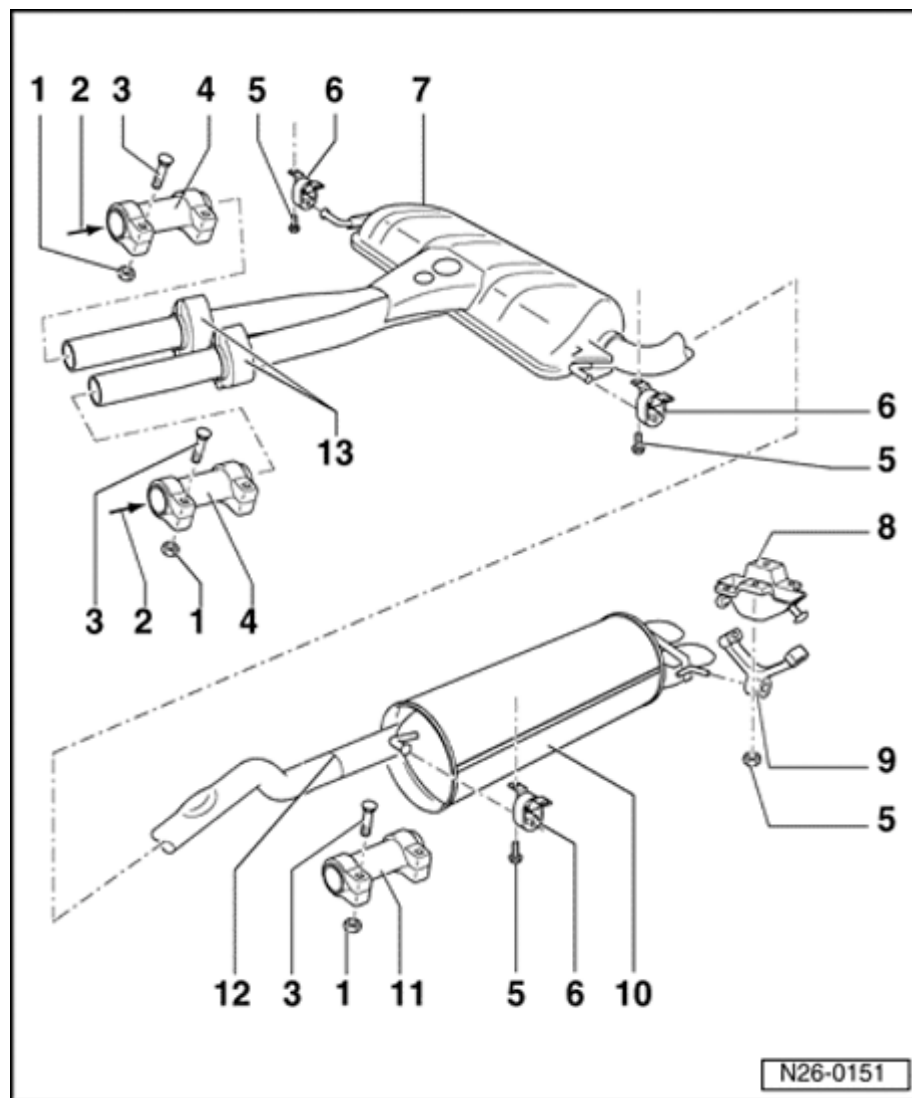
A

**Fig. 1 Separating point between front and rear mufflers**

### Cutting

- Using VAG1523 body saw, cut through connecting pipe between center muffler and rear muffler at groove.

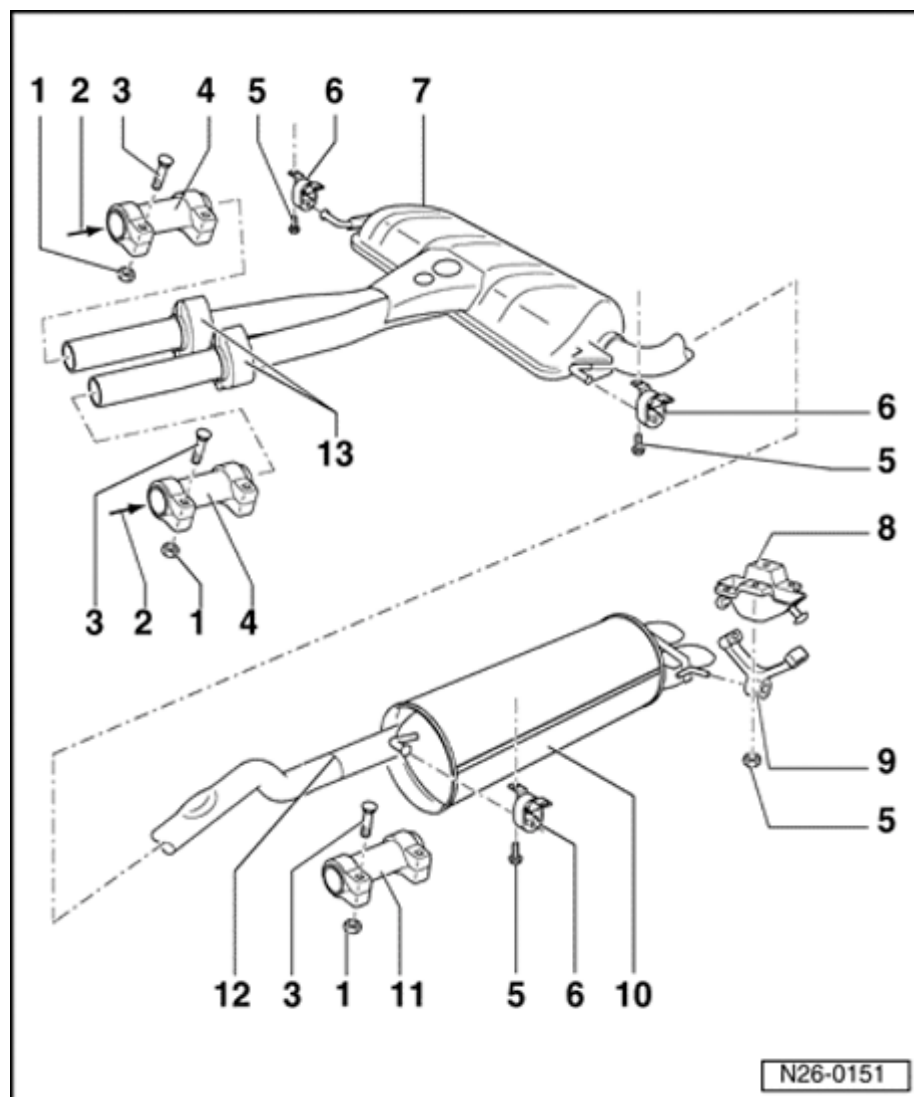
Distance -a-: approx. 244 mm (9-1/2 in.).



### Vehicles with front wheel drive

- 1 - 40 Nm (30 ft lb)
- 2 - From Three Way Catalytic Converter (TWC)
- 3 - Carriage bolts
- 4 - Double clamps
- 5 - 25 Nm (18 ft lb)
- 6 - Mounts
  - ◆ With retaining ring
- 7 - Center muffler
- 8 - Bracket
- 9 - Mount
- 10 - Rear muffler
- 11 - Double clamp (for repair)

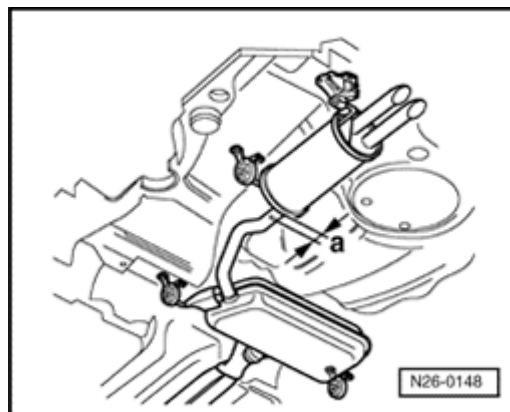
26-10



## 12 - Separating point

- ◆ At factory, center and rear mufflers are installed as single component. Replacement center and rear mufflers are supplied separately, with double clamp for connecting joint
- ◆ Cutting through at separating point ⇒ [Fig. 1](#)

## 13 - To front mufflers

**A****Fig. 1 Separating point between front and rear mufflers****Cutting**

- Using VAG1523 body saw, cut through connecting pipe between center muffler and rear muffler at groove.

Distance -a-: approx. 182 mm (7 in.).