

## Engine, disassembling and assembling

### Lock carrier, moving into service position

#### Special tools and equipment

3369 support tool

#### 1 - Bolts

◆ 45 Nm (33 ft lb)

#### 2 - Bolts

◆ 45 Nm (33 ft lb)

#### 3 - Bolts

◆ 10 Nm (7 ft lb)

#### 4 - Bolts

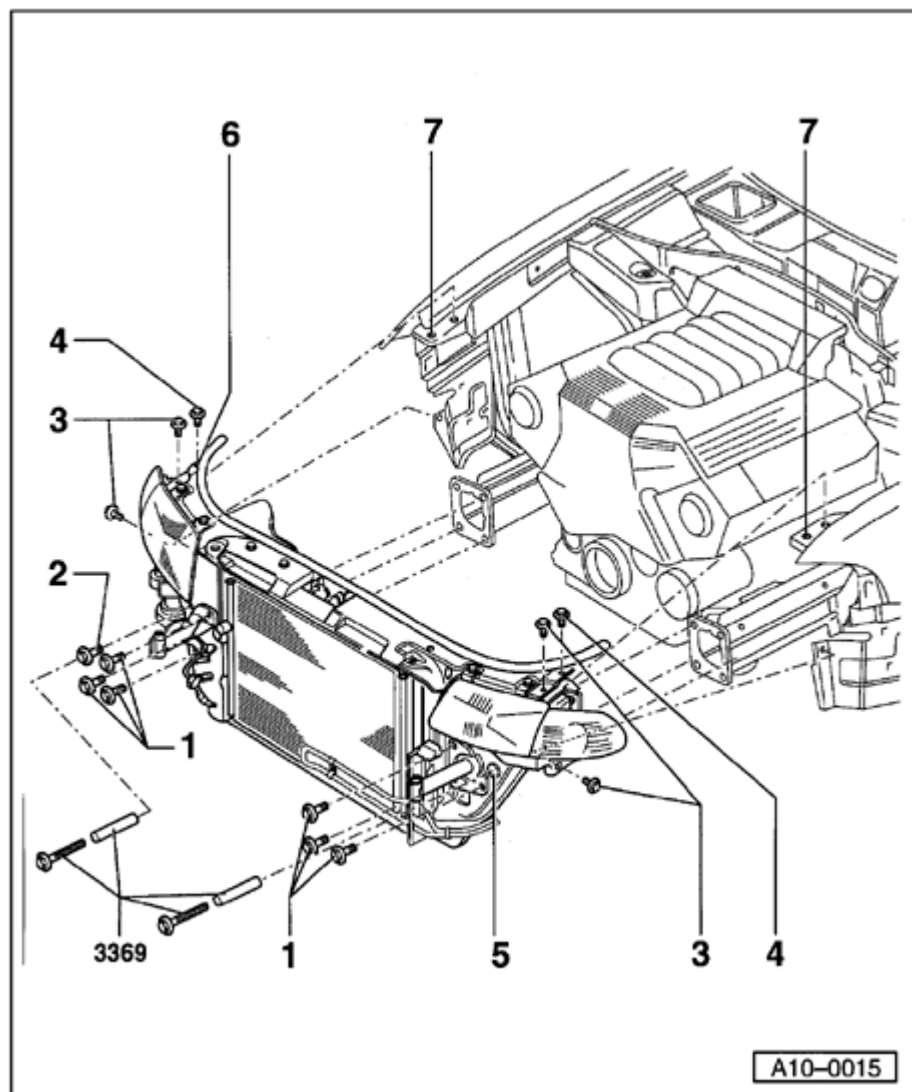
◆ 10 Nm (7 ft lb)

#### 5 - Bore

◆ For 3369 support tool

#### 6 - Lock carrier bore

#### 7 - Fender bore



- Remove front bumper.

⇒ [Repair Manual, Body Exterior, Repair Group 63](#)

- Remove 3 quick-release screws on front of noise insulation panel.

- Unbolt air guide between lock carrier and air cleaner at lock carrier.

- If installed, remove retaining clamps for wiring harness on left side of radiator frame.

- Remove bolt -2- and install 3369 support tool.

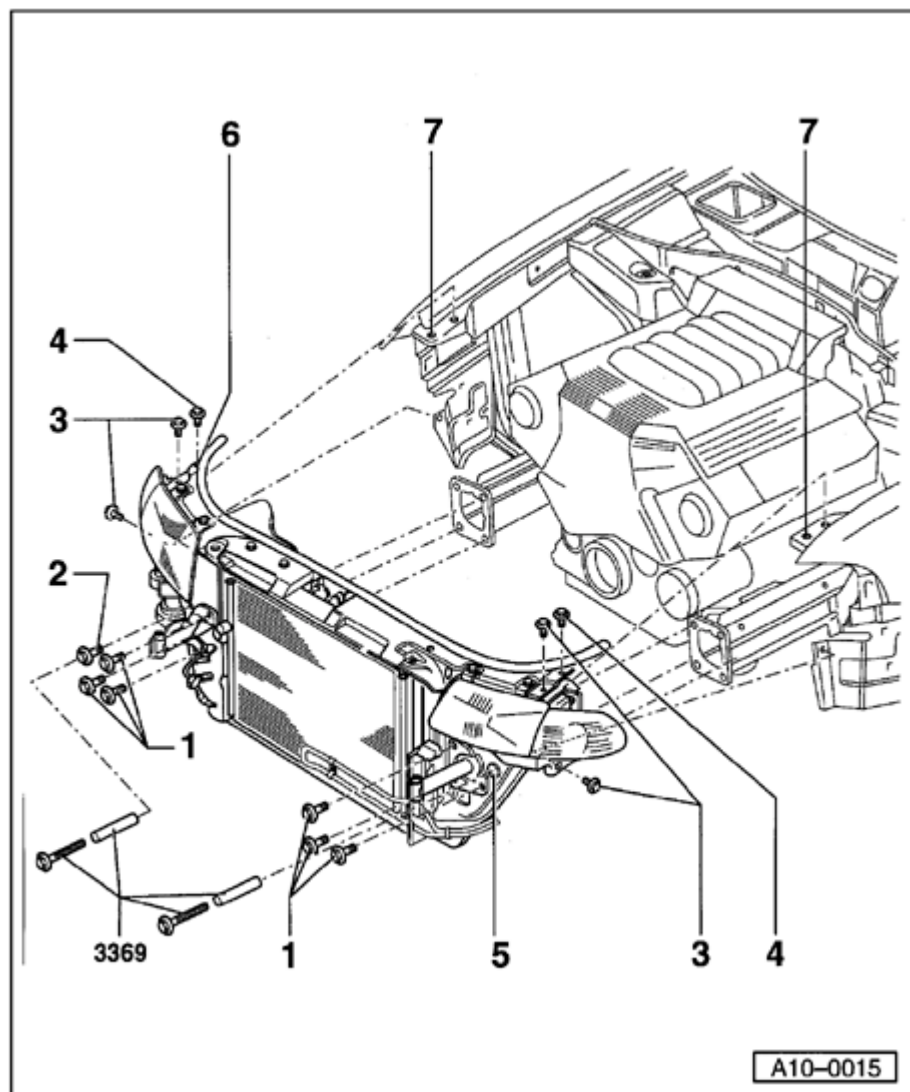
- Install 3369 support tool into left bore -5-.

- Remove bolts -1- and -3-.

- Remove bolts -4- and pull lock carrier out to stop.

- To secure lock carrier, install appropriate M6 bolts into rear bored holes of lock carrier -6- and fender -7-.

13-3



- After installing lock carrier, check wiring for proper routing near coolant fan.
- Install front bumper.

⇒ [Repair Manual, Body Exterior, Repair Group 63](#)