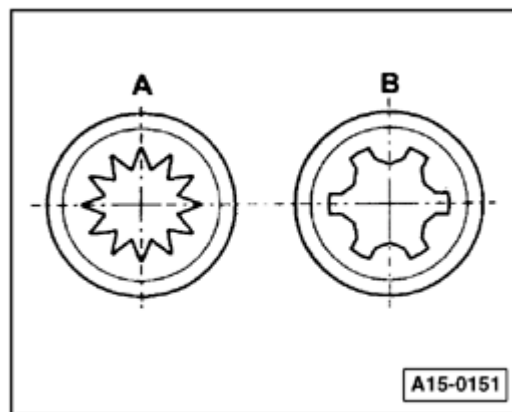


Cylinder head bolts, conversion from inner 12- point to Polydrive



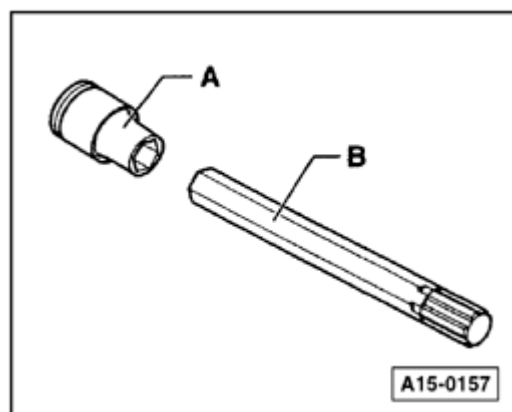
A Conversion of cylinder head bolts from inner 12-point to Polydrive bolts. Conversion is a running-change

A - Bolt with inner 12-point (old version). Remove and install using socket insert 3410

B - Bolt with Polydrive head (new version). Remove and install using Polydrive key 3452

Note:

Before removing or installing the cylinder head bolts, check which version of the bolt is installed.



A Special tool -B- is inserted in a socket insert -A- for assembly.

A - 10 mm socket insert (locally available)

B - Polydrive key 3452

Cylinder head bolts tightening sequence and torques remain unchanged
⇒ [Page 15-25](#) .