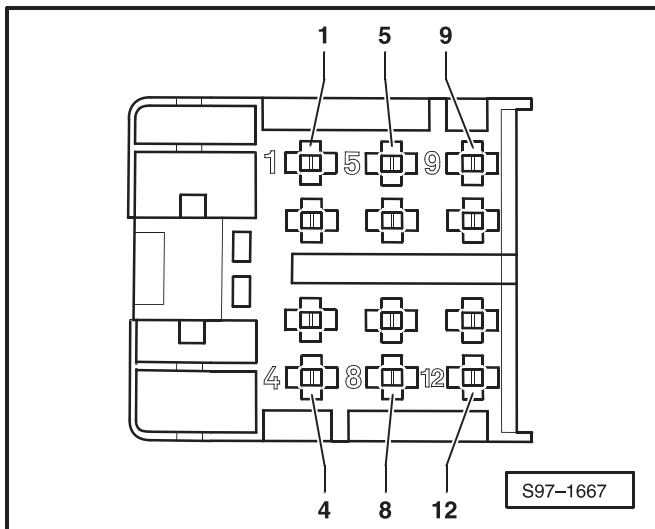
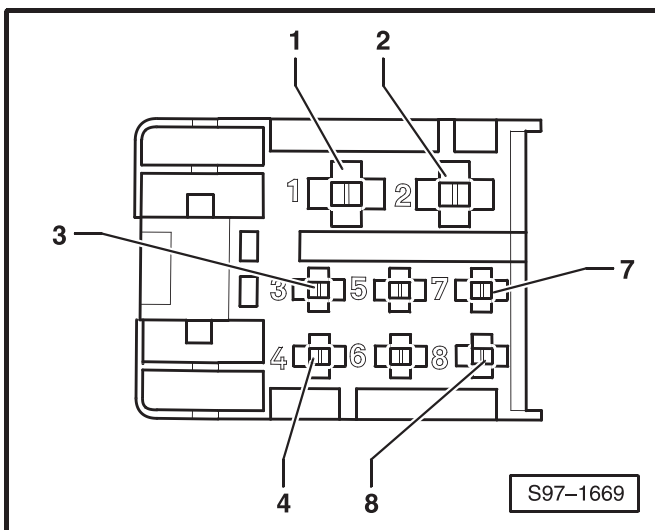


12-pin plug contact assignment of front right door control unit

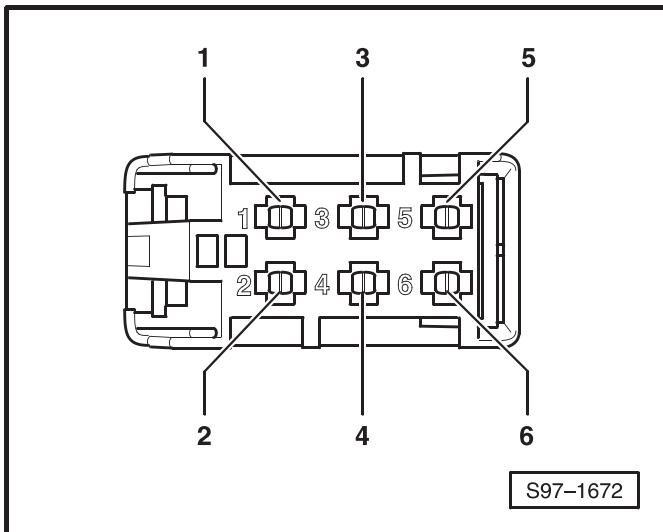


- 1 - T12f/1 Front passenger side mirror adjustment motor
- 5 - T12f/5 Front passenger side mirror adjustment motor
- 6 - T12f/6 Front passenger side mirror adjustment motor
- 8 - T12f/8 Front passenger side heated exterior mirror
- 10 - T12f/10 Front passenger side heated exterior mirror

8-pin plug contact assignment of front right door control unit

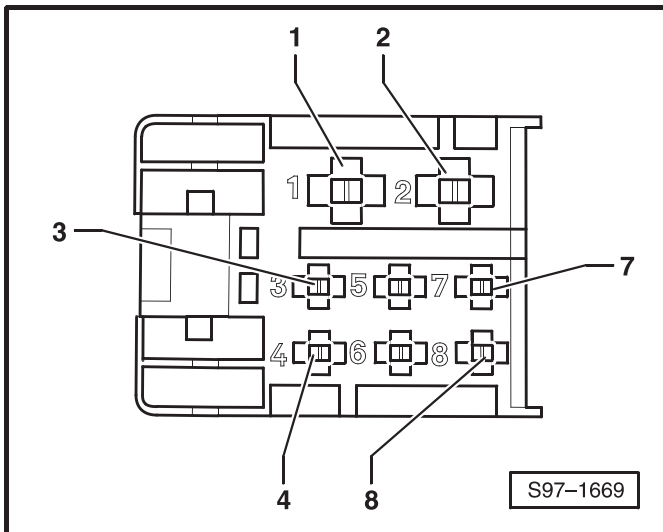


- 1 - T8i/1 Positive connection 30a, via fuse SB 46
- 2 - T8i/2 Earth
- 4 - T8i/4 Data bus CAN-High, comfort
- 5 - T8i/5 Onboard supply control unit
- 6 - T8i/6 Data bus CAN-Low, comfort

6-pin plug contact assignment of front right door control unit

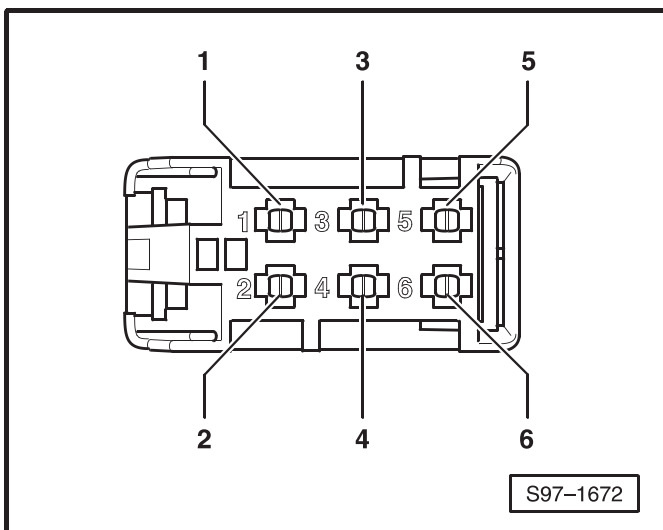
- 1 - T6p/1 Window regulator switch in front passenger door
- 2 - T6p/2 Window regulator switch light bulb
- 4 - T6p/4 Earth

8-pin plug contact assignment of rear left or right door control unit



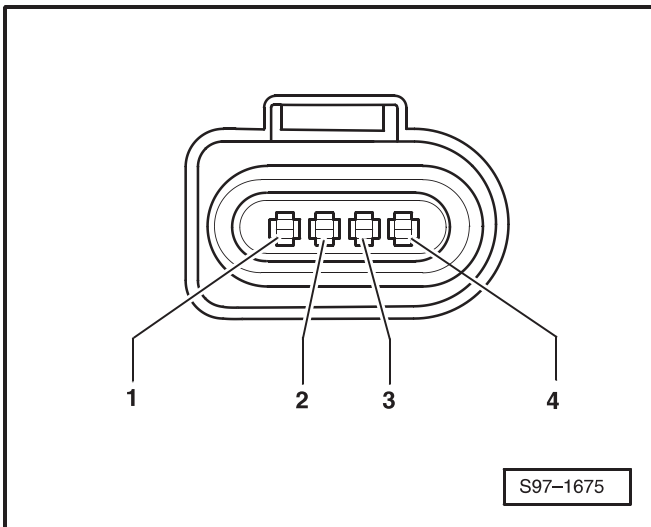
- 1 - T8j/1 Positive connection 30a, via fuse
or
SB 66 or SB 53
T8k/1
- 2 - T8j/2 Earth
or
T8k/2
- 4 - T8j/4 Data bus CAN-High, comfort
or
T8k/4
- 6 - T8j/6 Data bus CAN-Low, comfort
or
T8k/6

6-pin plug contact assignment of rear left or right door control unit



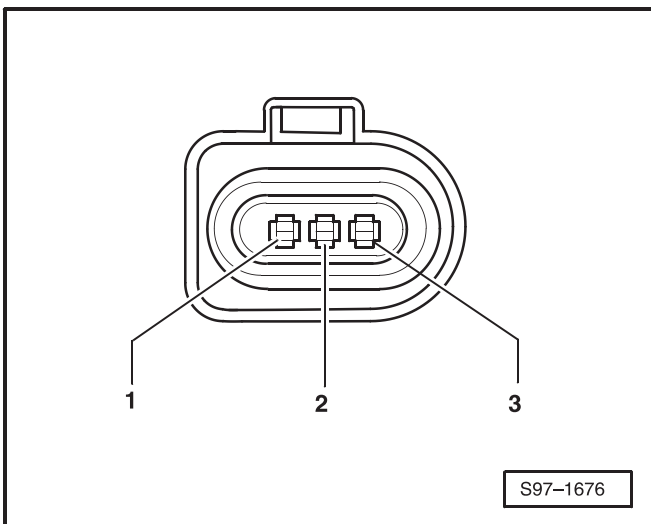
- 1 - T6r/1 Rear window regulator isolation
or
switch
T6s/1
- 2 - T6r/2 Window regulator switch light bulb
or
T6s/2
- 4 - T6r/4 Earth
or
T6s/4

4-pin plug contact assignment of power steering control unit (TRW, KOYO)



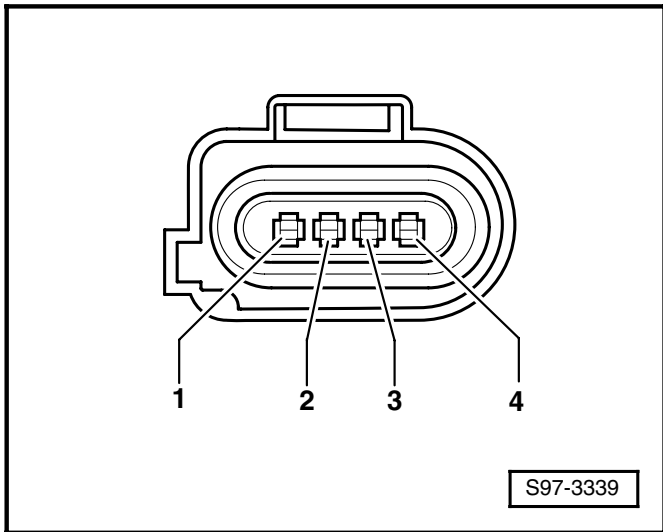
- 1 - T4r/1 Data bus CAN-Low
- 2 - T4r/2 Data bus CAN-High
- 4 - T4r/4 Positive connection 15a, via fuse SB7

3-pin plug contact assignment of power steering control unit (TRW)



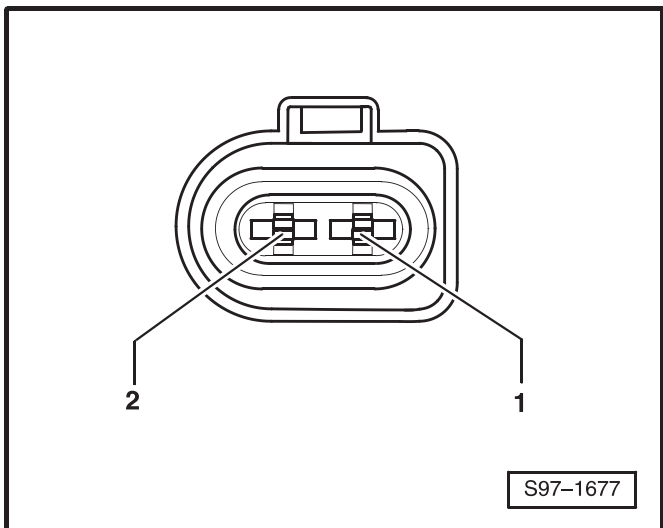
- 1 - T3s/1 Power steering sensor
- 2 - T3s/2 Power steering sensor
- 3 - T3s/3 Power steering sensor

4-pin plug contact assignment of power steering control unit (KOYO)



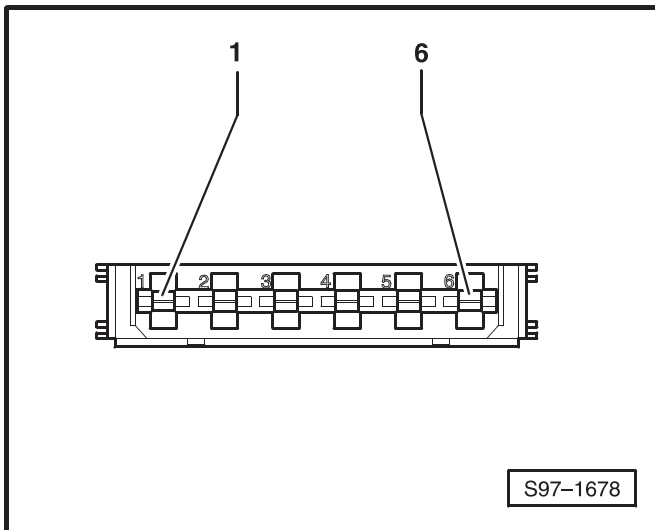
- 1 - T4z/1 Power steering sensor
- 2 - T4z/2 Power steering sensor
- 3 - T4z/3 Power steering sensor
- 4 - T4z/4 Power steering sensor

2-pin plug contact assignment of power steering control unit (TRW, KOYO)



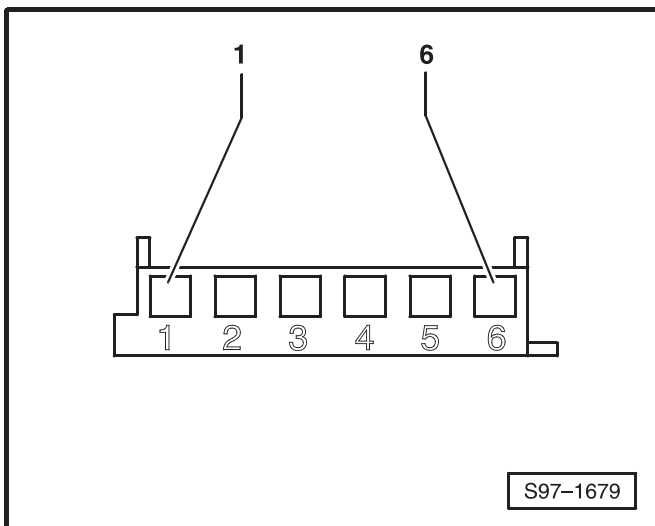
- 1 - T2a/1 Positive connection 30, via fuse S164 on battery
- 2 - T2a/2 Earth

Plug contact assignment of sliding sunroof adjustment control unit



- 1 - T6e/1 Earth
- 2 - T6e/2 Onboard supply control unit
- 3 - T6e/3 Convenience system central control unit (only for vehicles with central locking)
- 4 - T6e/4 Positive connection 30a, via fuse SB 62
- 6 - T6e/6 Vehicle speed signal

Plug contact assignment of sliding sunroof adjustment regulator



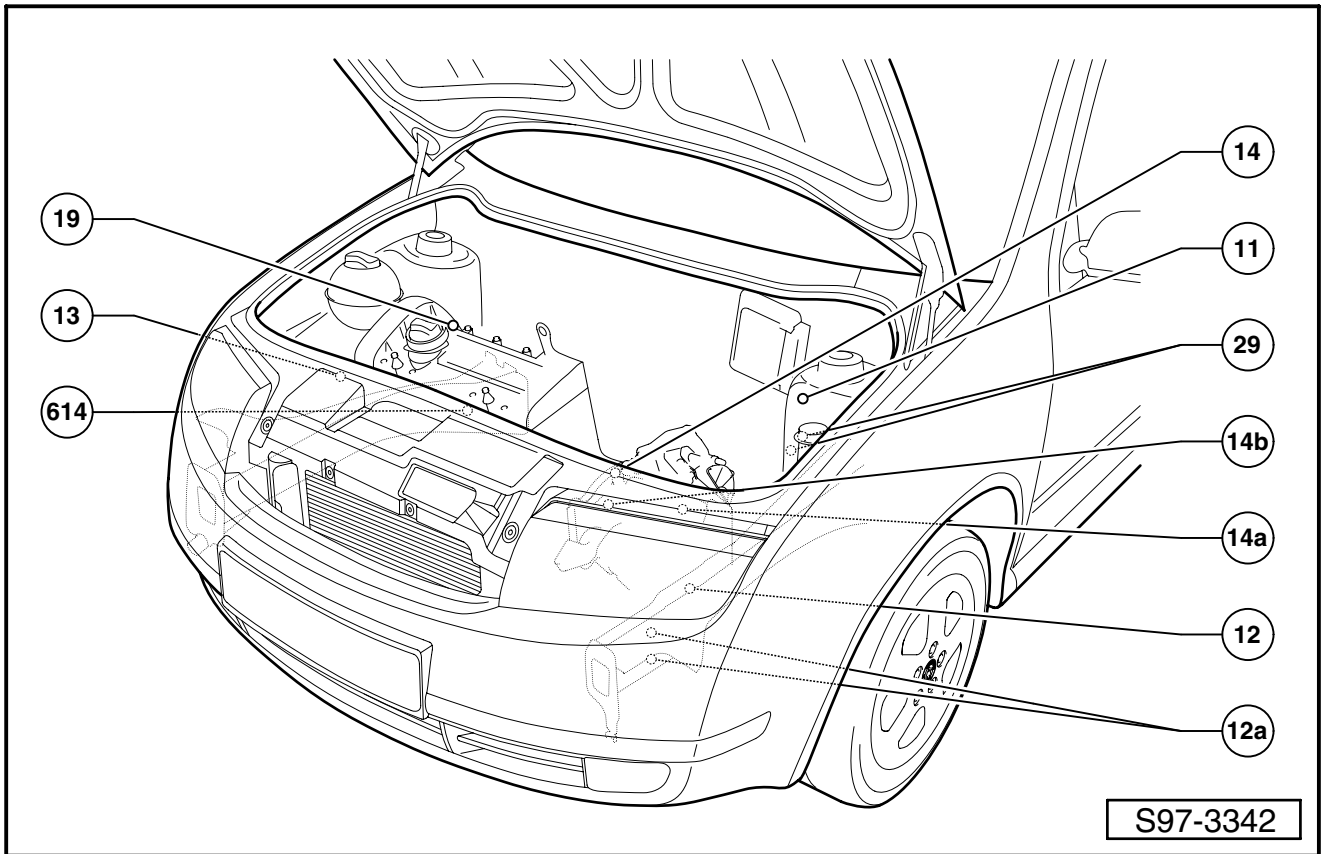
- 1 - T6f/1 5 Volt Voltage supply
- 2 - T6f/2 Earth
- 3 - T6f/3 Potentiometer
- 5 - T6f/5 Press function emergency closed
- 6 - T6f/6 Earth

Earth points

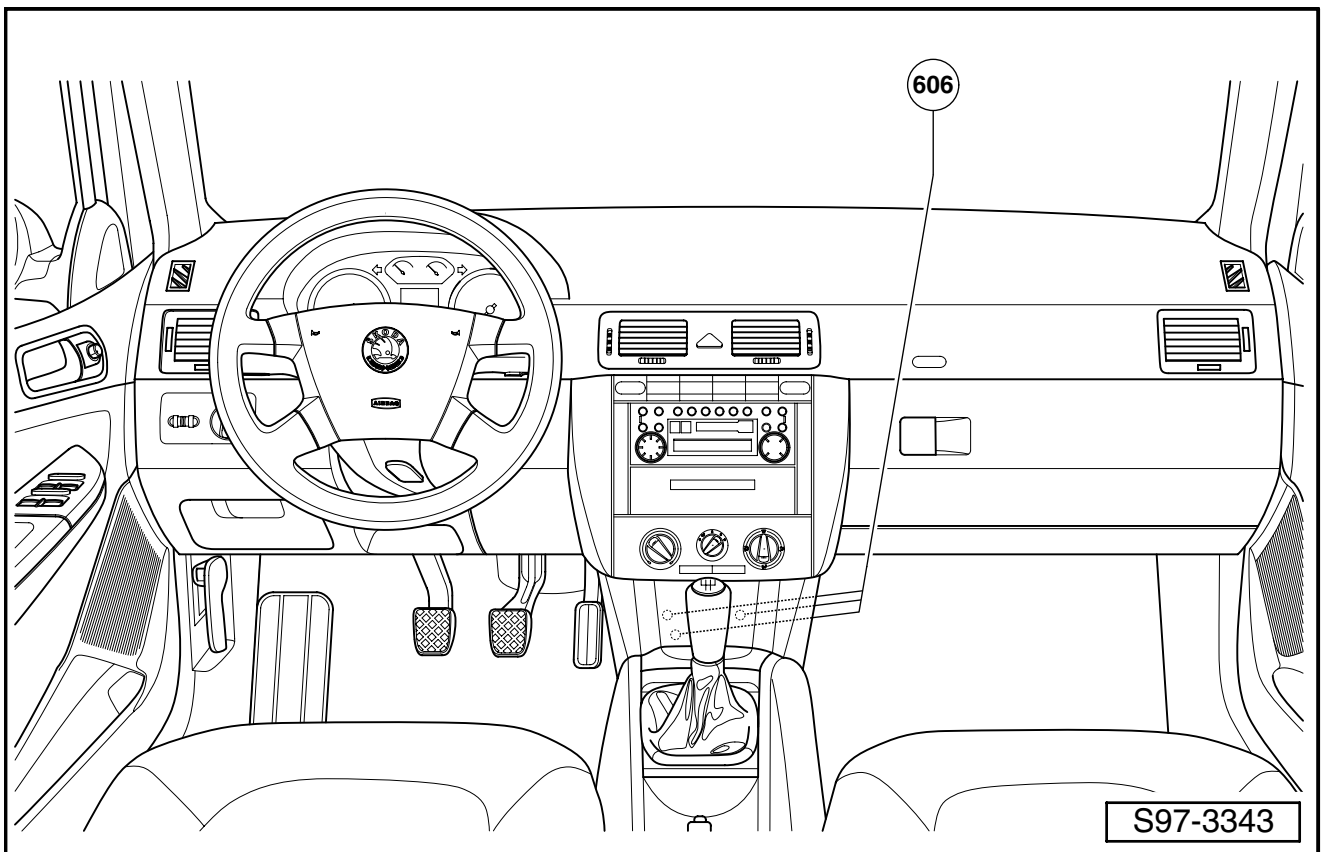
Contents overview

- Overview of earth points in engine compartment 3/2
- Overview of earth points in interior compartment 3/2
- Overview of earth points in interior compartment 3/3
- Overview of earth points in luggage compartment - Fabia 3/3
- Overview of earth points in luggage compartment - Fabia Estate 3/4
- Overview of earth points in luggage compartment - Fabia Saloon 3/4

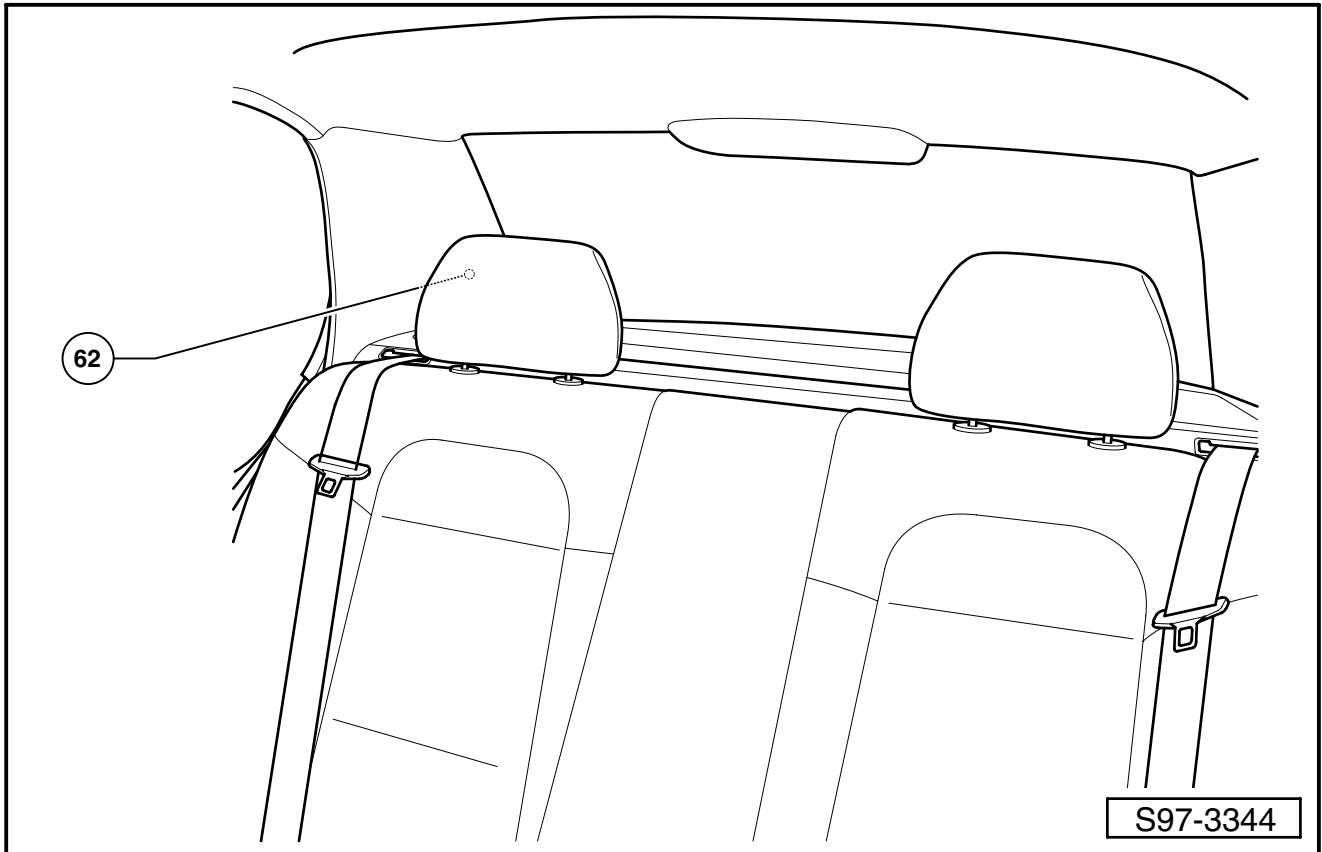
Overview of earth points in engine compartment



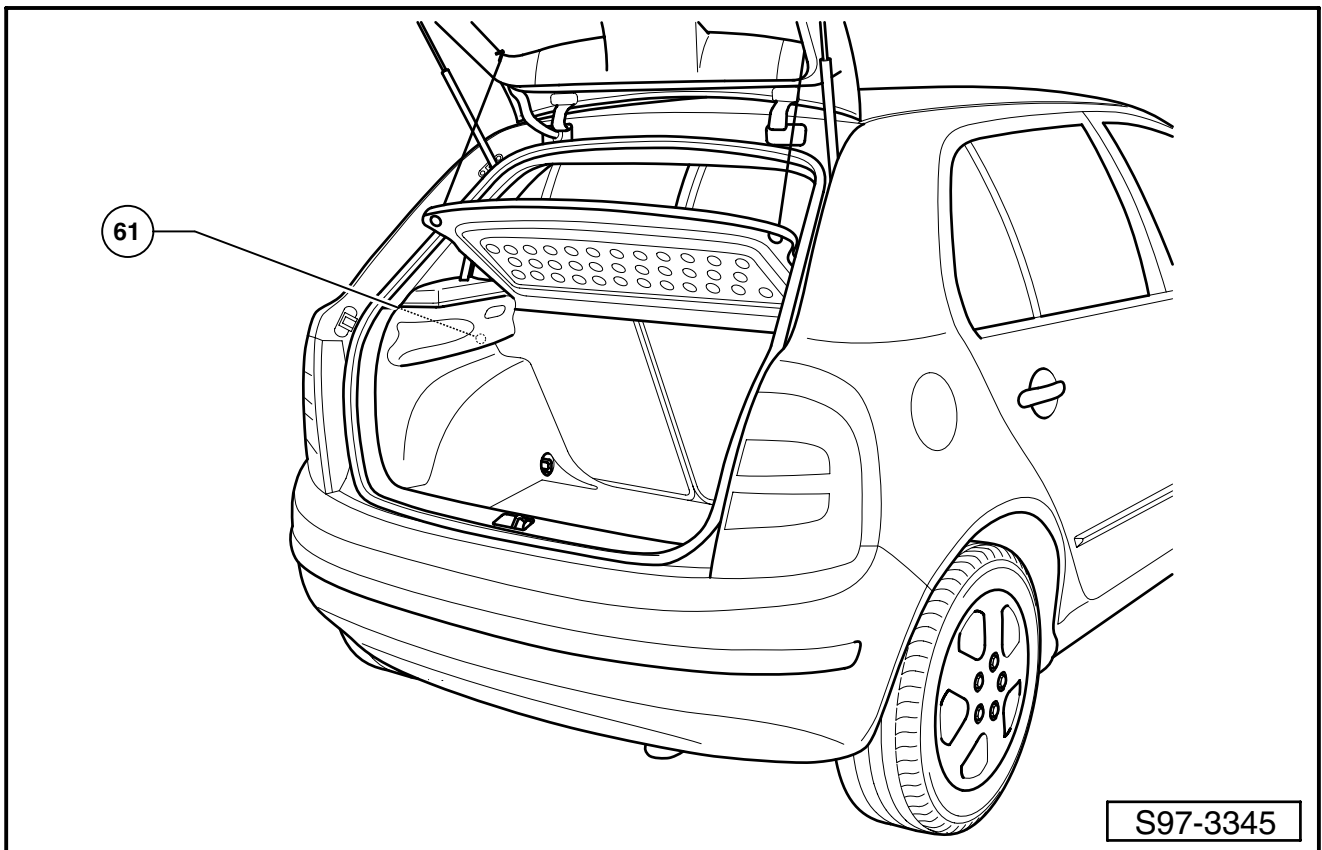
Overview of earth points in interior



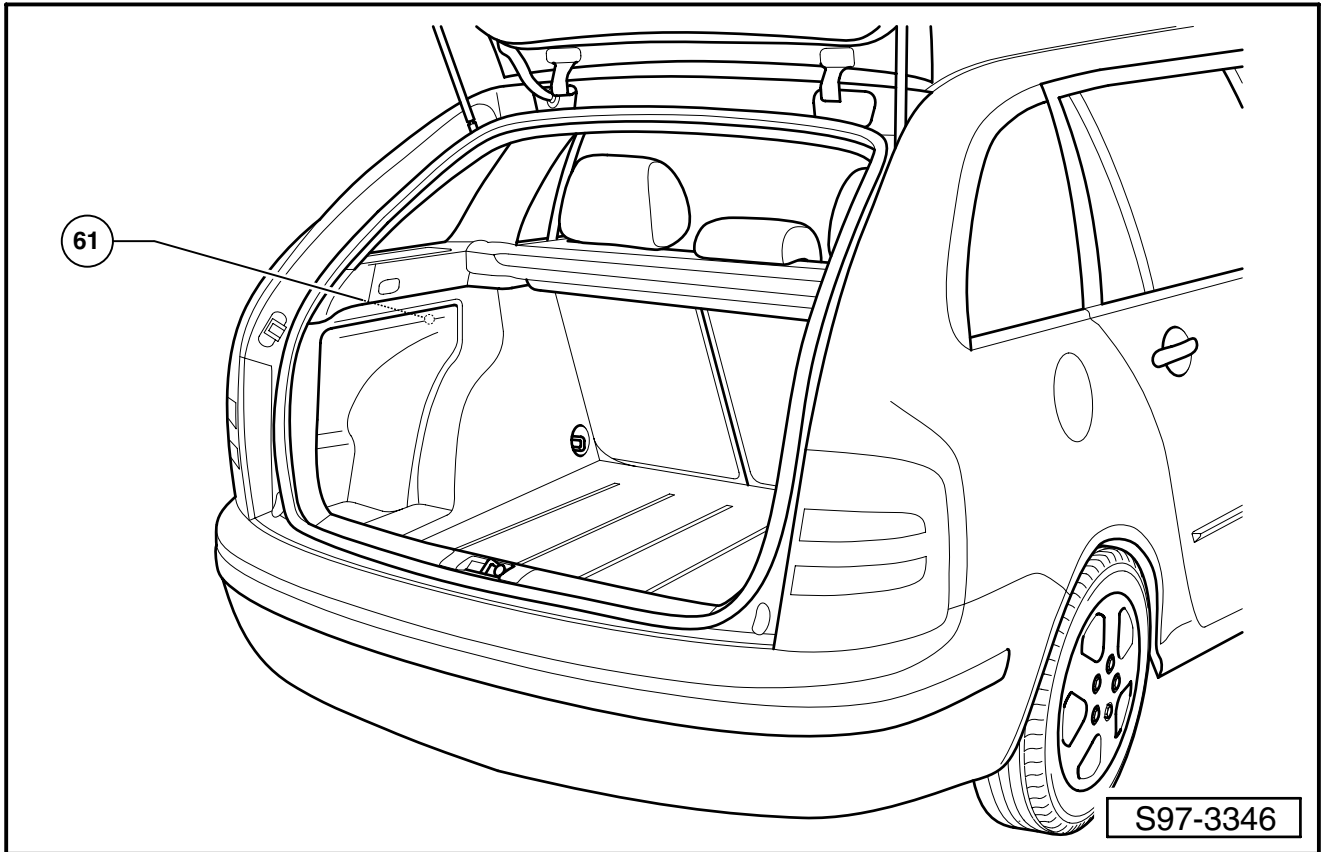
Overview of earth points in interior



Overview of earth points in luggage compartment - Fabia



Overview of earth points in luggage compartment - Fabia Estate.



Overview of earth points in luggage compartment - Fabia Saloon

