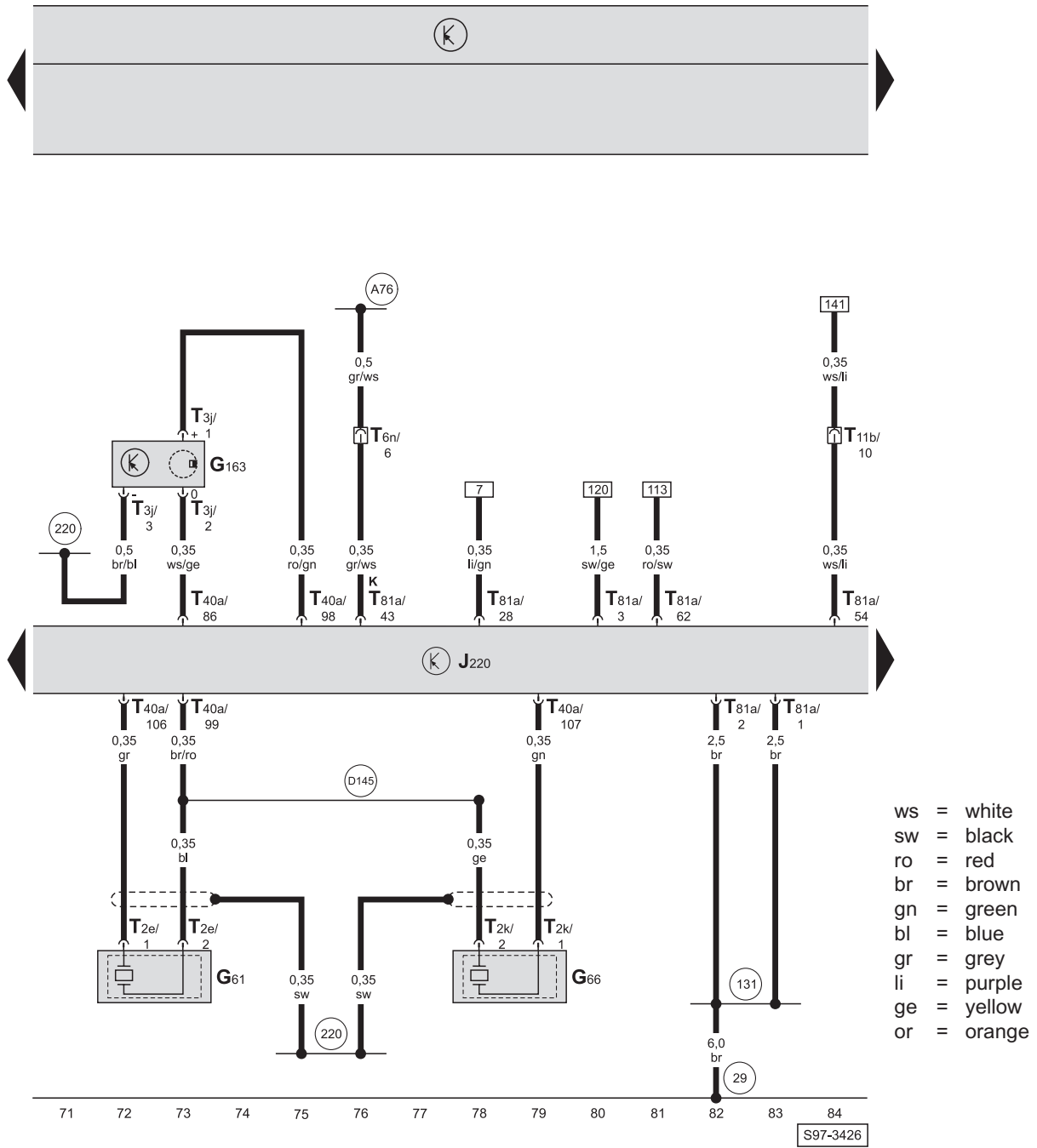


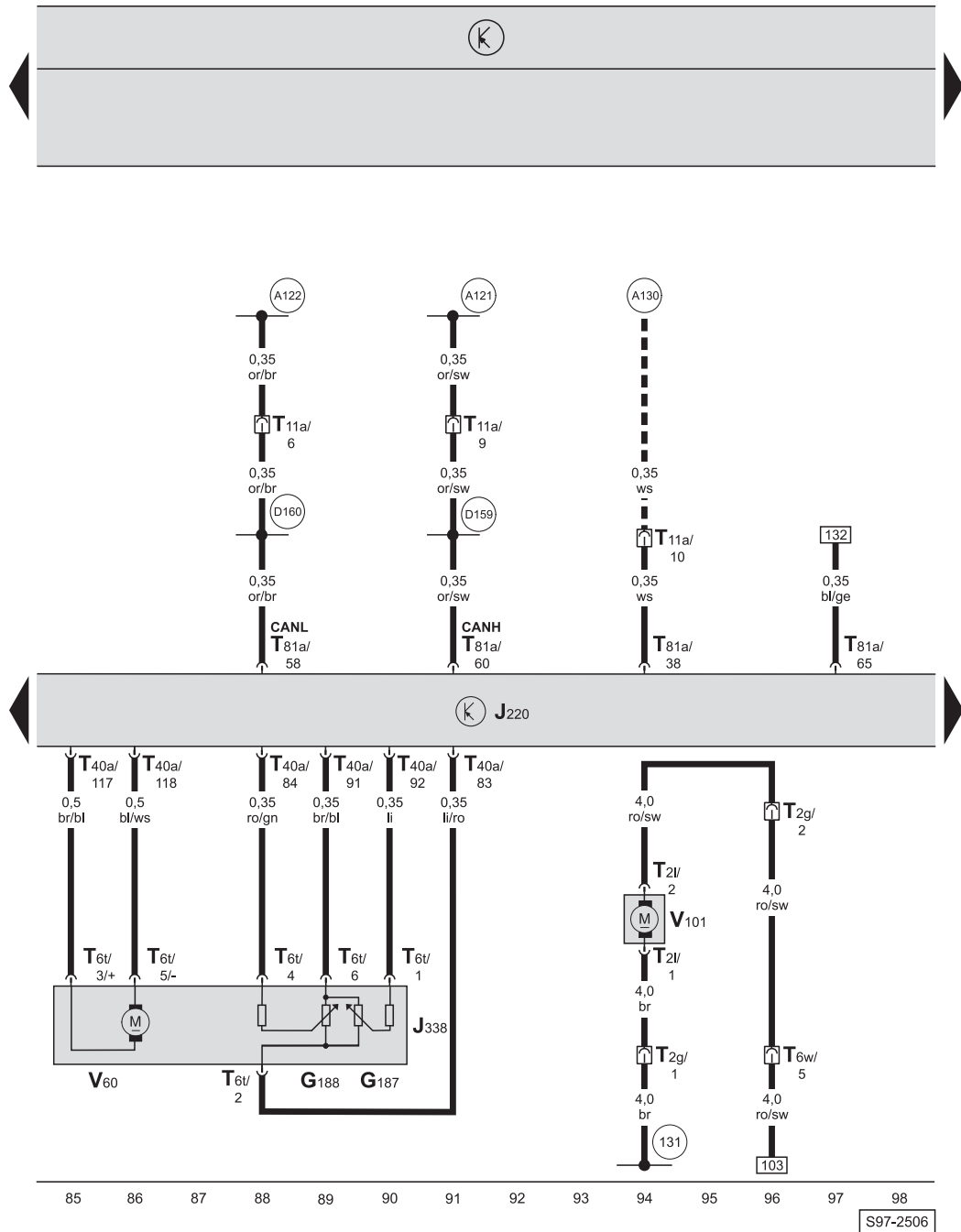
Motronic control unit, knock sensor I, knock sensor II, camshaft position sender



- G61 - Knock sensor I
- G66 - Knock sensor II
- G163 - Camshaft position sender
- J220 - Motronic control unit
- T2e - 2-pin connector, at knock sensor I
- T2k - 2-pin connector, at knock sensor II
- T3j - 3-pin connector, at camshaft position sender
- T6n - 6-pin connector, at left of bulkhead (blue)
- T11b - 11-pin connector, at left of bulkhead (red)
- T40a - 40-pin connector, at engine control unit
- T81a - 81-pin connector, at engine control unit

- 29 - Earth point, in left of engine compartment, behind battery (at suspension strut mounting)
- 131 - Earth connection -2-, in engine compartment wiring harness
- 220 - Earth connection (sender earth), in engine pre-wiring wiring harness
- A76 - Connection (K diagnosis wire), in wiring loom behind dash panel on left
- D145 - Connection (knock sensors), in engine pre-wiring wiring harness

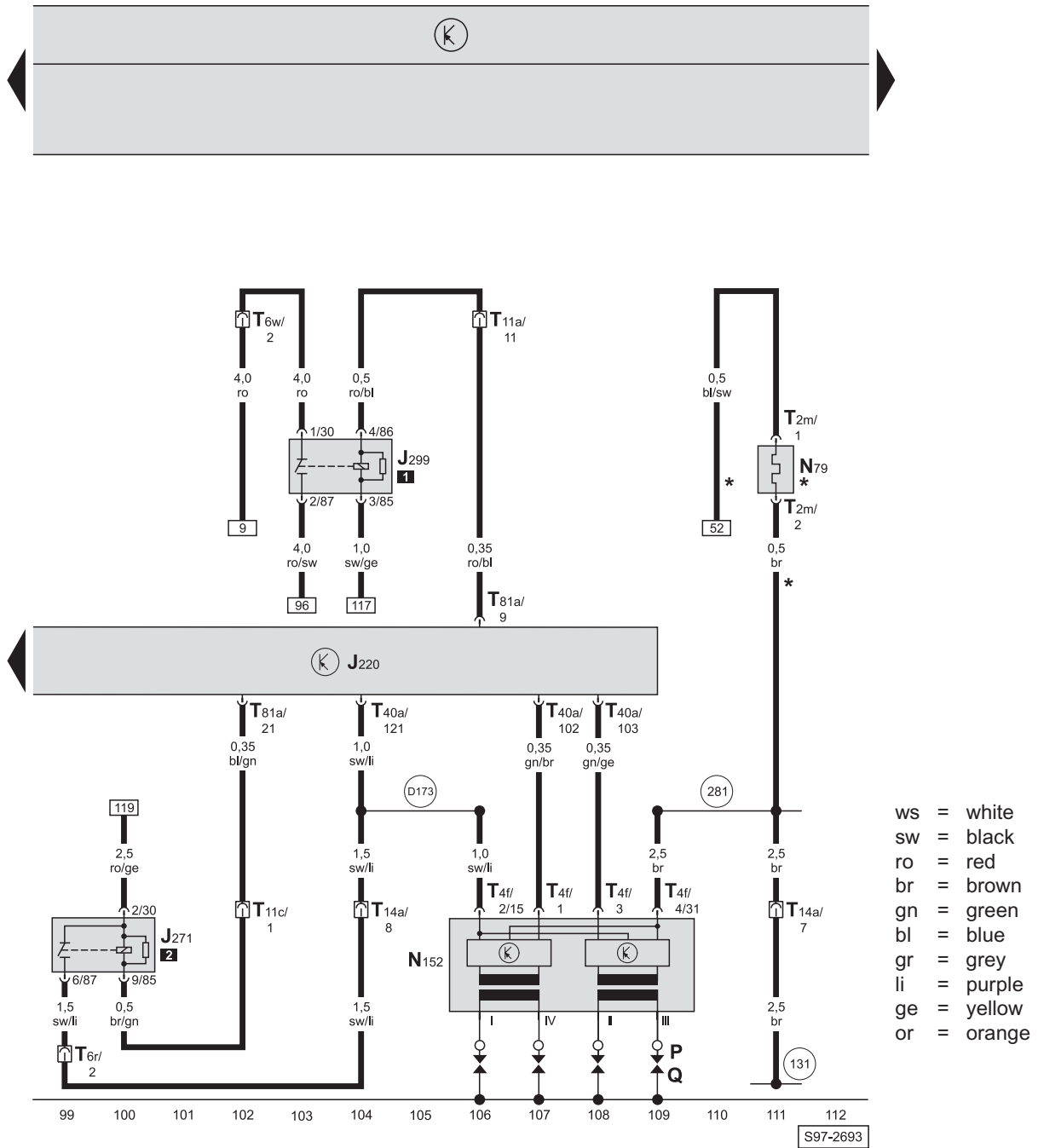
Motronic control unit, throttle valve control unit, secondary air pump motor



- G187 - Angle sender -1- for throttle valve drive (electric throttle operation)
- G188 - Angle sender -2- for throttle valve drive (electric throttle operation)
- J220 - Motronic control unit
- J338 - Throttle valve control unit
- T2g - 2-pin connector, in left of engine compartment (connection of engine assembly wiring loom/engine compartment wiring loom)
- T2l - 2-pin connector, at secondary air pump motor
- T6t - 6-pin connector, at throttle valve control unit
- T6w - 6-pin connector, at left of bulkhead (grey)
- T11a - 11-pin connector, at left of bulkhead (white)
- T40a - 40-pin connector, at engine control unit
- T81a - 81-pin connector, at engine control unit
- V60 - Throttle valve positioner
- V101 - Secondary air pump motor

- 131 - Earth connection -2-, in engine compartment wiring harness
- A121 - Connection (CAN-H), in wiring loom behind dash panel on
- A122 - Connection (CAN-L), in wiring loom behind dash panel
- A130 - Connection (CCS), in wiring loom behind dash panel on left
- D159 - Connection (CAN-H), in engine compartment wiring loom
- D160 - Connection (CAN-L), in engine compartment wiring loom
- - Applies only to models with CCS

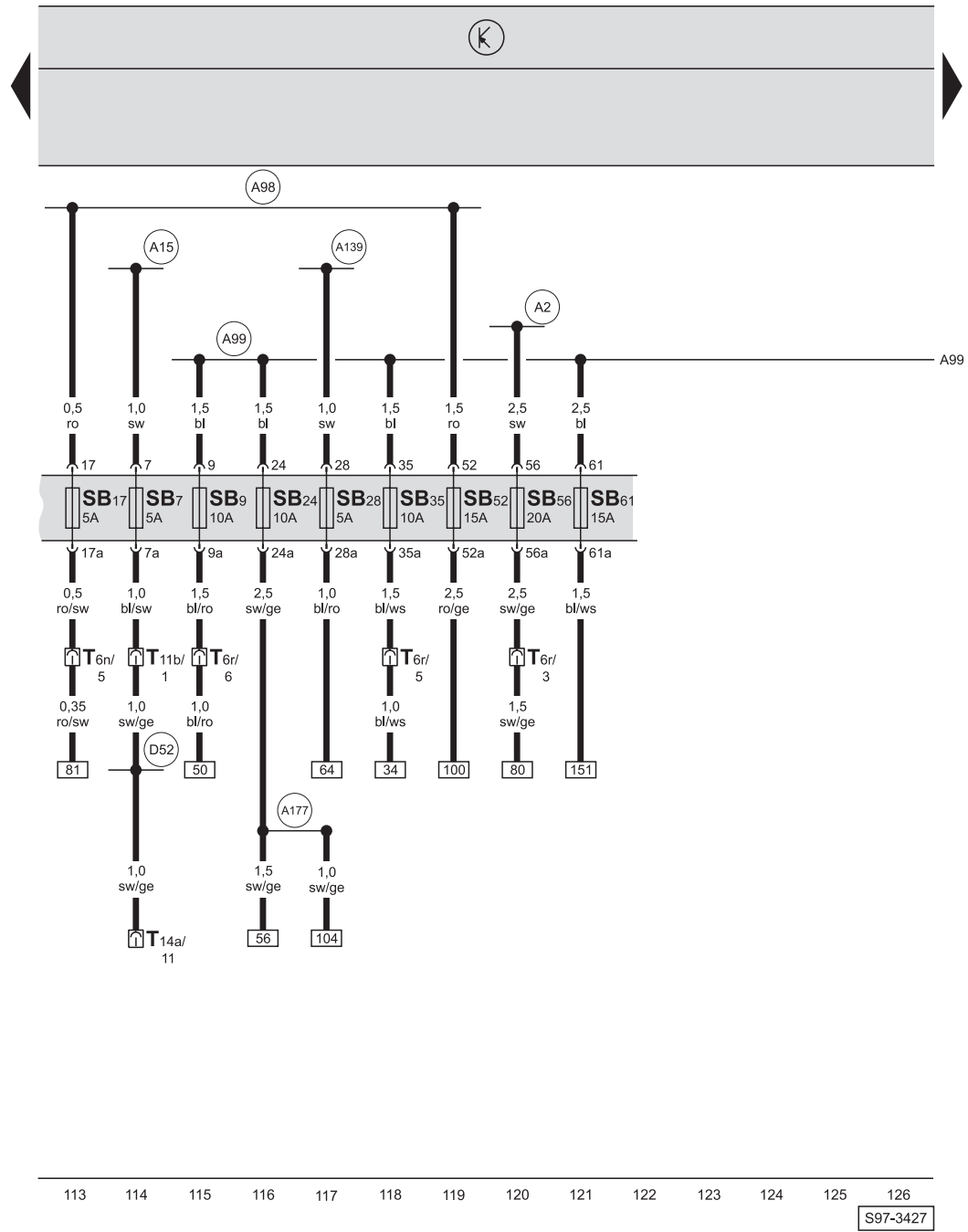
Motronic control unit, ignition system, secondary air pump relay



- J220 - Motronic control unit
- J271 - Motronic power supply relay
- J299 - Secondary air pump relay
- N79 - Crankcase breather heater element
- N152 - Ignition transformer
- P - Spark plug connector
- Q - Spark plugs
- T2m - 2-pin connector, at crankcase breather heater element
- T4f - 4-pin connector, at ignition transformer
- T6r - 6-pin connector, at left of bulkhead (brown)
- T6w - 6-pin connector, at left of bulkhead (grey)
- T11a - 11-pin connector, at left of bulkhead (white)
- T11c - 11-pin connector, at left of bulkhead (blue)
- T14a - Connector, 14-pin, in left of engine compartment (connection of the engine pre-assembly wiring loom/ engine compartment wiring loom)
- T40a - 40-pin connector, at engine control unit
- T81a - 81-pin connector, at engine control unit

- (131) - Earth connection -2-, in engine compartment wiring harness
- (281) - Earth connection -1-, in engine pre-assembly wiring loom
- (D173) - Connection (87), in engine assembly wiring loom
- * - Applies only to models with optional equipment

Fuse holder

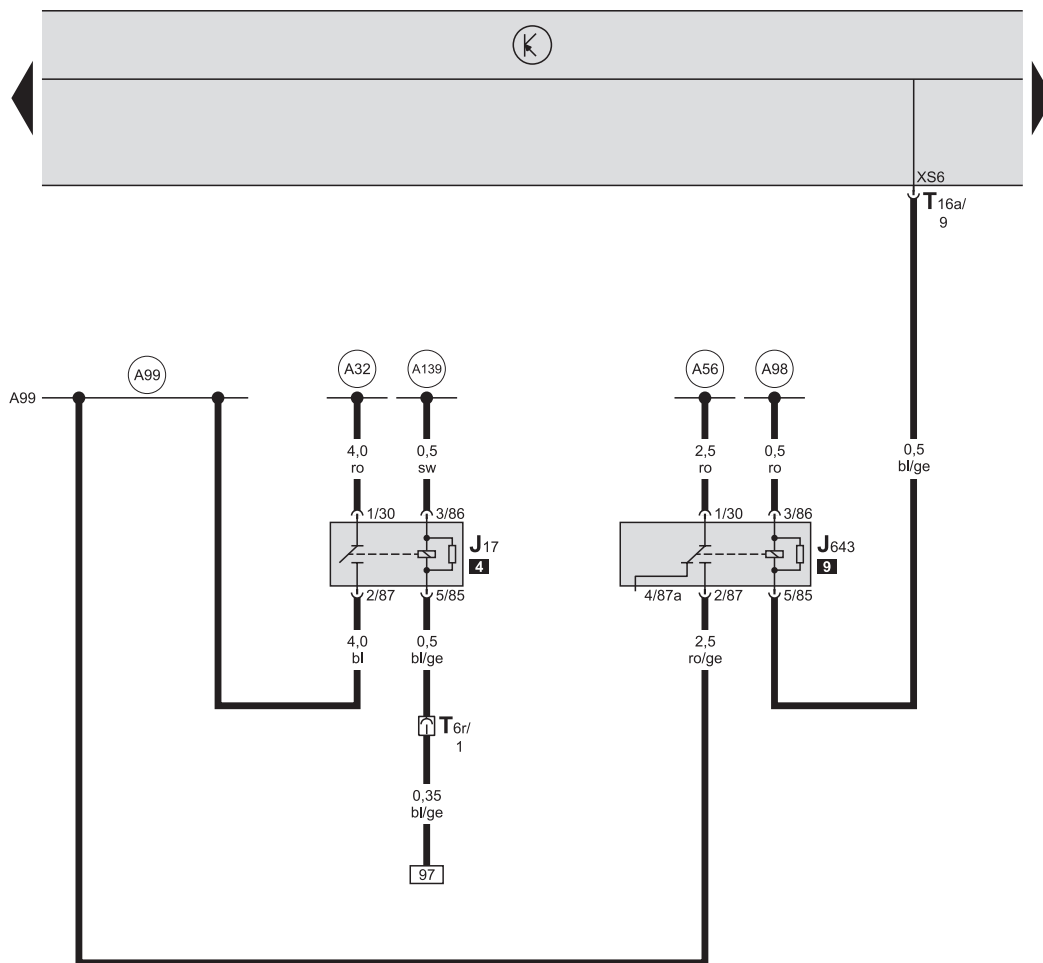


- ws = white
- sw = black
- ro = red
- br = brown
- gn = green
- bl = blue
- gr = grey
- li = purple
- ge = yellow
- or = orange

- T6n - 6-pin connector, at left of bulkhead (blue)
- T6r - 6-pin connector, at left of bulkhead (brown)
- T11b - 11-pin connector, at left of bulkhead (red)
- T14a - Connector, 14-pin, in left of engine compartment (connection of the engine pre-assembly wiring loom/ engine compartment wiring loom)

- (A2) - Positive connection (15), in wiring loom behind dash panel
- (A15) - Positive connection (15), in wiring loom behind dash panel
- (A98) - Positive connection (30a), in wiring loom behind dash panel (applies only to models with telephone system)
- (A99) - Connection (87), in wiring loom behind dash panel
- (A139) - Positive connection (15), in wiring loom behind dash panel
- (A177) - Connection (87), in wiring loom behind dash panel
- (D52) - Positive connection (15a), in engine compartment wiring loom

Fuel pump relay, fuel feed relay



- ws = white
- sw = black
- ro = red
- br = brown
- gn = green
- bl = blue
- gr = grey
- li = purple
- ge = yellow
- or = orange

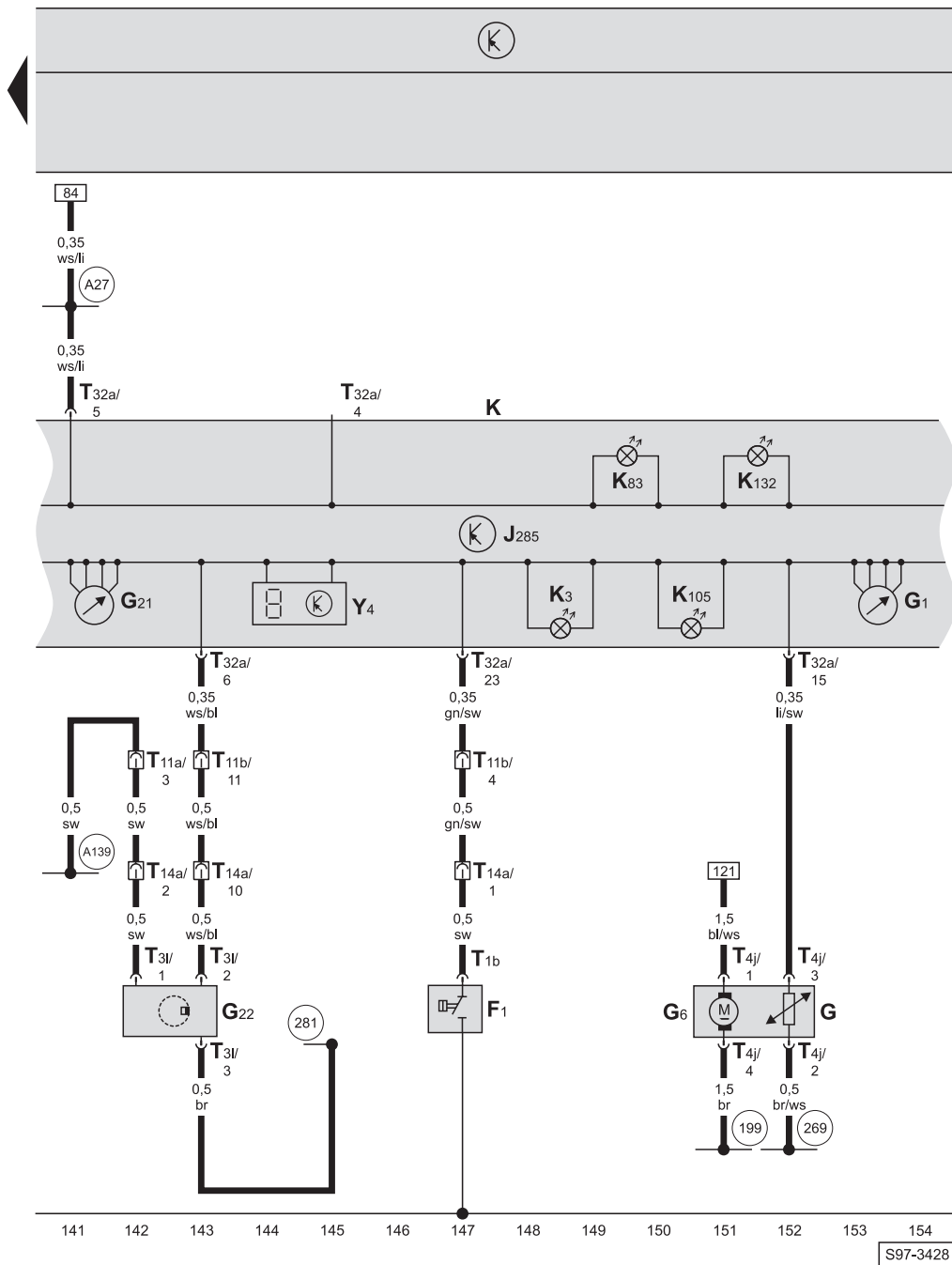
127 128 129 130 131 132 133 134 135 136 137 138 139 140

S97-2695

- J17 - Fuel pump relay
- J643 - Fuel feed relay
- T6r - 6-pin connector, at left of bulkhead (brown)
- T16a - 16-pin connector, at electrical system control unit (black)

- (A32) - Positive connection (30a), in wiring loom behind dash panel on left
- (A56) - Positive connection (30a), in wiring loom behind dash panel
- (A98) - Positive connection (30a), in wiring loom behind dash panel (applies only to models with telephone system)
- (A99) - Connection (87), in wiring loom behind dash panel
- (A139) - Positive connection (15), in wiring loom behind dash panel

Dash panel insert, control unit in dash panel insert, warning lights, oil pressure switch, fuel gauge sender, fuel pump, speedometer sender, fuel gauge, speedometer, odometer display



- ws = white
- sw = black
- ro = red
- br = brown
- gn = green
- bl = blue
- gr = grey
- li = purple
- ge = yellow
- or = orange

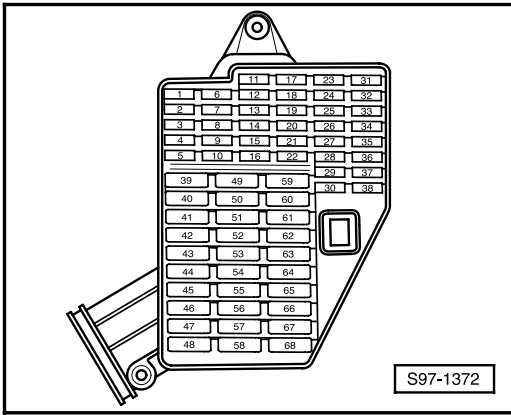
- F1 - Oil pressure switch
- G - Fuel gauge sender
- G1 - Fuel gauge
- G6 - Fuel pump
- G21 - Speedometer
- G22 - Speedometer sender
- J285 - Control unit in dash panel insert
- K - Dash panel insert
- K3 - Oil pressure warning lamp
- K83 - Exhaust gas warning lamp
- K105 - Reserve fuel warning lamp
- K132 - Electric throttle control fault lamp
- T1b - 1-pin connector, at oil pressure switch
- T3l - 3-pin connector, at speedometer sender
- T4j - 4-pin connector, at fuel pump
- T11a - 11-pin connector, at left of bulkhead (white)
- T11b - 11-pin connector, at left of bulkhead (red)
- T14a - Connector, 14-pin, in left of engine compartment (connection of the engine pre-assembly wiring loom/ engine compartment wiring loom)
- T32a - 32-pin connector, at dash panel insert
- Y4 - Odometer display

- 199 - Earth connection, in wiring harness behind dash panel
- 269 - Earth connection (sender earth) -1-, in wiring harness behind dash panel
- 281 - Earth connection -1-, in engine pre-assembly wiring loom
- A27 - Connection (vehicle speed signal), in wiring loom behind dash panel
- A139 - Positive connection (15), in wiring loom behind dash panel

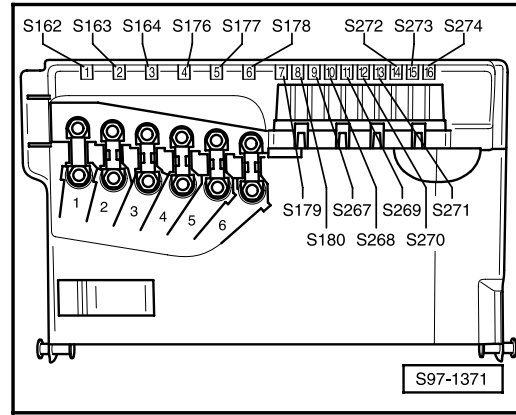
S97-3428

1.9 I/47 kW - SDI, engine code ASY, from August 2002

Fuse holder:



Fuse holder on battery:



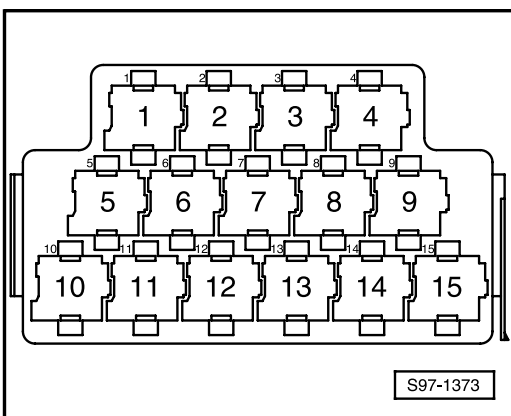
Fuse colours

- 30A - green
- 25A - white
- 20A - yellow
- 15A - blue
- 10A - red
- 7.5A - brown
- 5A - beige

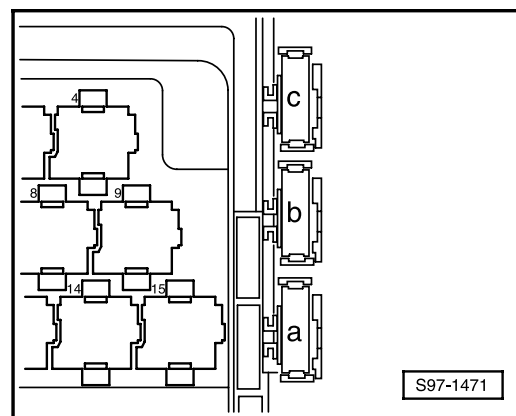
Fuse colours

- 30A - green
- 25A - white
- 20A - yellow
- 15A - blue
- 10A - red
- 7.5A - brown
- 5A - beige

Relay holder:



Additional fuse holder:



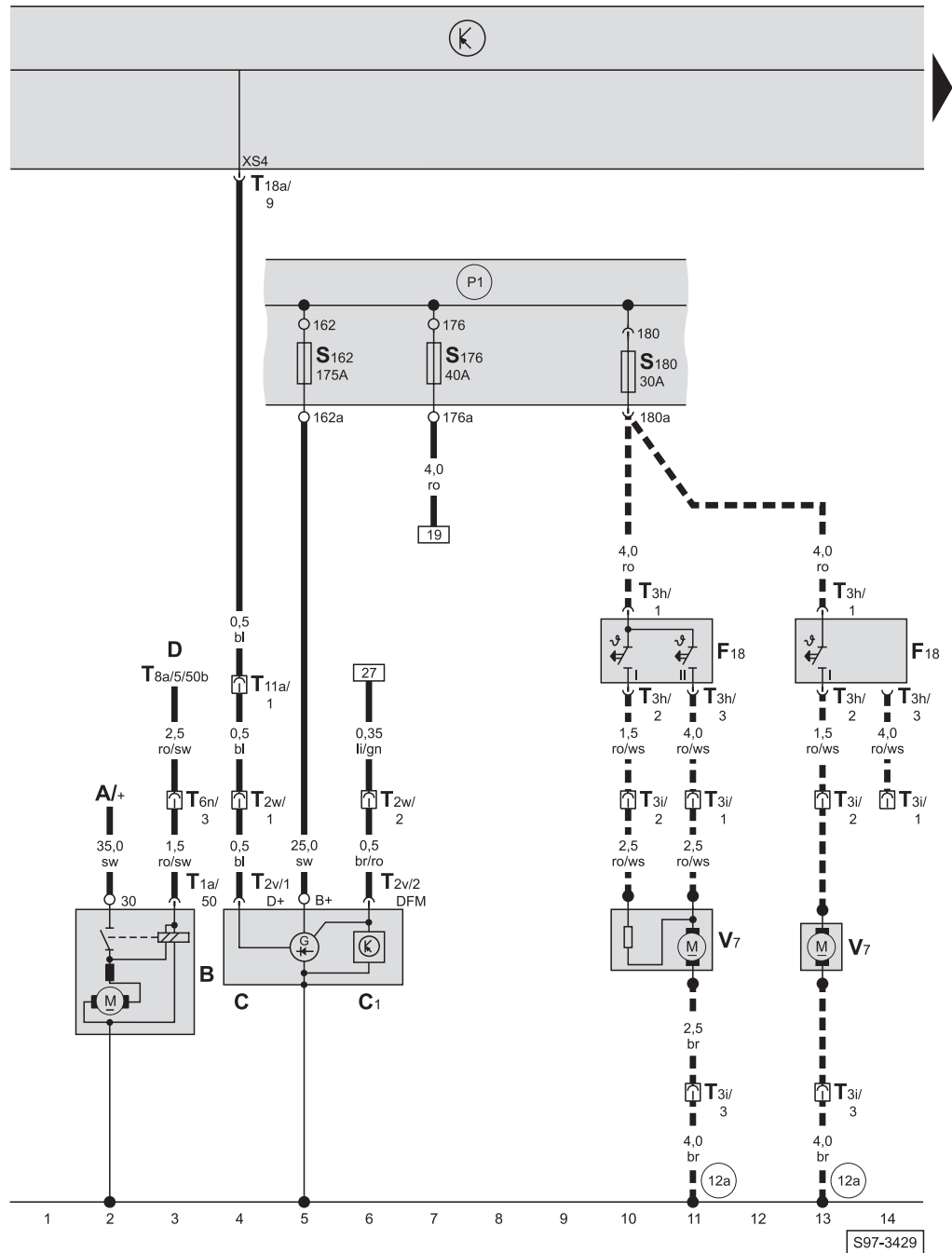
Relay position assignment:

- 3** - Glow plug relay
- 8** - Low heating capacity relay
- 9** - High heating capacity relay
- 15** - Diesel direct injection system relay

Fuse position assignment:

- a** - S276 - Fuse -1- for heating element
- b** - S277 - Fuse -2- for heating element
- c** - S278 - Fuse -3- for heating element

Starter, alternator, radiator fan, fuse holder on battery

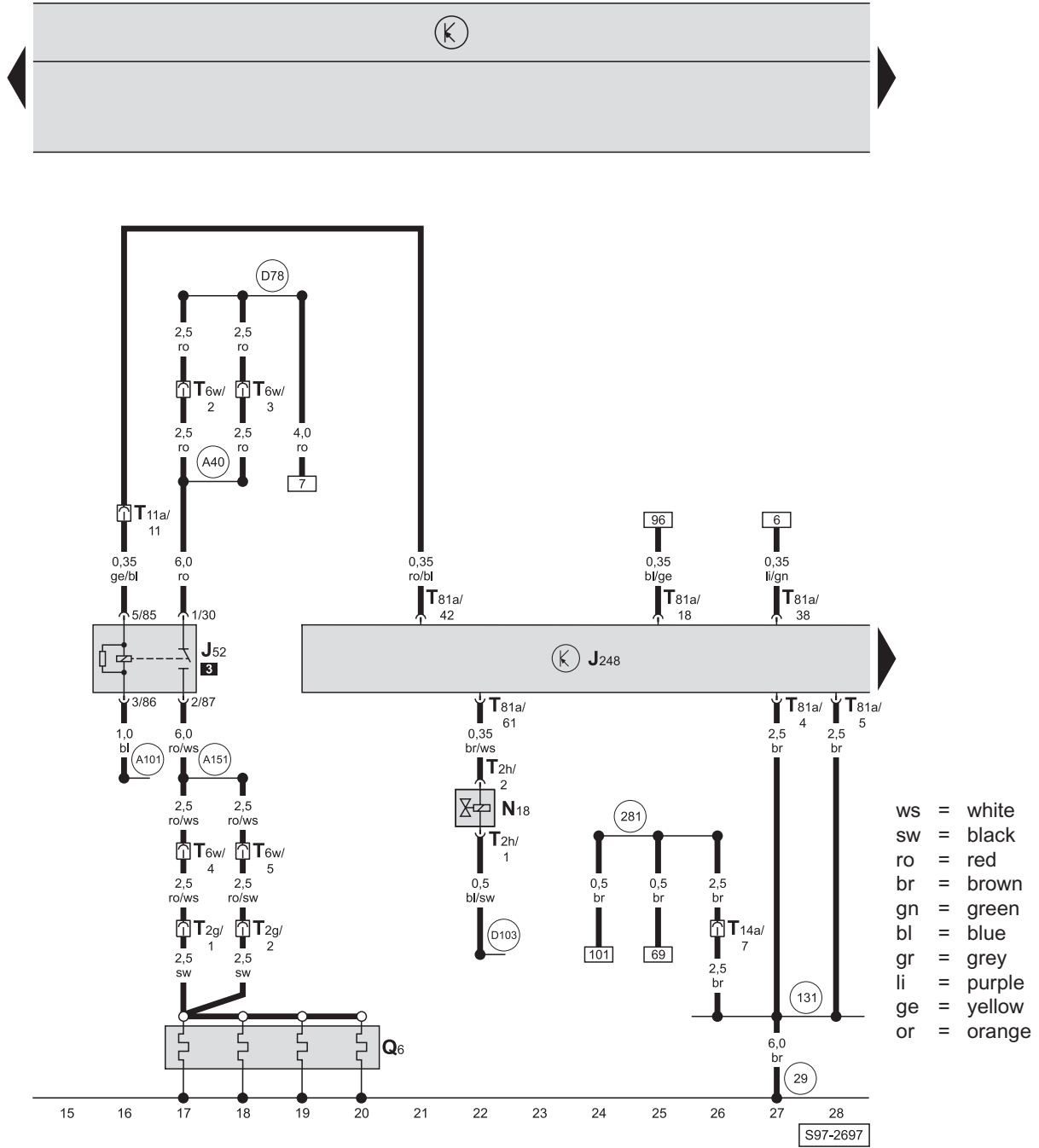


- A - Battery
- B - Starter
- C - Alternator
- C1 - Voltage regulator
- D - Ignition/starter switch
- F18 - Radiator fan thermoswitch
- S162 - Fuse -1- (30), in fuse holder on battery
- S176 - Fuse -4- (30), in fuse holder on battery
- S180 - Fuse -8- (30), in fuse holder on battery
- T1a - 1-pin connector, at starter
- T2v - 2-pin connector, at alternator
- T2w - 2-pin connector, in bracket at gearbox
- T3h - 3-pin connector, at radiator fan thermoswitch
- T3i - 3-pin connector, in bracket on left of radiator
- T6n - 6-pin connector, at left of bulkhead (blue)
- T8a - 8-pin connector, at ignition/starter switch
- T11a - 11-pin connector, at left of bulkhead (white)
- T18a - 18-pin connector, at electrical system control unit (brown)
- V7 - Radiator fan

- 12a - Earth point -2-, in engine compartment, on left below battery (at side member)
- P1 - Positive connection (30), in fuse holder on battery
- - Thermoswitch and radiator fan vary according to optional equipment (does not apply to models with air conditioning)

S97-3429

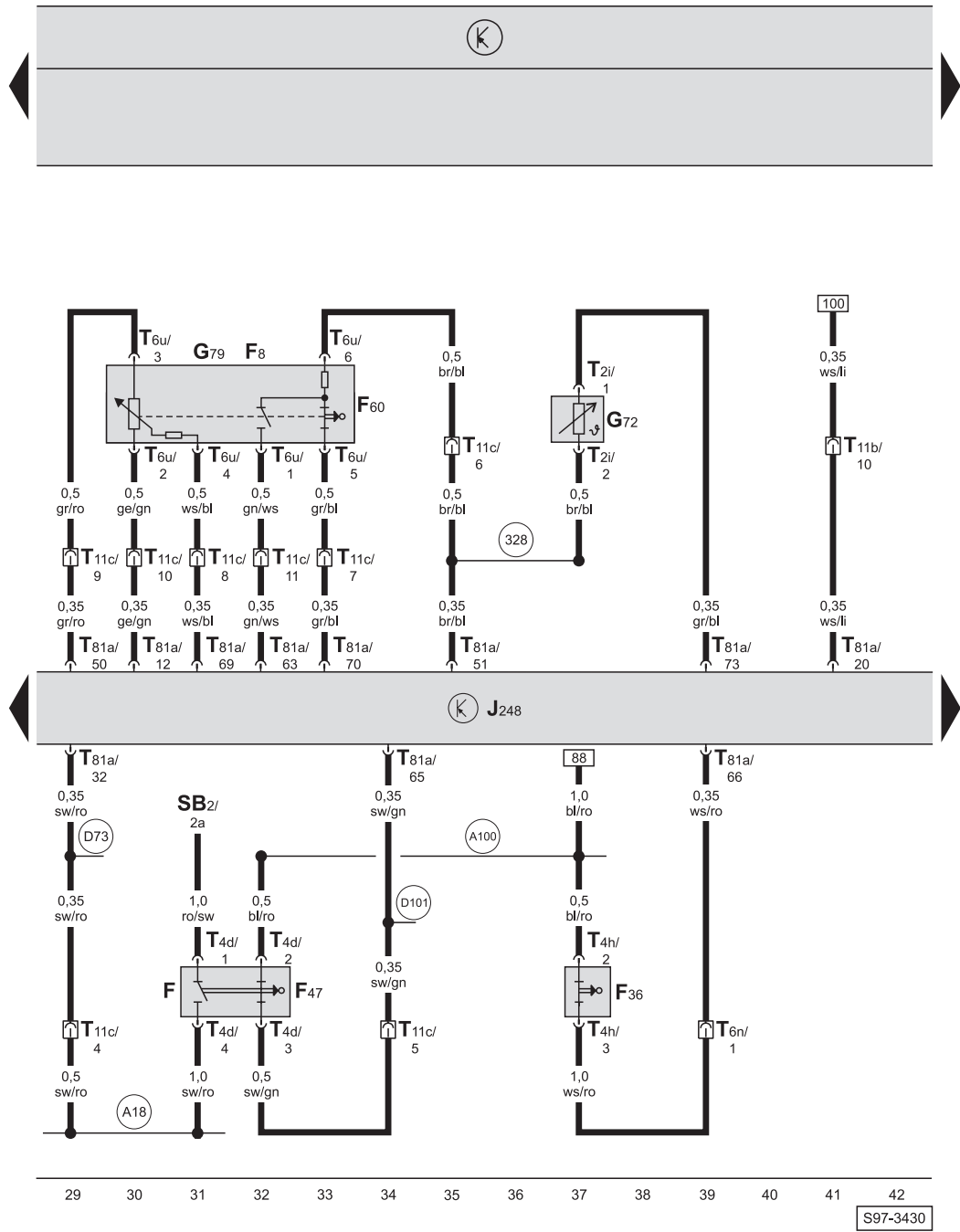
Diesel direct injection system control unit, glow plug relay, glow plugs, EGR valve



- J52 - Glow plug relay
- J248 - Diesel direct injection system control unit
- N18 - EGR valve
- Q6 - Glow plugs
- T2g - 2-pin connector, in left of engine compartment (connection of engine assembly wiring loom/engine compartment wiring loom)
- T2h - 2-pin connector, at exhaust gas recirculation valve
- T6w - 6-pin connector, at left of bulkhead (grey)
- T11a - 11-pin connector, at left of bulkhead (white)
- T14a - Connector, 14-pin, in left of engine compartment (connection of the engine pre-assembly wiring loom/engine compartment wiring loom)
- T81a - 81-pin connector, at engine control unit

- (29) - Earth point, in left of engine compartment, behind battery (at suspension strut mounting)
- (131) - Earth connection -2-, in engine compartment wiring harness
- (281) - Earth connection -1-, in engine pre-assembly wiring loom
- (A40) - Positive connection (30a), in wiring loom behind dash panel
- (A101) - Connection (87), in wiring loom behind dash panel
- (A151) - Connection (87), in wiring loom behind dash panel
- (D78) - Positive connection -1- (30a), in engine compartment wiring loom
- (D103) - Connection -3- (87a), in engine compartment wiring loom

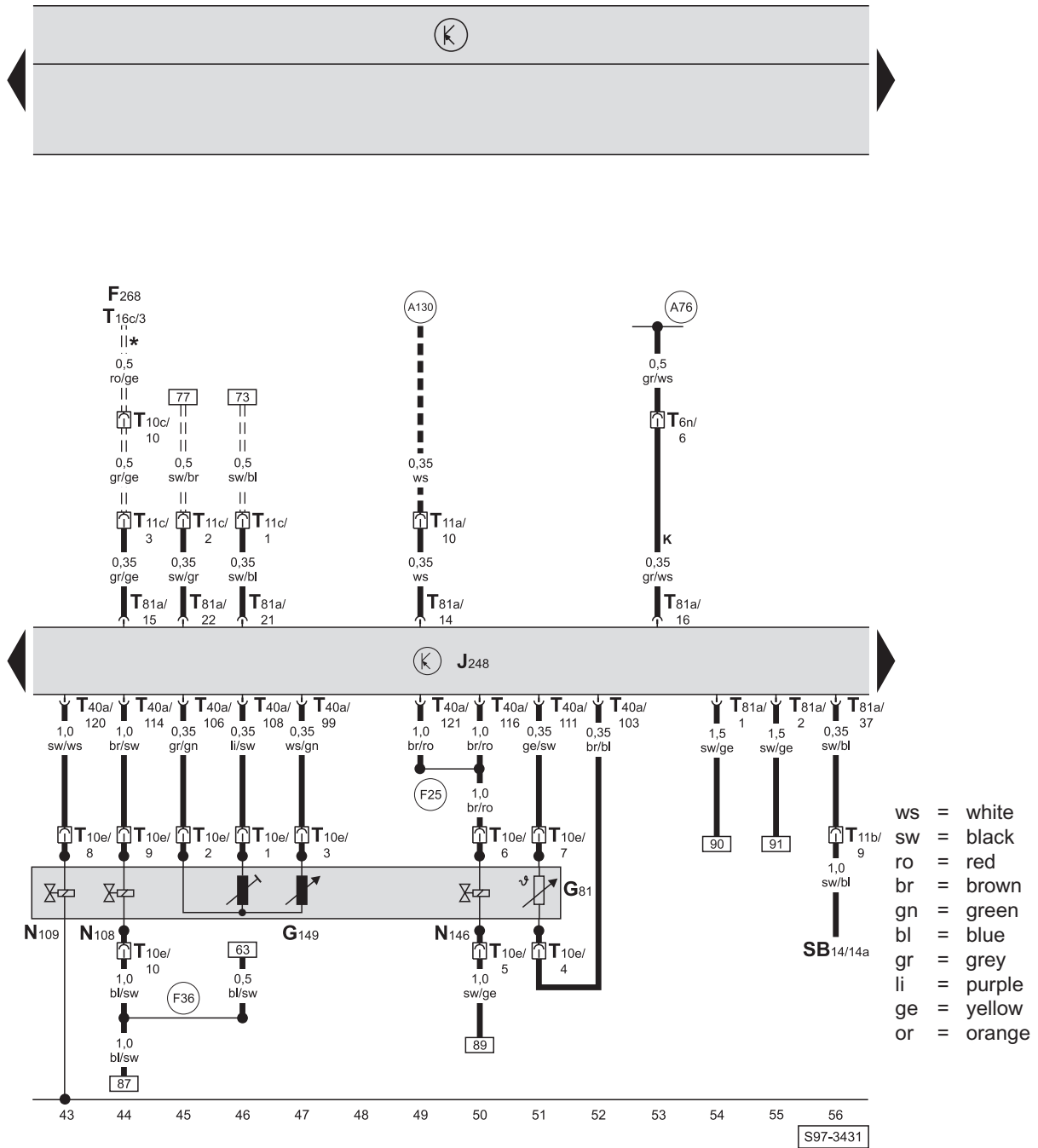
Diesel direct injection system control unit, accelerator pedal position sender, intake manifold temperature sender, brake pedal switch, clutch pedal switch



- ws = white
- sw = black
- ro = red
- br = brown
- gn = green
- bl = blue
- gr = grey
- li = purple
- ge = yellow
- or = orange

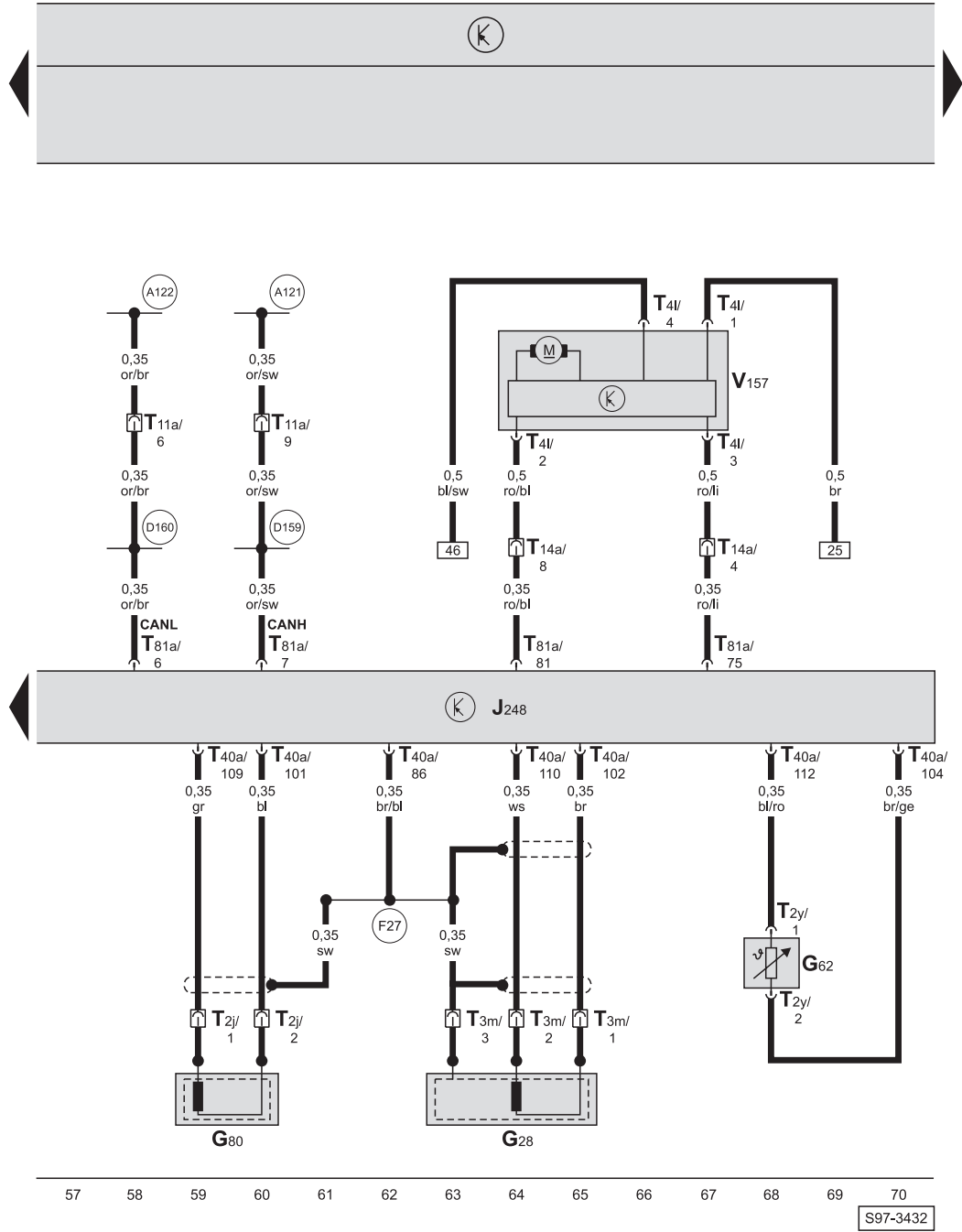
- F - Brake light switch
- F8 - Kickdown switch
- F36 - Clutch pedal switch
- F47 - Brake pedal switch
- F60 - Idling speed switch
- G72 - Intake manifold temperature sender
- G79 - Accelerator position sender
- J248 - Diesel direct injection system control unit
- SB2 - Fuse, in fuse holder
- T2i - 2-pin connector, at fuel gauge sender
- T4d - 4-pin connector, at brake pedal switch
- T4h - 4-pin connector, at clutch pedal switch
- T6n - 6-pin connector, at left of bulkhead (blue)
- T6u - 6-pin connector, at accelerator pedal position sender
- T11b - 11-pin connector, at left of bulkhead (red)
- T11c - 11-pin connector, at left of bulkhead (blue)
- T81a - 81-pin connector, at engine control unit
- 328 - Earth connection -2- (sender earth), in engine compartment wiring harness
- A18 - Connection (54), in wiring loom behind dash panel
- A100 - Connection (87a), in wiring loom behind dash panel
- D73 - Connection (54), in left of engine compartment wiring loom
- D101 - Connection (brake pedal switch), in engine compartment wiring loom

Diesel direct injection system control unit, fuel temperature sender, modulating piston movement sender, quantity adjuster



- F268 - Heater element contact switch (PTC)
- G81 - Fuel temperature sender
- G149 - Modulating piston movement sender
- J248 - Diesel direct injection system control unit
- N108 - Commencement of injection valve
- N109 - Fuel cut off valve
- N146 - Quantity (metering) adjuster
- SB14 - Fuse, in fuse holder
- T6n - 6-pin connector, at left of bulkhead (blue)
- T10c - 10-pin connector, behind dash panel on right
- T10e - 10-pin connector, at injection pump
- T11a - 11-pin connector, at left of bulkhead (white)
- T11b - 11-pin connector, at left of bulkhead (red)
- T11c - 11-pin connector, at left of bulkhead (blue)
- T16c - 16-pin connector, at fresh air controls
- T40a - 40-pin connector, at engine control unit
- T81a - 81-pin connector, at engine control unit
- (A76) - Connection (K diagnosis wire), in wiring loom behind dash panel on left
- (A130) - Connection (CCS), in wiring loom behind dash panel on left
- (F25) - Connection -1-, in engine preassembly wiring loom
- (F36) - Connection (87a), in engine preassembly wiring loom
- * - does not apply to models with air conditioning
- - Applies only to models with CCS
- === - Applies only to models with heating element (PTC)

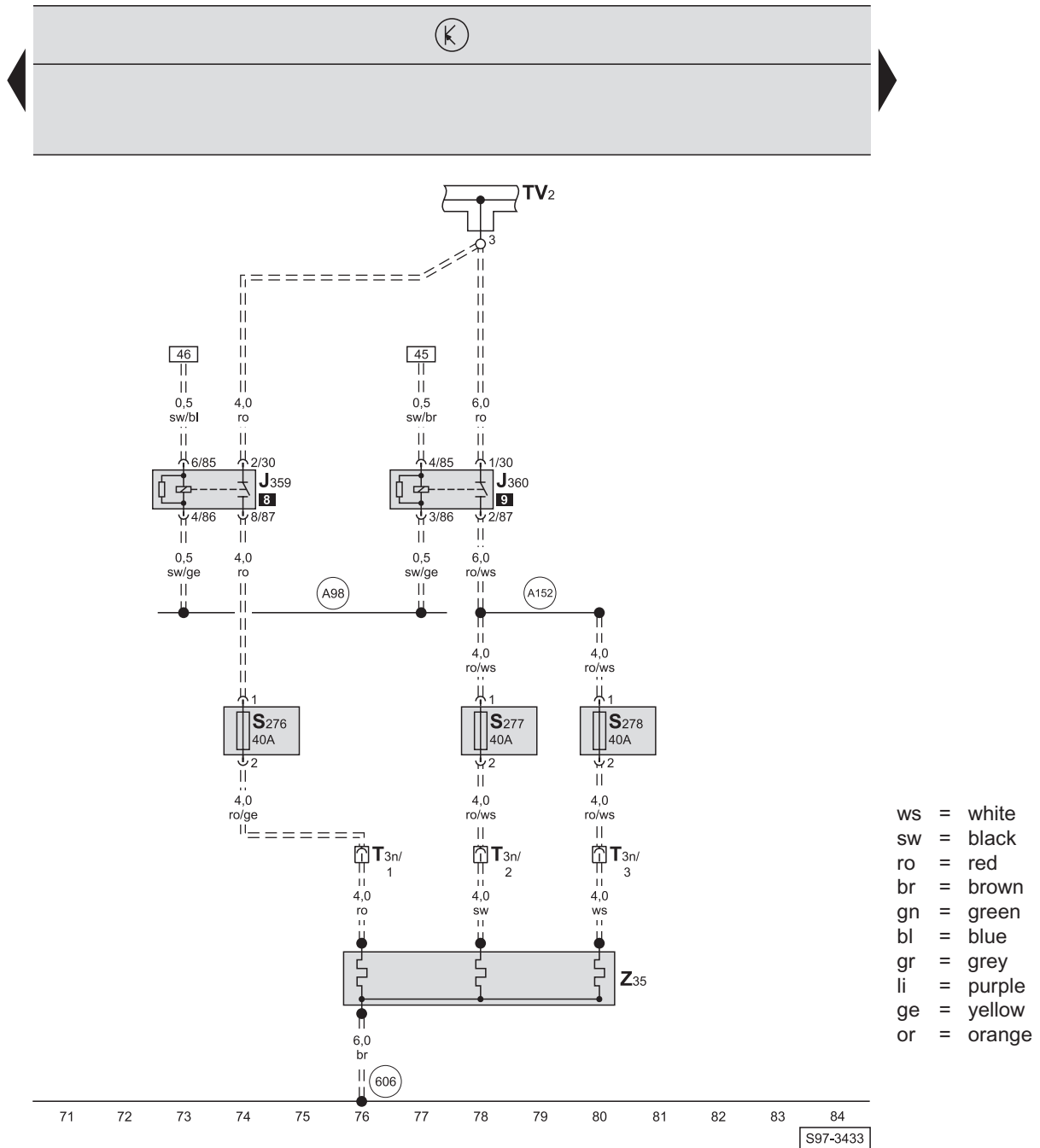
Diesel direct injection system control unit, Engine speed sender, Coolant temperature sender, Needle lift sender, Intake manifold flap motor



- G28 - Engine speed sender
- G62 - Coolant temperature sender
- G80 - Needle lift sender
- J248 - Diesel direct injection system control unit
- T2j - 2-pin connector, at needle lift sender
- T2y - 2-pin connector, at coolant temperature sender
- T3m - 3-pin connector, at engine speed sender
- T4l - 4-pin connector, at intake manifold flap motor
- T11a - 11-pin connector, at left of bulkhead (white)
- T14a - Connector, 14-pin, in left of engine compartment (connection of the engine pre-assembly wiring loom/ engine compartment wiring loom)
- T40a - 40-pin connector, at engine control unit
- T81a - 81-pin connector, at engine control unit
- V157 - Intake manifold flap motor

- (A121) - Connection (CAN-H), in wiring loom behind dash panel on
- (A122) - Connection (CAN-L), in wiring loom behind dash panel
- (D159) - Connection (CAN-H), in engine compartment wiring loom
- (D160) - Connection (CAN-L), in engine compartment wiring loom
- (F27) - Connection (screening), in engine pre-wiring wiring harness

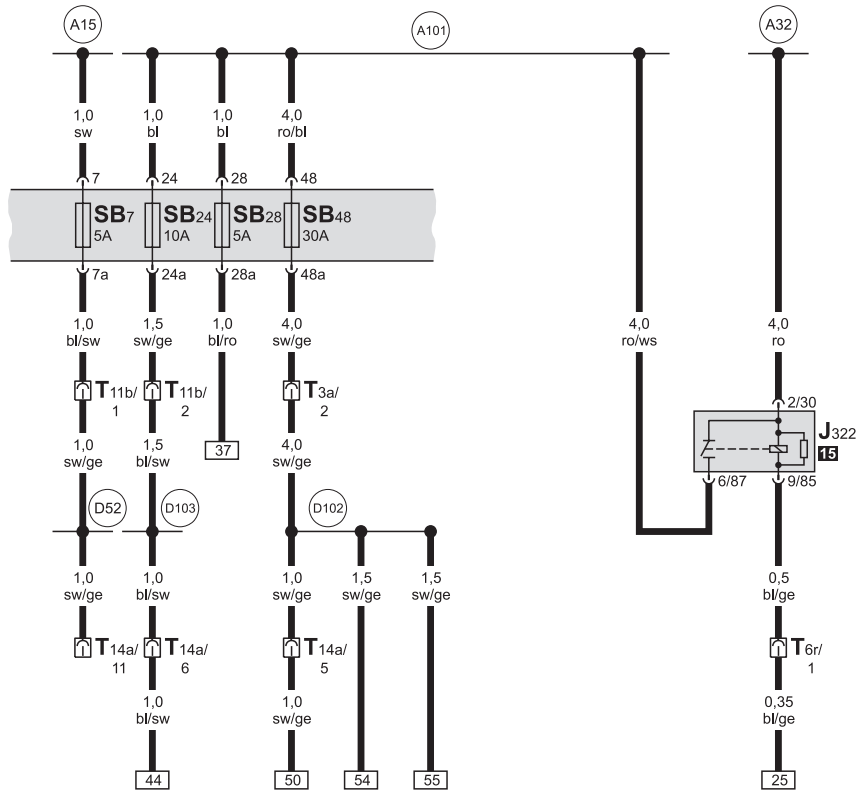
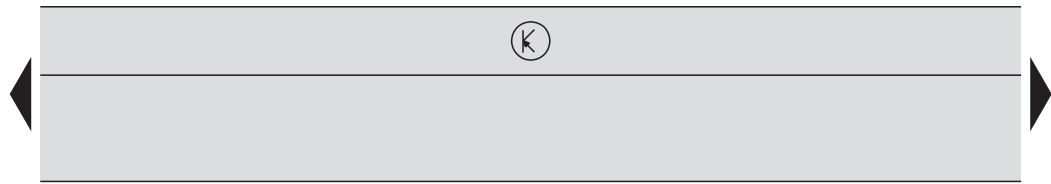
Low heating capacity relay, high heating capacity relay, heating element for additional heater (PTC), additional fuse holder



- J359 - Low heating capacity relay
- J360 - High heating capacity relay
- S276 - Fuse -1- for heater element
- S277 - Fuse -2- for heater element
- S278 - Fuse -3- for heater element
- T3n - 3-pin connector, behind dash panel (at PTC heating element)
- TV2 - Terminal 30 junction, behind dash panel on left
- Z35 - Additional heating heater element (PTC)

- 606 - Earth point, under the centre console, near gear stick
- A98 - Positive connection (30a), in wiring loom behind dash panel (applies only to models with telephone system)
- A152 - Connection (87), in wiring harness behind dash panel
- === - Applies only to models with heating element (PTC)

Diesel direct injection system relay, fuse holder



- ws = white
- sw = black
- ro = red
- br = brown
- gn = green
- bl = blue
- gr = grey
- li = purple
- ge = yellow
- or = orange

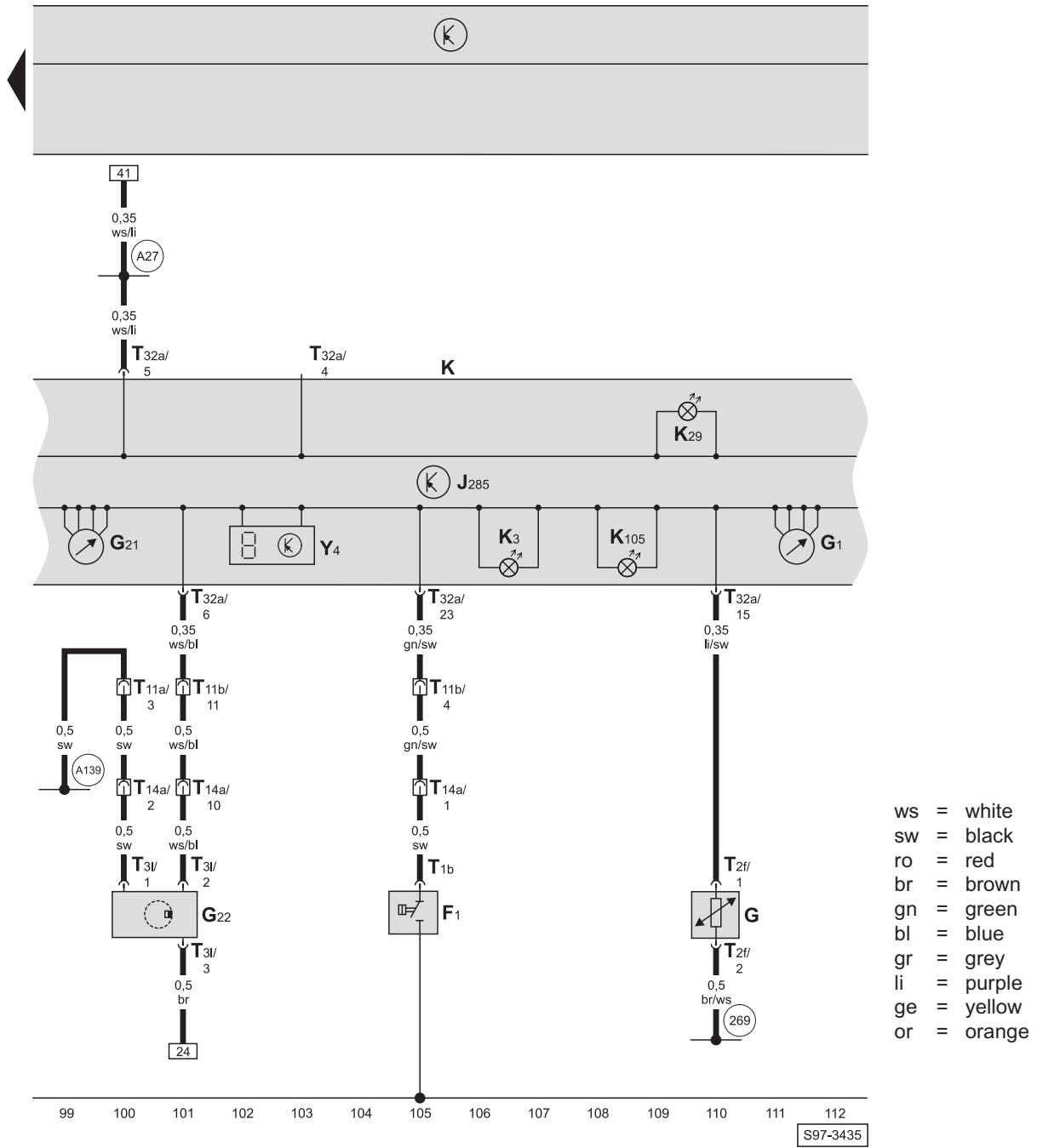
85 86 87 88 89 90 91 92 93 94 95 96 97 98

S97-3434

- J322 - Diesel direct injection system relay
- T3a - 3-pin connector, at left of bulkhead (grey)
- T6r - 6-pin connector, at left of bulkhead (brown)
- T11b - 11-pin connector, at left of bulkhead (red)
- T14a - Connector, 14-pin, in left of engine compartment (connection of the engine pre-assembly wiring loom/ engine compartment wiring loom)

- (A15) - Positive connection (15), in wiring loom behind dash panel
- (A32) - Positive connection (30a), in wiring loom behind dash panel on left
- (A101) - Connection (87), in wiring loom behind dash panel
- (D52) - Positive connection (15a), in engine compartment wiring loom
- (D102) - Connection -2- (87a), in wiring loom in left of engine compartment
- (D103) - Connection -3- (87a), in engine compartment wiring loom

Dash panel insert, control unit in dash panel insert, warning lights, oil pressure switch, fuel gauge sender, fuel pump, speedometer sender, fuel gauge, speedometer, odometer display

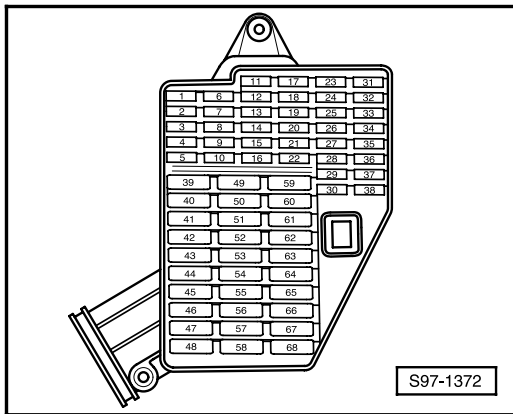


- F1 - Oil pressure switch
- G - Fuel gauge sender
- G1 - Fuel gauge
- G21 - Speedometer
- G22 - Speedometer sender
- J285 - Control unit in dash panel insert
- K - Dash panel insert
- K3 - Oil pressure warning lamp
- K29 - Glow period warning lamp
- K105 - Reserve fuel warning lamp
- T1b - 1-pin connector, at oil pressure switch
- T2f - 2-pin connector, at fuel gauge sender
- T3l - 3-pin connector, at speedometer sender
- T11a - 11-pin connector, at left of bulkhead (white)
- T11b - 11-pin connector, at left of bulkhead (red)
- T14a - Connector, 14-pin, in left of engine compartment (connection of the engine pre-assembly wiring loom/ engine compartment wiring loom)
- T32a - 32-pin connector, at dash panel insert
- Y4 - Odometer display

- (269) - Earth connection (sender earth) -1-, in wiring harness behind dash panel
- (A27) - Connection (vehicle speed signal), in wiring loom behind dash panel
- (A139) - Positive connection (15), in wiring loom behind dash panel

1.9 I - TDI with unit injection system/74 kW, engine code ATD, from August 2002

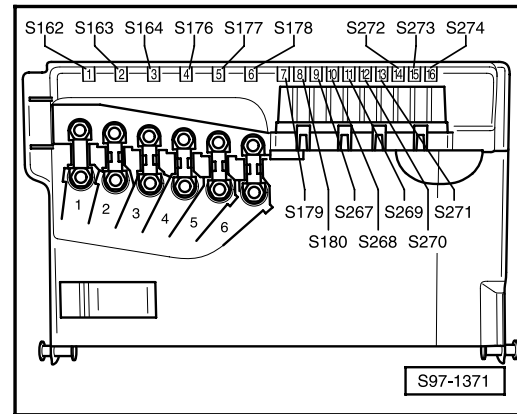
Fuse holder:



Fuse colours

- 30A - green
- 25A - white
- 20A - yellow
- 15A - blue
- 10A - red
- 7.5A - brown
- 5A - beige

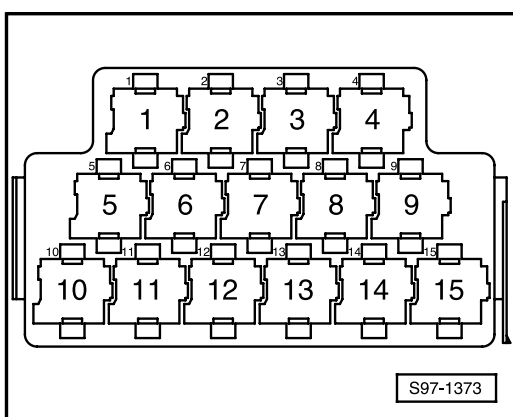
Fuse holder on battery:



Fuse colours

- 30A - green
- 25A - white
- 20A - yellow
- 15A - blue
- 10A - red
- 7.5A - brown
- 5A - beige

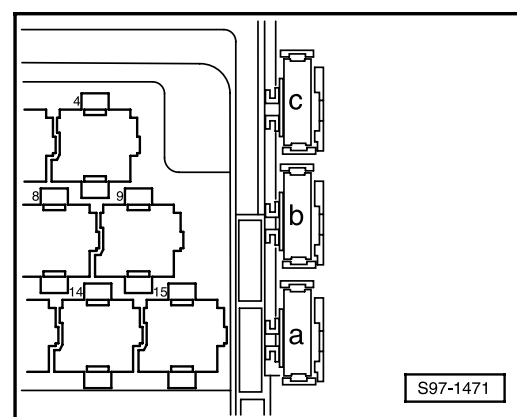
Relay holder:



Relay position assignment:

- 3** - Glow plug relay
- 4** - Fuel pump relay
- 8** - Low heating capacity relay
- 9** - High heating capacity relay
- 15** - Diesel direct injection system relay

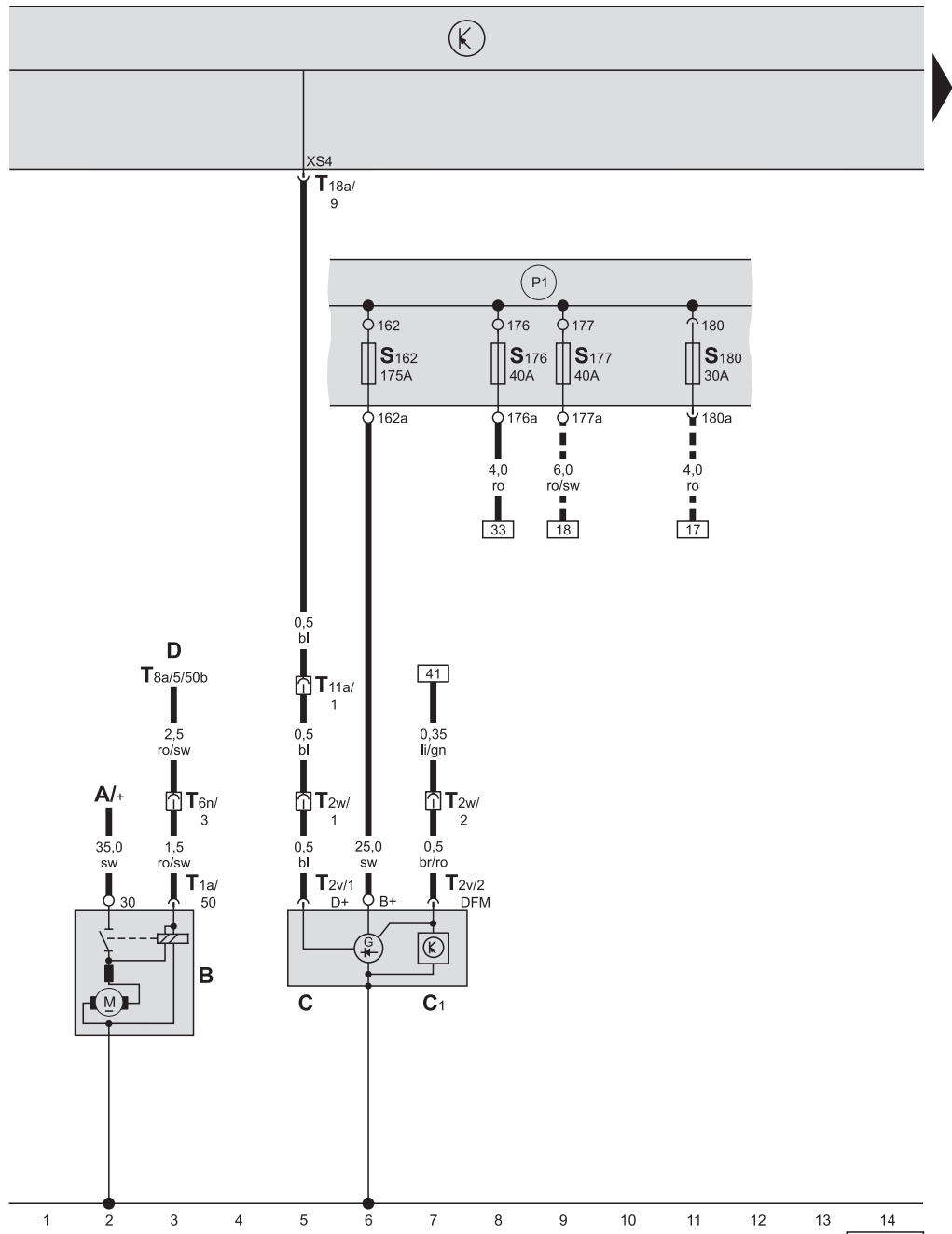
Additional fuse holder:



Fuse position assignment:

- a** - S276 - Fuse -1- for heating element
- b** - S277 - Fuse -2- for heating element
- c** - S278 - Fuse -3- for heating element

Starter, alternator, fuse holder on battery

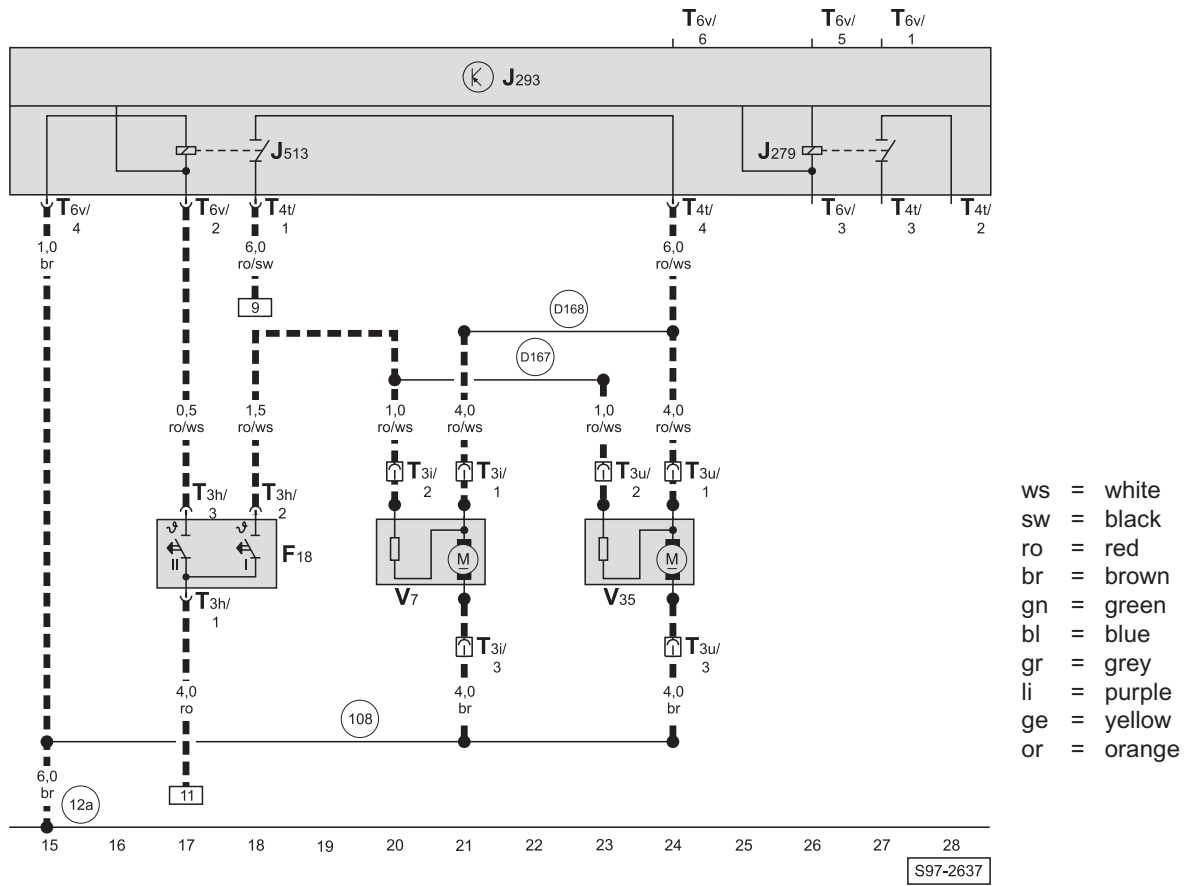
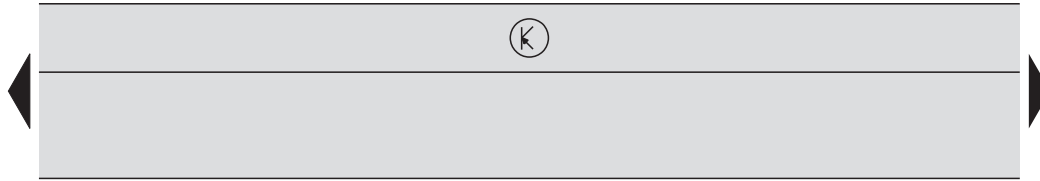


- ws = white
- sw = black
- ro = red
- br = brown
- gn = green
- bl = blue
- gr = grey
- li = purple
- ge = yellow
- or = orange

- A - Battery
- B - Starter
- C - Alternator
- C1 - Voltage regulator
- D - Ignition/starter switch
- S162 - Fuse -1- (30), in fuse holder on battery
- S176 - Fuse -4- (30), in fuse holder on battery
- S177 - Fuse -5- (30), in fuse holder on battery
- S180 - Fuse -8- (30), in fuse holder on battery
- T1a - 1-pin connector, at starter
- T2v - 2-pin connector, at alternator
- T2w - 2-pin connector, in bracket at gearbox
- T6n - 6-pin connector, at left of bulkhead (blue)
- T8a - 8-pin connector, at ignition/starter switch
- T11a - 11-pin connector, at left of bulkhead (white)
- T18a - 18-pin connector, at electrical system control unit (brown)

- (P1)** - Positive connection (30), in fuse holder on battery
- - Does not apply to models with air conditioning

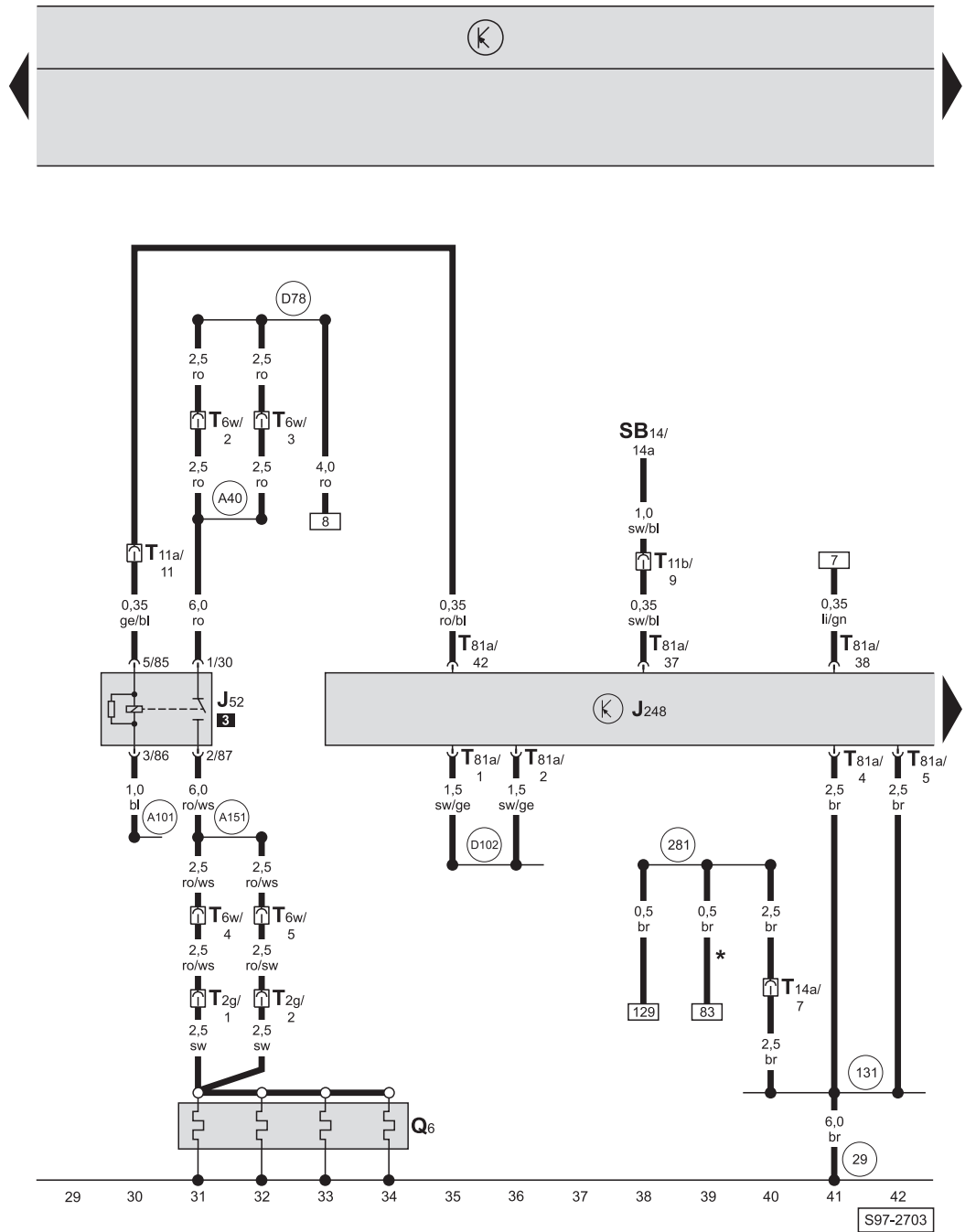
Radiator fan control unit, radiator fan thermostats, radiator fan



- F18 - Radiator fan thermostat
- J279 - Radiator fan relay, stage 1
- J293 - Radiator fan control unit
- J513 - Radiator fan relay, stage 2
- T3h - 3-pin connector, at radiator fan thermostat
- T3i - 3-pin connector, in bracket on left of radiator
- T3u - 3-pin connector, in bracket on left of radiator
- T4t - 4-pin connector, at radiator fan control unit
- T6v - 6-pin connector, at radiator fan control unit
- V7 - Radiator fan
- V35 - Radiator fan, right

- 12a - Earth point -2-, in engine compartment, on left below battery (at side member)
- 108 - Earth connection, in front left wiring harness
- D167 - Connection (fan stage 1), in engine compartment wiring loom
- D168 - Connection (fan stage 2), in engine compartment wiring loom
- - Does not apply to models with air conditioning

Diesel direct injection system control unit, glow plug relay, glow plugs



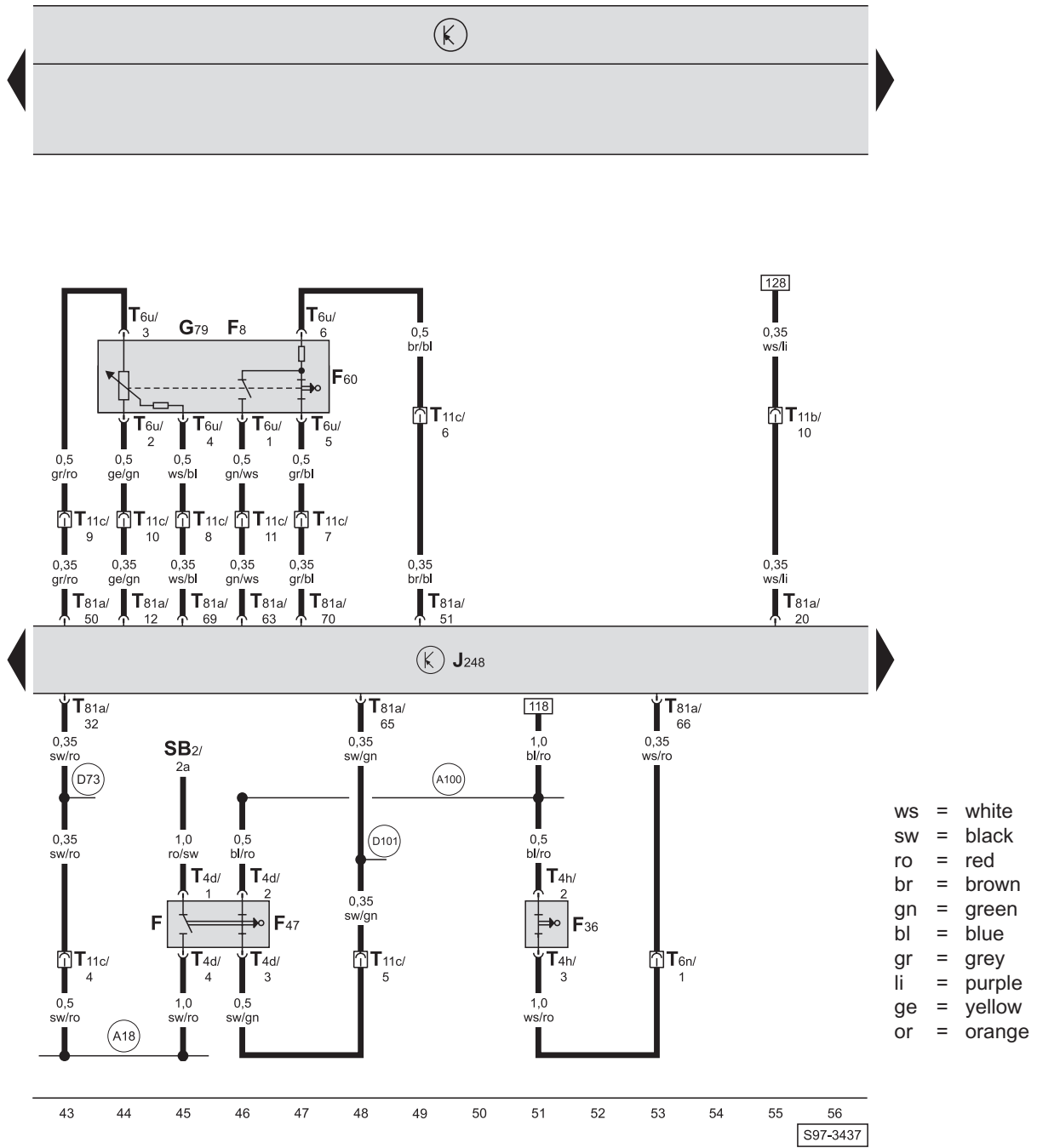
- ws = white
- sw = black
- ro = red
- br = brown
- gn = green
- bl = blue
- gr = grey
- li = purple
- ge = yellow
- or = orange

- J52 - Glow plug relay
- J248 - Diesel direct injection system control unit
- Q6 - Glow plugs
- SB14 - Fuse, in fuse holder
- T2g - 2-pin connector, in left of engine compartment (connection of engine assembly wiring loom/engine compartment wiring loom)
- T6w - 6-pin connector, at left of bulkhead (grey)
- T11a - 11-pin connector, at left of bulkhead (white)
- T11b - 11-pin connector, at left of bulkhead (red)
- T14a - Connector, 14-pin, in left of engine compartment (connection of the engine pre-assembly wiring loom/engine compartment wiring loom)
- T81a - 81-pin connector, at engine control unit

- 29 - Earth point, in left of engine compartment, behind battery (at suspension strut mounting)
- 131 - Earth connection -2-, in engine compartment wiring harness
- 281 - Earth connection -1-, in engine pre-assembly wiring loom
- A40 - Positive connection (30a), in wiring loom behind dash panel
- A101 - Connection (87), in wiring loom behind dash panel
- A151 - Connection (87), in wiring loom behind dash panel
- D78 - Positive connection -1- (30a), in engine compartment wiring loom
- D102 - Connection -2- (87a), in wiring loom in left of engine compartment

* - Applies only to models with optional equipment

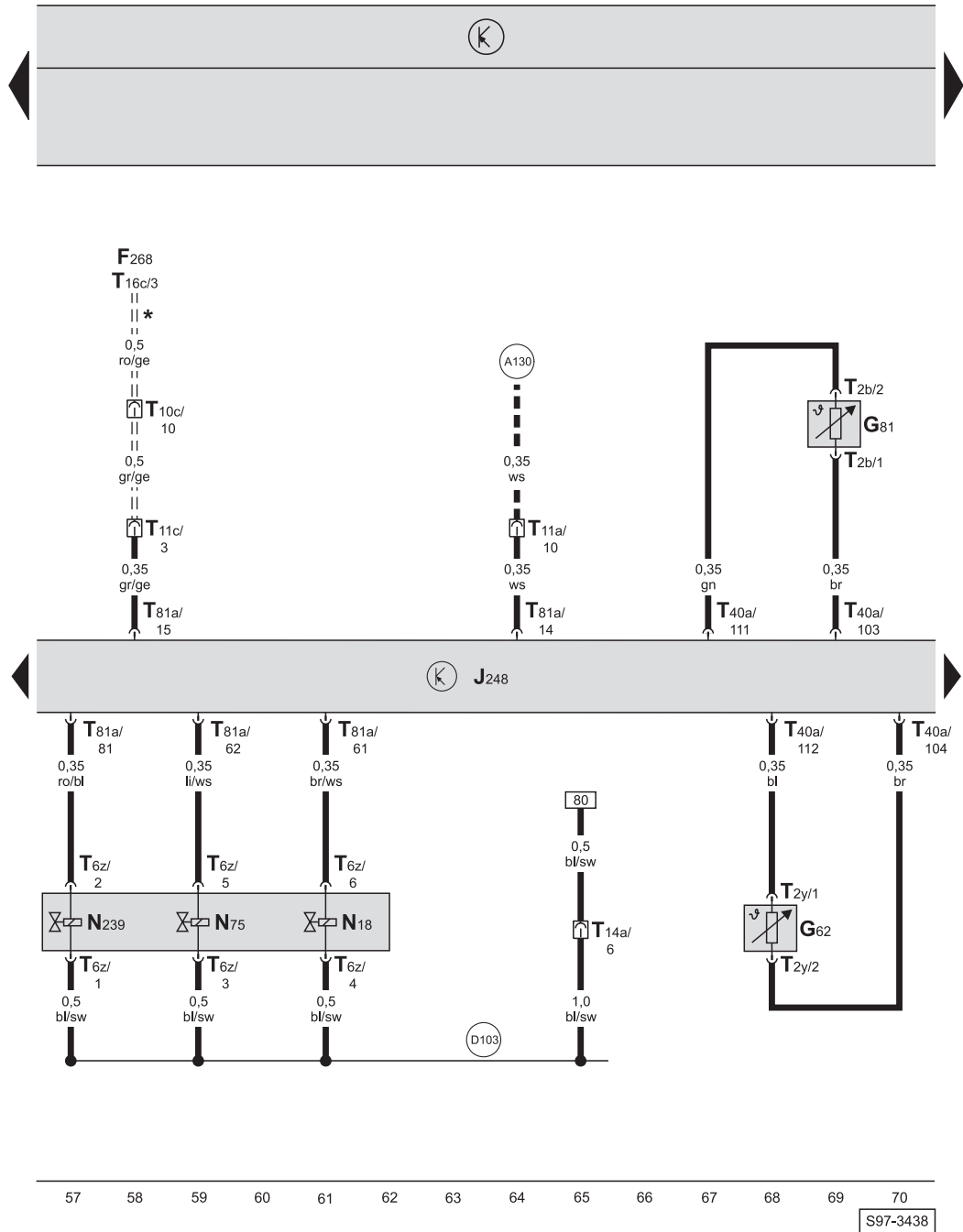
Diesel direct injection system control unit, accelerator pedal position sender, brake pedal switch, clutch pedal switch



- F - Brake light switch
- F8 - Kickdown switch
- F36 - Clutch pedal switch
- F47 - Brake pedal switch
- F60 - Idling speed switch
- G79 - Accelerator position sender
- J248 - Diesel direct injection system control unit
- SB2 - Fuse, in fuse holder
- T4d - 4-pin connector, at brake pedal switch
- T4h - 4-pin connector, at clutch pedal switch
- T6n - 6-pin connector, at left of bulkhead (blue)
- T6u - 6-pin connector, at accelerator pedal position sender
- T11b - 11-pin connector, at left of bulkhead (red)
- T11c - 11-pin connector, at left of bulkhead (blue)
- T81a - 81-pin connector, at engine control unit

- (A18) - Connection (54), in wiring loom behind dash panel
- (A100) - Connection (87a), in wiring loom behind dash panel
- (D73) - Connection (54), in left of engine compartment wiring loom
- (D101) - Connection (brake pedal switch), in engine compartment wiring loom

Diesel direct injection system control unit, coolant temperature sender, fuel temperature sender, exhaust gas recirculation valve, charge pressure control solenoid valve, intake manifold flap changeover valve



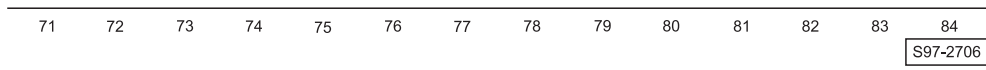
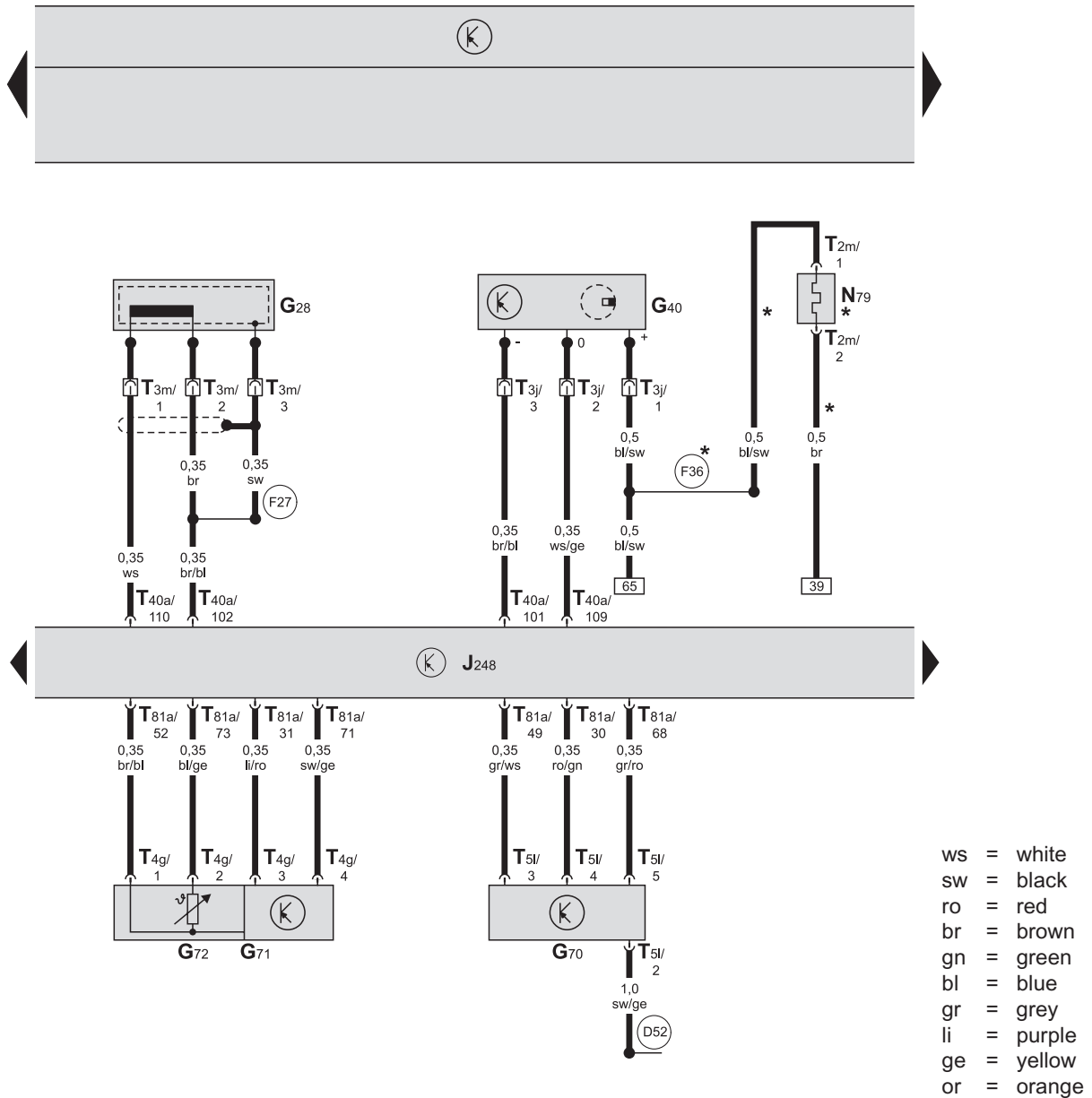
- ws = white
- sw = black
- ro = red
- br = brown
- gn = green
- bl = blue
- gr = grey
- li = purple
- ge = yellow
- or = orange

- F268 - Heater element contact switch (PTC)
- G62 - Coolant temperature sender
- G81 - Fuel temperature sender
- J248 - Diesel direct injection system control unit
- N18 - EGR valve
- N75 - Boost pressure control solenoid valve
- N239 - Intake manifold flap changeover valve
- T2b - Plug connection, 2-pin, at fuel temperature sender
- T2y - 2-pin connector, at coolant temperature sender
- T6z - Connector, 6-pin, at valve block
- T10c - 10-pin connector, behind dash panel on right
- T11a - 11-pin connector, at left of bulkhead (white)
- T11c - 11-pin connector, at left of bulkhead (blue)
- T14a - Connector, 14-pin, in left of engine compartment (connection of the engine pre-assembly wiring loom/ engine compartment wiring loom)
- T16c - 16-pin connector, at fresh air controls
- T40a - 40-pin connector, at engine control unit

- T81a - 81-pin connector, at engine control unit
- A130 - Connection (CCS), in wiring loom behind dash panel on left
- D103 - Connection -3- (87a), in engine compartment wiring loom
- * - does not apply to models with air conditioning
- - Applies only to models with CCS
- === - Applies only to models with heating element (PTC)

S97-3438

Diesel direct injection system control unit, engine speed sender, camshaft position sender, air mass meter, intake manifold pressure and intake manifold temperature sender

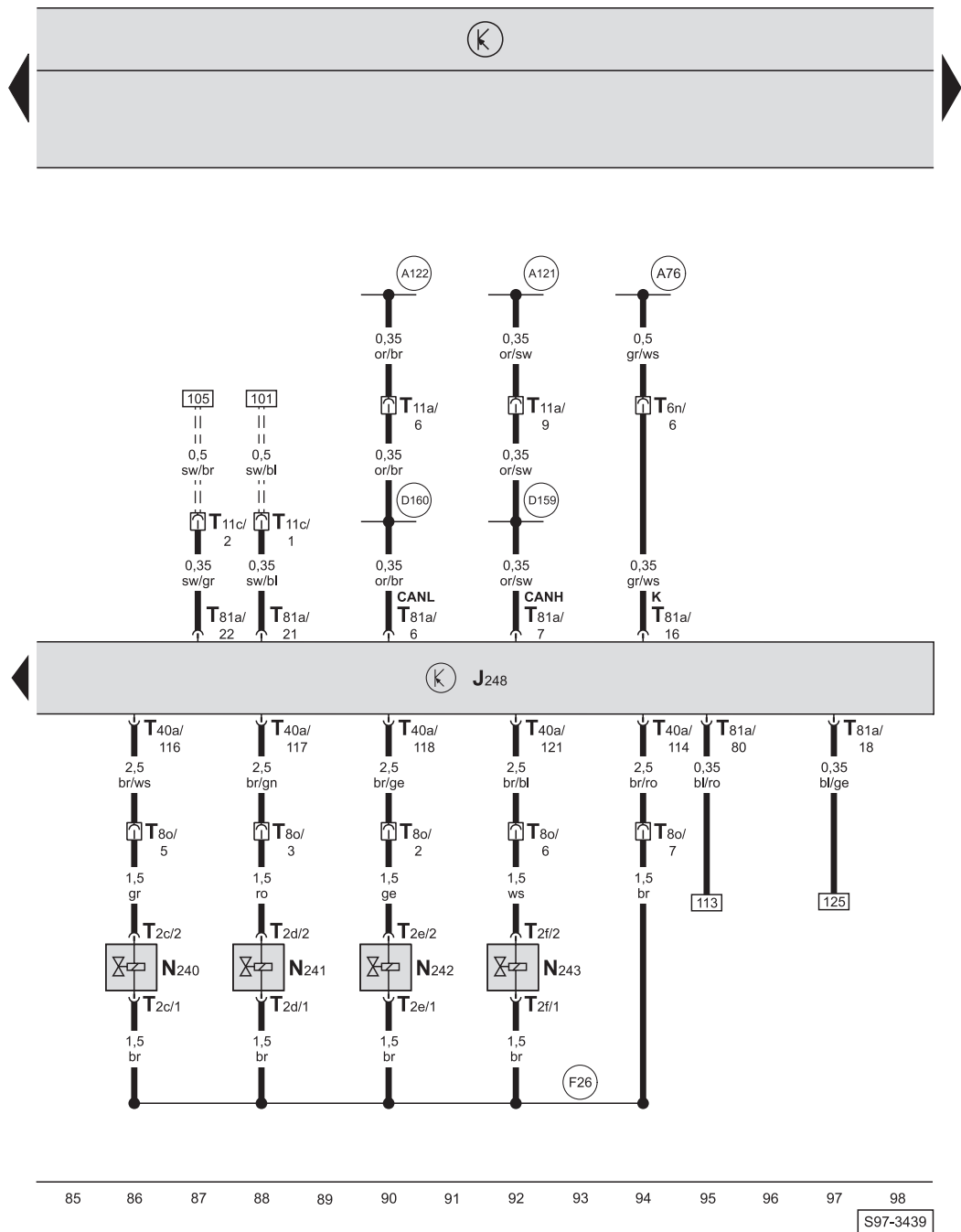


- G28 - Engine speed sender
- G40 - Camshaft position sender
- G70 - Air mass meter
- G71 - Intake manifold pressure sender
- G72 - Intake manifold temperature sender
- N79 - Crankcase breather heater element
- J248 - Diesel direct injection system control unit
- T2m - 2-pin connector, at crankcase breather heater element
- T3j - 3-pin connector, at camshaft position sender
- T3m - 3-pin connector, at engine speed sender
- T4g - 4-pin connector, at intake manifold pressure and intake manifold temperature sender
- T5l - 5-pin connector, at air mass meter
- T40a - 40-pin connector, at engine control unit
- T81a - 81-pin connector, at engine control unit

- (D52) - Positive connection (15a), in engine compartment wiring loom
- (F27) - Connection (screening), in engine pre-wiring wiring harness
- (F36) - Positive connection (87a), in engine assembly wiring loom

* - Applies only to models with optional equipment

Diesel direct injection system control unit, unit injectors

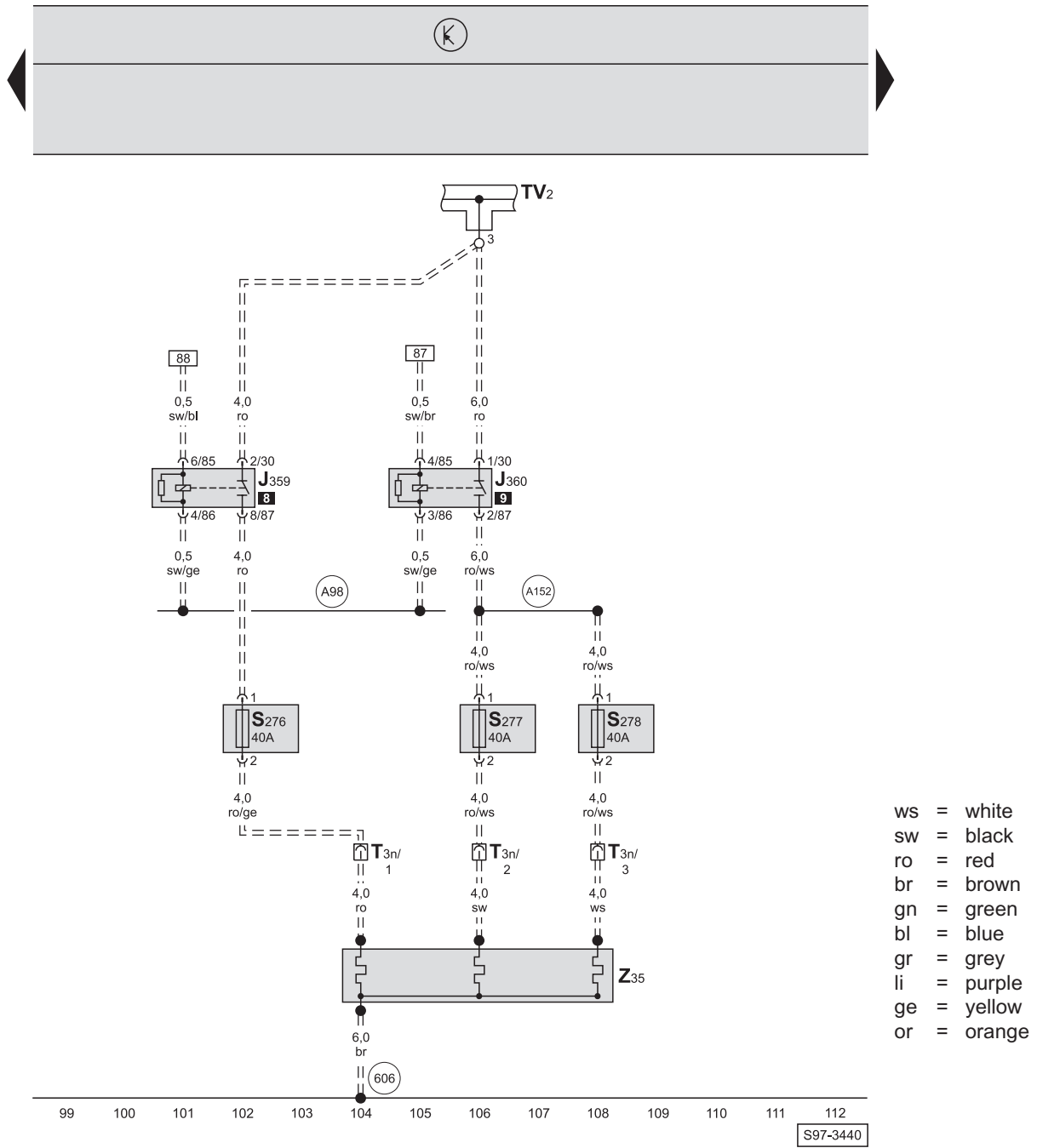


- ws = white
- sw = black
- ro = red
- br = brown
- gn = green
- bl = blue
- gr = grey
- li = purple
- ge = yellow
- or = orange

- J248 - Diesel direct injection system control unit
- N240 - Unit injector, cylinder 1
- N241 - Unit injector, cylinder 2
- N242 - Unit injector, cylinder 3
- N243 - Unit injector, cylinder 4
- T2c - 2-pin connector at unit injector valves, No. 1 cyl
- T2d - Plug connection, 2-pin, at unit injector, cylinder 2
- T2e - Plug connection, 2-pin, at unit injector, cylinder 3
- T2f - Plug connection, 2-pin, at unit injector, cylinder 4
- T6n - 6-pin connector, at left of bulkhead (blue)
- T80 - Plug connection, 8-pin, at cylinder head
- T11a - 11-pin connector, at left of bulkhead (white)
- T11c - 11-pin connector, at left of bulkhead (blue)
- T40a - 40-pin connector, at engine control unit
- T81a - 81-pin connector, at engine control unit

- (A76) - Connection (K diagnosis wire), in wiring loom behind dash panel on left
- (A121) - Connection (CAN-H), in wiring loom behind dash panel on
- (A122) - Connection (CAN-L), in wiring loom behind dash panel
- (D159) - Connection (CAN-H), in engine compartment wiring loom
- (D160) - Connection (CAN-L), in engine compartment wiring loom
- (F26) - Connection (earth), in cylinder head wiring loom
- === - Applies only to models with heating element (PTC)

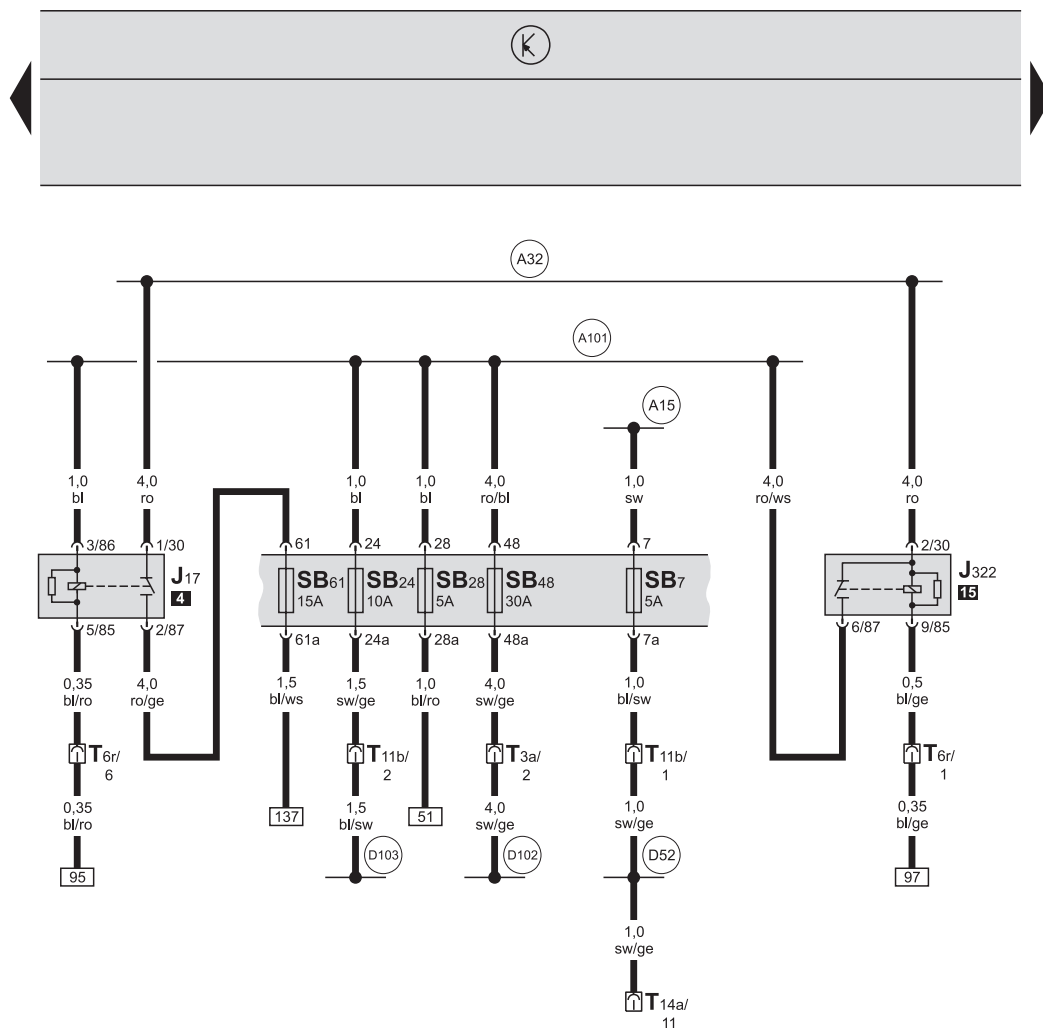
Low heating capacity relay, high heating capacity relay, heating element for additional heater (PTC), additional fuse holder



- J359 - Low heating capacity relay
- J360 - High heating capacity relay
- S276 - Fuse -1- for heater element
- S277 - Fuse -2- for heater element
- S278 - Fuse -3- for heater element
- T3n - 3-pin connector, behind dash panel (at PTC heating element)
- TV2 - Terminal 30 junction, behind dash panel on left
- Z35 - Additional heating heater element (PTC)

- (606) - Earth point, under the centre console, near gear stick
- (A98) - Positive connection (30a), in wiring loom behind dash panel (applies only to models with telephone system)
- (A152) - Connection (87), in wiring harness behind dash panel
- === - Applies only to models with heating element (PTC)

Fuel pump relay, diesel direct injection system relay, fuse holder



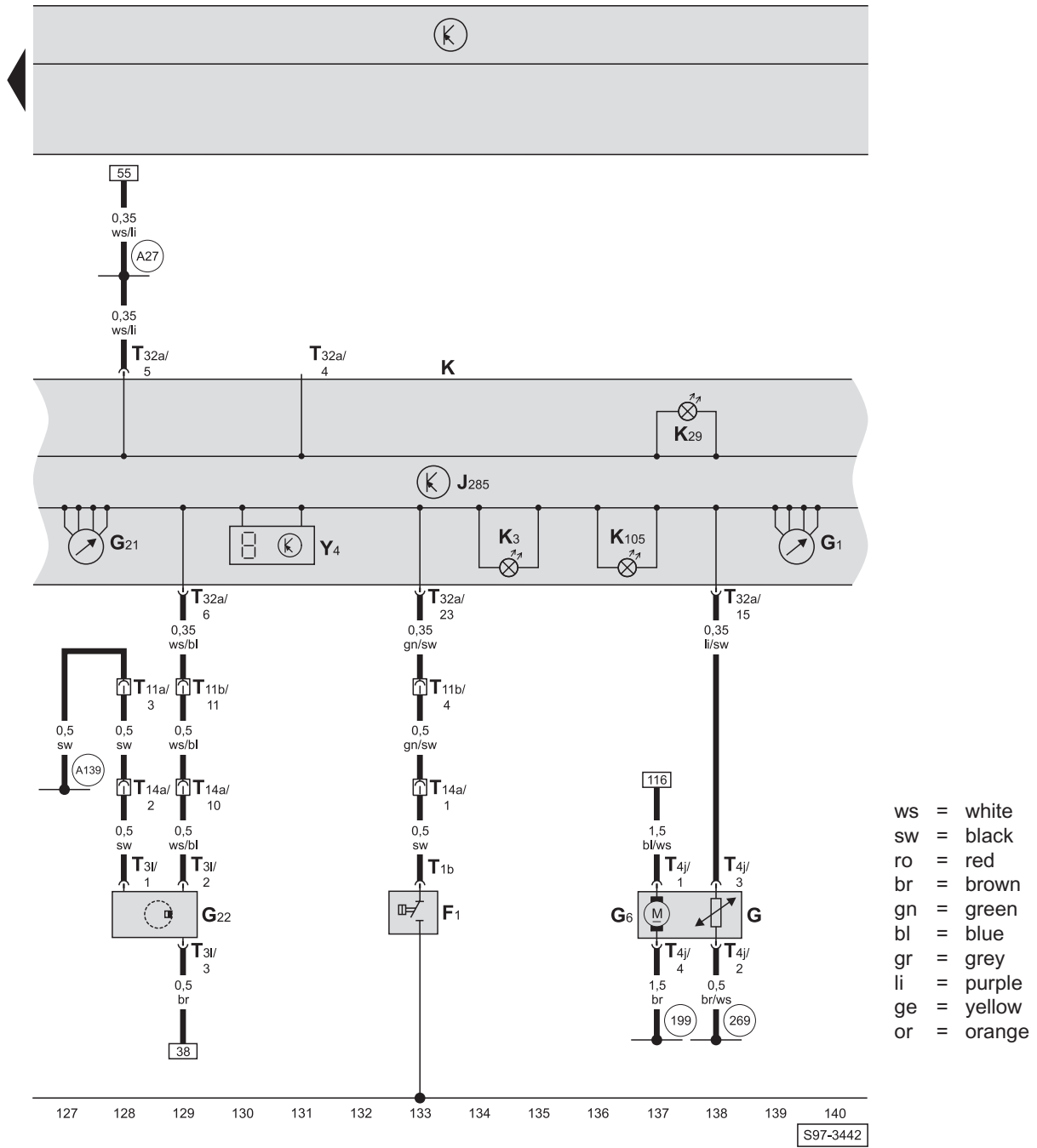
- ws = white
- sw = black
- ro = red
- br = brown
- gn = green
- bl = blue
- gr = grey
- li = purple
- ge = yellow
- or = orange

113 114 115 116 117 118 119 120 121 122 123 124 125 126
S97-3441

- J17 - Fuel pump relay
- J322 - Diesel direct injection system relay
- T3a - 3-pin connector, at left of bulkhead (grey)
- T6r - 6-pin connector, at left of bulkhead (brown)
- T11b - 11-pin connector, at left of bulkhead (red)
- T14a - Connector, 14-pin, in left of engine compartment (connection of the engine pre-assembly wiring loom/ engine compartment wiring loom)

- A15 - Positive connection (15), in wiring loom behind dash panel
- A32 - Positive connection (30a), in wiring loom behind dash panel on left
- A101 - Connection (87), in wiring loom behind dash panel
- D52 - Positive connection (15a), in engine compartment wiring loom
- D102 - Connection -2- (87a), in wiring loom in left of engine compartment
- D103 - Connection -3- (87a), in engine compartment wiring loom

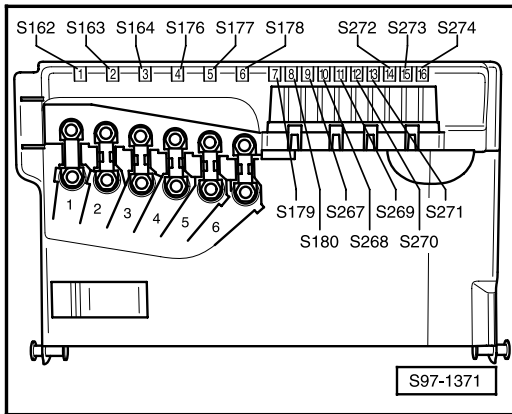
Dash panel insert, control unit in dash panel insert, warning lights, oil pressure switch, fuel gauge sender, fuel pump, speedometer sender, fuel gauge, speedometer, odometer display



- F1 - Oil pressure switch
- G - Fuel gauge sender
- G1 - Fuel gauge
- G6 - Fuel pump
- G21 - Speedometer
- G22 - Speedometer sender
- J285 - Control unit in dash panel insert
- K - Dash panel insert
- K3 - Oil pressure warning lamp
- K29 - Glow period warning lamp
- K105 - Reserve fuel warning lamp
- T1b - 1-pin connector, at oil pressure switch
- T3l - 3-pin connector, at speedometer sender
- T4j - 4-pin connector, at fuel pump
- T11a - 11-pin connector, at left of bulkhead (white)
- T11b - 11-pin connector, at left of bulkhead (red)
- T14a - Connector, 14-pin, in left of engine compartment (connection of the engine pre-assembly wiring loom/ engine compartment wiring loom)
- T32a - 32-pin connector, at dash panel insert
- Y4 - Odometer display
- 199 - Earth connection, in wiring harness behind dash panel
- 269 - Earth connection (sender earth) -1-, in wiring harness behind dash panel
- A27 - Connection (vehicle speed signal), in wiring loom behind dash panel
- A139 - Positive connection (15), in wiring loom behind dash panel

Power assisted steering (TRW), from August 2002

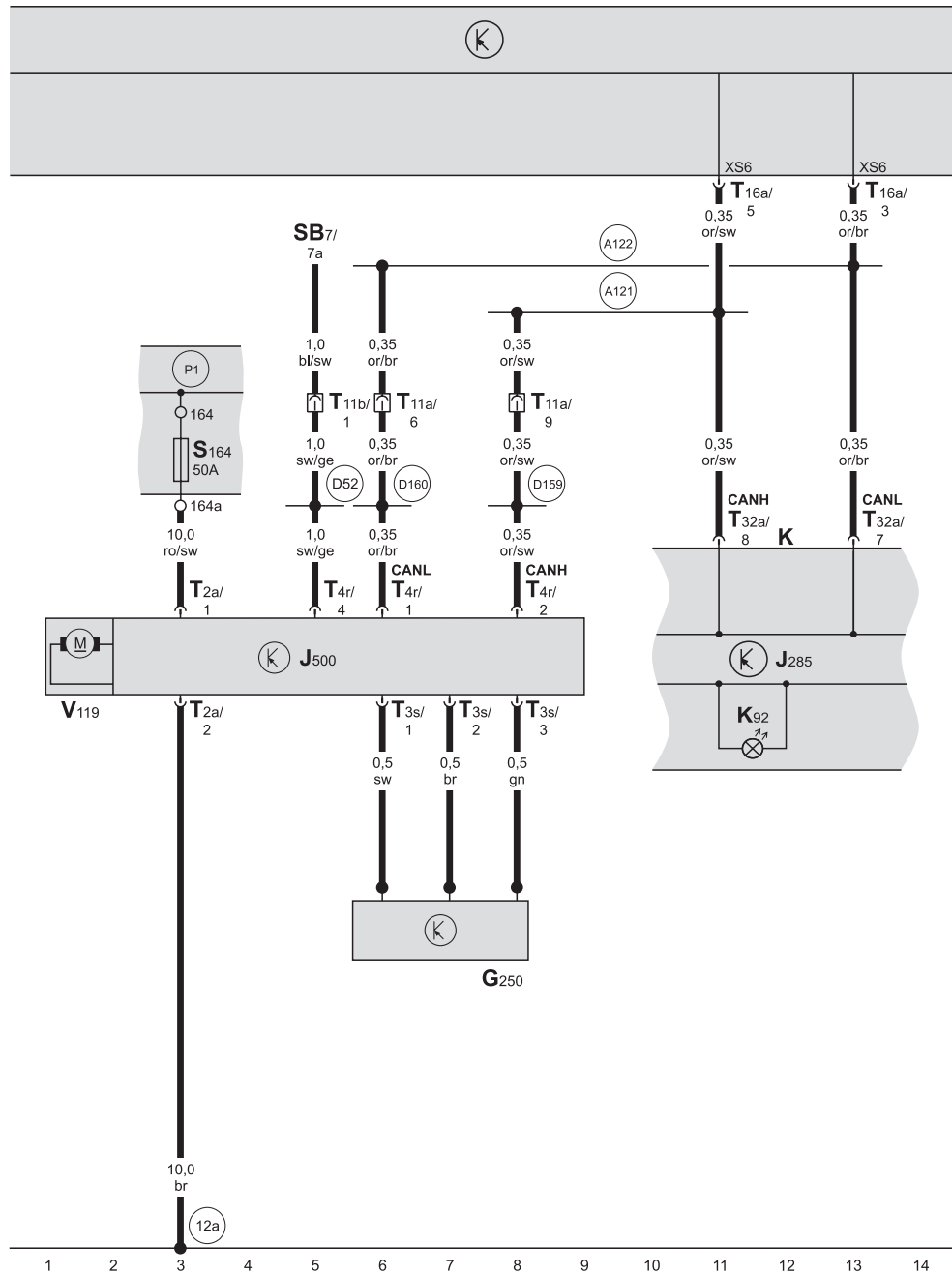
Fuse holder on battery:



Fuse colours

- 30A - green
- 25A - white
- 20A - yellow
- 15A - blue
- 10A - red
- 7.5A - brown
- 5A - beige

Power-assisted steering



- ws = white
- sw = black
- ro = red
- br = brown
- gn = green
- bl = blue
- gr = grey
- li = purple
- ge = yellow
- or = orange

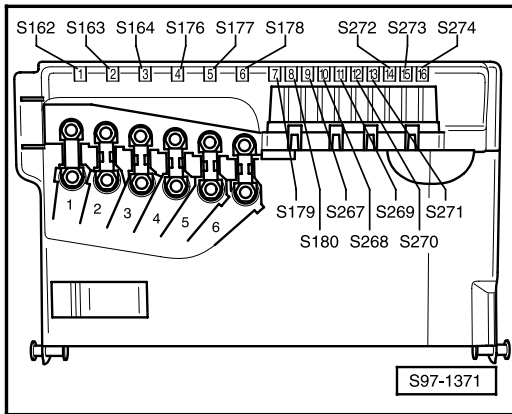
- G250 - Power-assisted steering sender
- J285 - Control unit in dash panel insert
- J500 - Power-assisted steering control unit
- K - Dash panel insert
- K92 - Servotronic warning lamp
- S164 - Fuse -3- (30), in fuse holder on battery
- SB7 - Fuse, in fuse holder
- T2a - Plug connection, 2-pin, at power-assisted steering control unit
- T3s - Plug connection, 3-pin, at power-assisted steering control unit
- T4r - Plug connection, 4-pin, at power-assisted steering control unit
- T11a - 11-pin connector, at left of bulkhead (white)
- T11b - 11-pin connector, at left of bulkhead (red)
- T16a - 16-pin connector, at electrical system control unit (black)
- T32a - 32-pin connector, at dash panel insert
- V119 - Power-assisted steering hydraulics pump

- 12a - Earth point -2-, in engine compartment, on left below battery (at side member)
- A121 - Connection (CAN-H), in wiring loom behind dash panel on
- A122 - Connection (CAN-L), in wiring loom behind dash panel
- D52 - Positive connection (15a), in engine compartment wiring loom
- D159 - Connection (CAN-H), in engine compartment wiring loom
- D160 - Connection (CAN-L), in engine compartment wiring loom
- P1 - Positive connection (30), in fuse holder on battery

S97-2021

Power assisted steering (KOYO), from August 2002

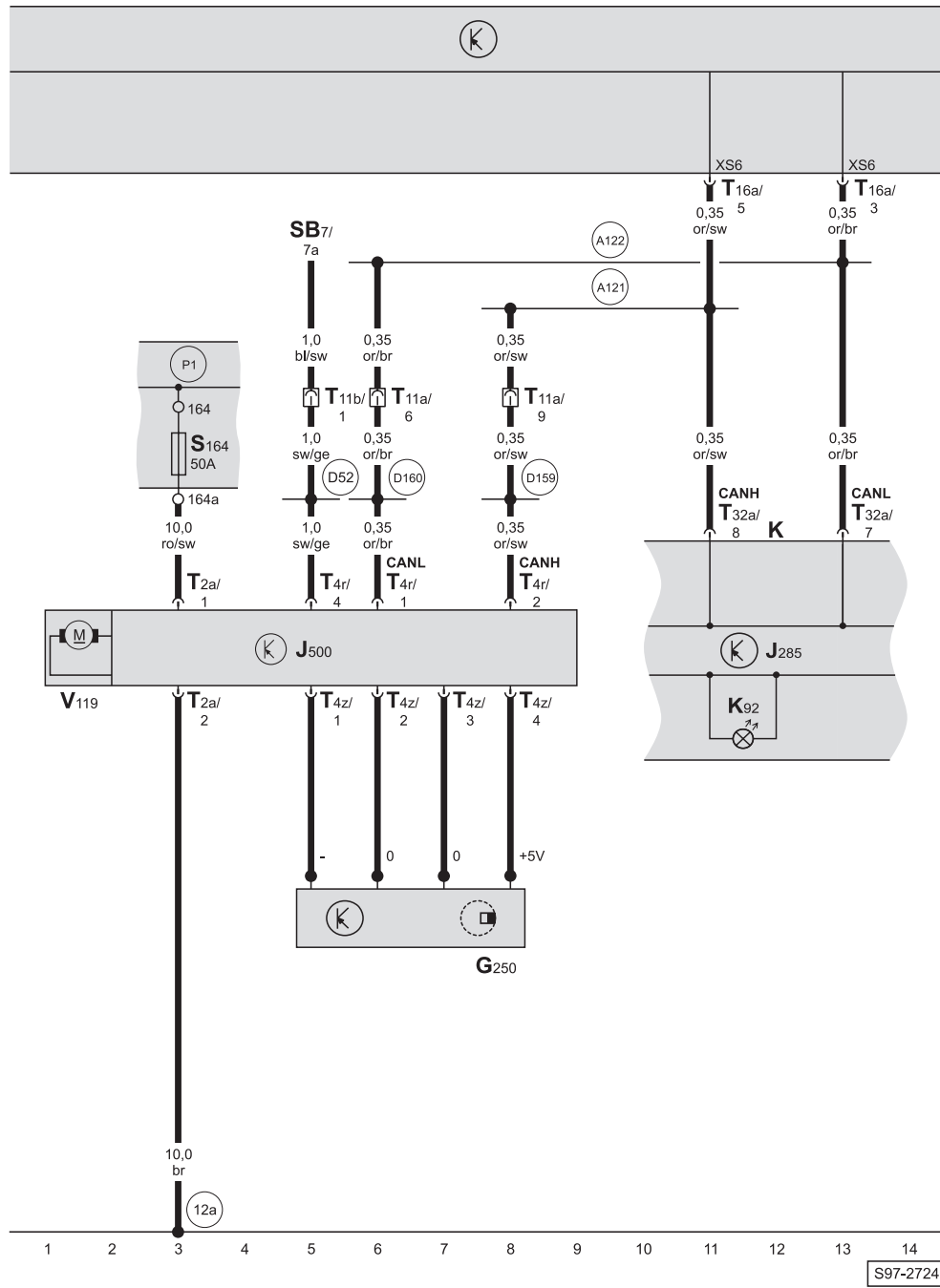
Fuse holder on battery:



Fuse colours

- 30A - green
- 25A - white
- 20A - yellow
- 15A - blue
- 10A - red
- 7.5A - brown
- 5A - beige

Power-assisted steering



- ws = white
- sw = black
- ro = red
- br = brown
- gn = green
- bl = blue
- gr = grey
- li = purple
- ge = yellow
- or = orange

- G250 - Power-assisted steering sender
- J285 - Control unit in dash panel insert
- J500 - Power-assisted steering control unit
- K - Dash panel insert
- K92 - Servotronic warning lamp
- S164 - Fuse -3- (30), in fuse holder on battery
- SB7 - Fuse, in fuse holder
- T2a - Plug connection, 2-pin, at power-assisted steering control unit
- T4r - Plug connection, 4-pin, at power-assisted steering control unit
- T4z - Connector, 4-pin, at power-assisted steering control unit
- T11a - 11-pin connector, at left of bulkhead (white)
- T11b - 11-pin connector, at left of bulkhead (red)
- T16a - 16-pin connector, at electrical system control unit (black)
- T32a - 32-pin connector, at dash panel insert
- V119 - Power-assisted steering hydraulics pump

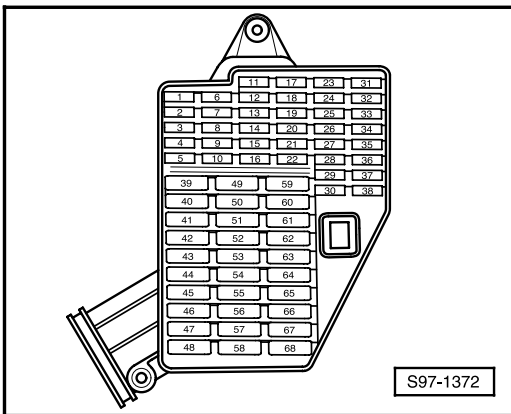
- 12a - Earth point -2-, in engine compartment, on left below battery (at side member)
- A121 - Connection (CAN-H), in wiring loom behind dash panel on
- A122 - Connection (CAN-L), in wiring loom behind dash panel
- D52 - Positive connection (15a), in engine compartment wiring loom
- D159 - Connection (CAN-H), in engine compartment wiring loom
- D160 - Connection (CAN-L), in engine compartment wiring loom
- P1 - Positive connection (30), in fuse holder on battery

S97-2724

Anti-lock brake system (ABS)

Antilock brake system(ABS) with differential lock (EDL) and traction control system (TCS), from August 2002

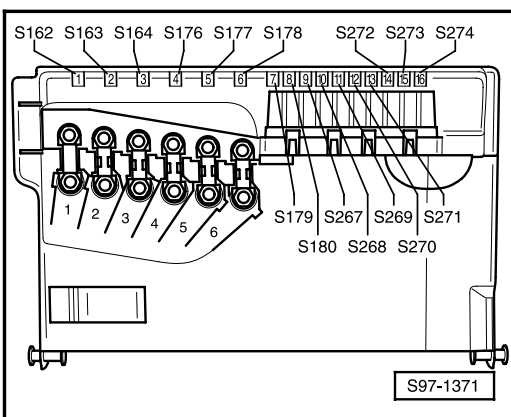
Fuse holder:



Fuse colours

- 30A - green
- 25A - white
- 20A - yellow
- 15A - blue
- 10A - red
- 7.5A - brown
- 5A - beige

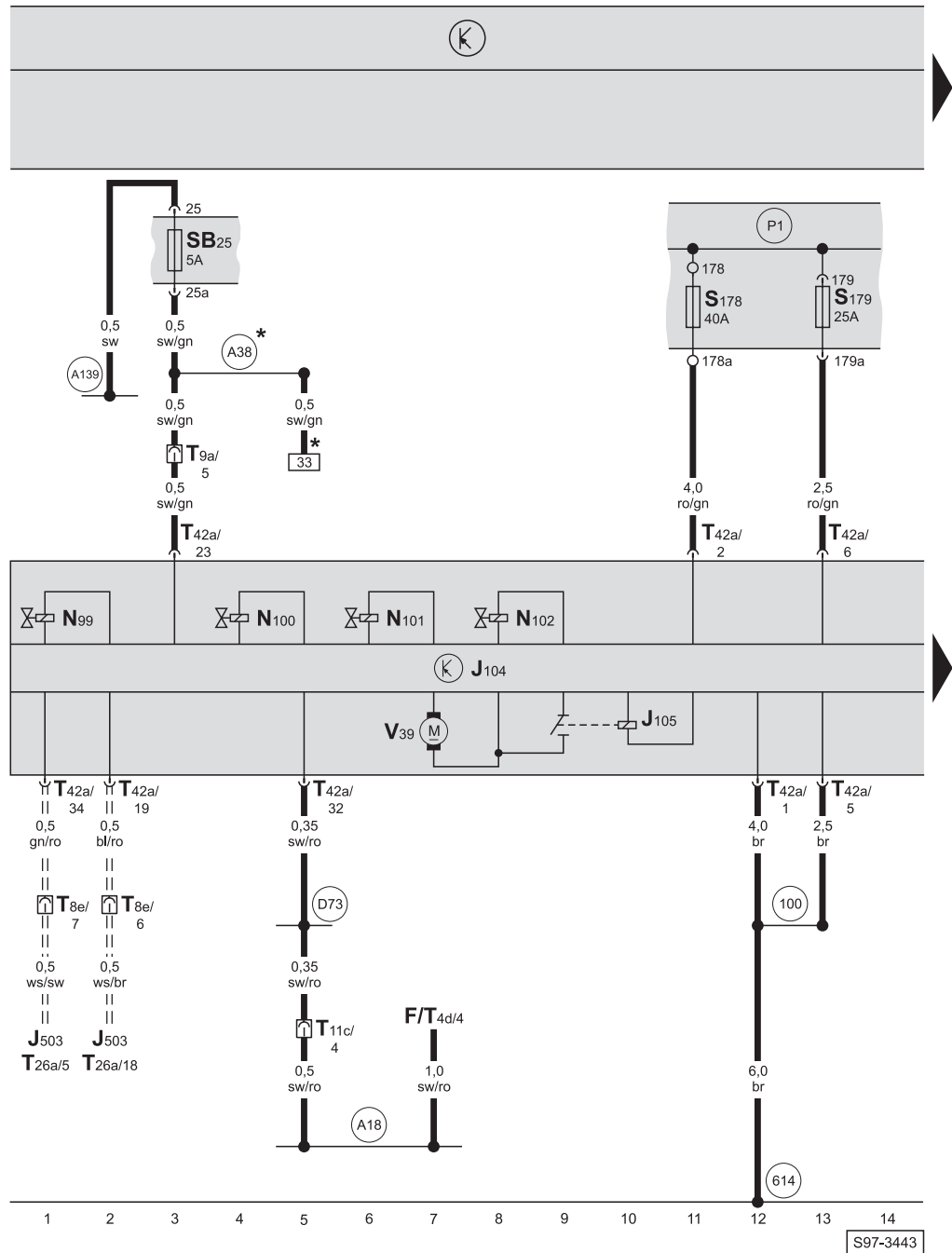
Fuse holder on battery:



Fuse colours

- 30A - green
- 25A - white
- 20A - yellow
- 15A - blue
- 10A - red
- 7.5A - brown
- 5A - beige

ABS/ABS with EDL and TCS control unit, fuse holder on battery, fuse holder

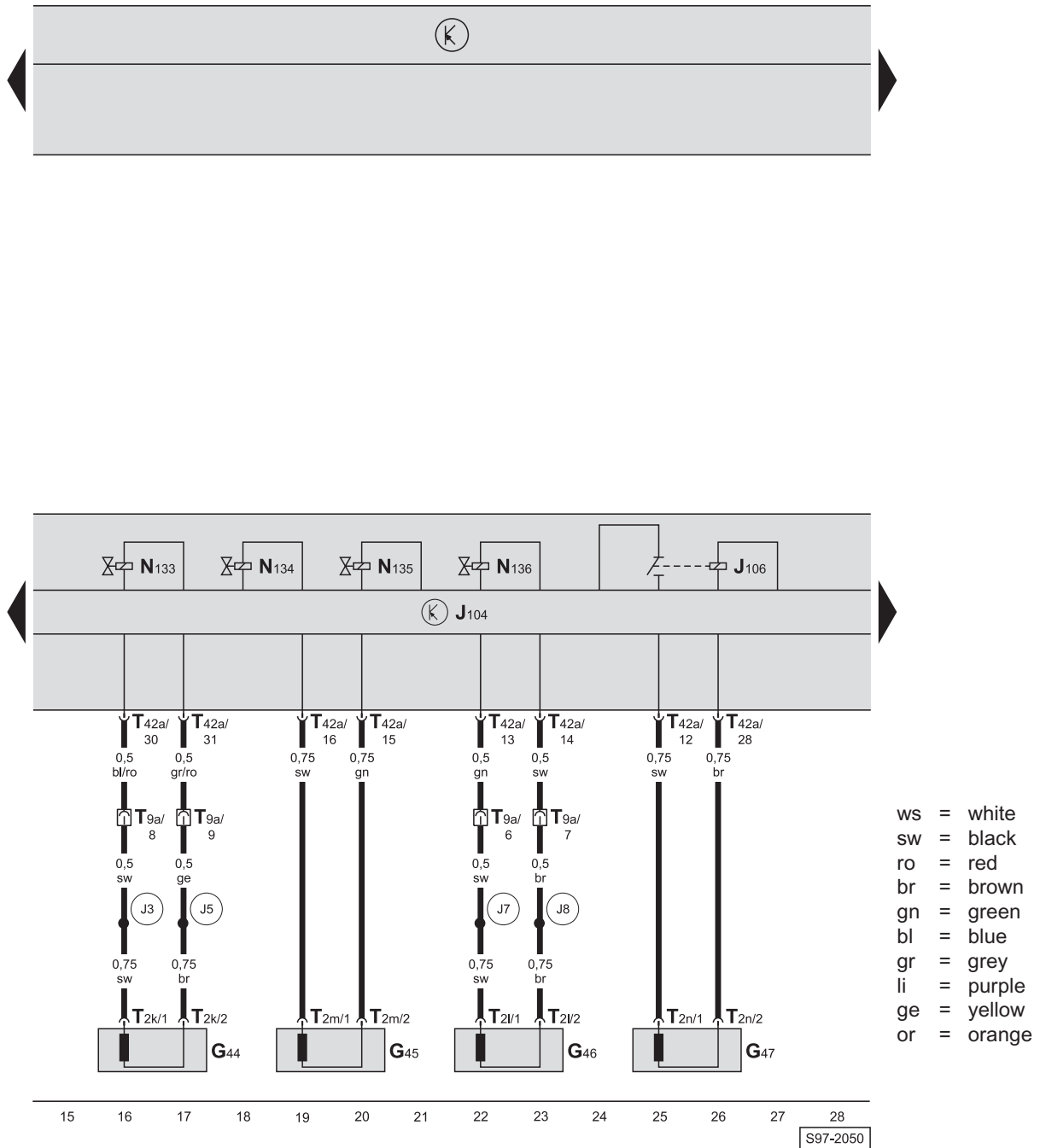


- ws = white
- sw = black
- ro = red
- br = brown
- gn = green
- bl = blue
- gr = grey
- li = purple
- ge = yellow
- or = orange

- F - Brake light switch
- J104 - ABS/ABS with EDL and TCS control unit
- J105 - Return delivery pump relay - ABS
- J503 - Navigation system control unit
- N99 - ABS inlet valve, front right
- N100 - ABS outlet valve, front right
- N101 - ABS inlet valve, front left
- N102 - ABS outlet valve, front left
- S178 - Fuse -6- (30), in fuse holder on battery
- S179 - Fuse -7- (30), in fuse holder on battery
- T4d - 4-pin connector, at brake pedal switch
- T8e - Plug connection, 8-pin, at left of bulkhead (orange)
- T9a - Connector, 9-pin, at left of bulkhead (yellow)
- T11c - 11-pin connector, at left of bulkhead (blue)
- T26a - 26-pin connector, at navigation system control unit
- T42a - Connector, 42-pin, at ABS/ABS with EDL and TCS control unit
- V39 - ABS return delivery pump

- (100) - Earth connection (ABS), in engine compartment wiring loom
- (614) - Earth point -2-, in rear right of engine compartment
- (A18) - Connection (54), in wiring loom behind dash panel
- (A38) - Positive connection -2- (15a), in wiring loom behind dash panel
- (A139) - Positive connection (15), in wiring loom behind dash panel
- (D73) - Connection (54), in left of engine compartment wiring loom
- (P1) - Positive connection (30), in fuse holder on battery
- * - Applies only to models with TCS
- === - applies only to models with navigation system

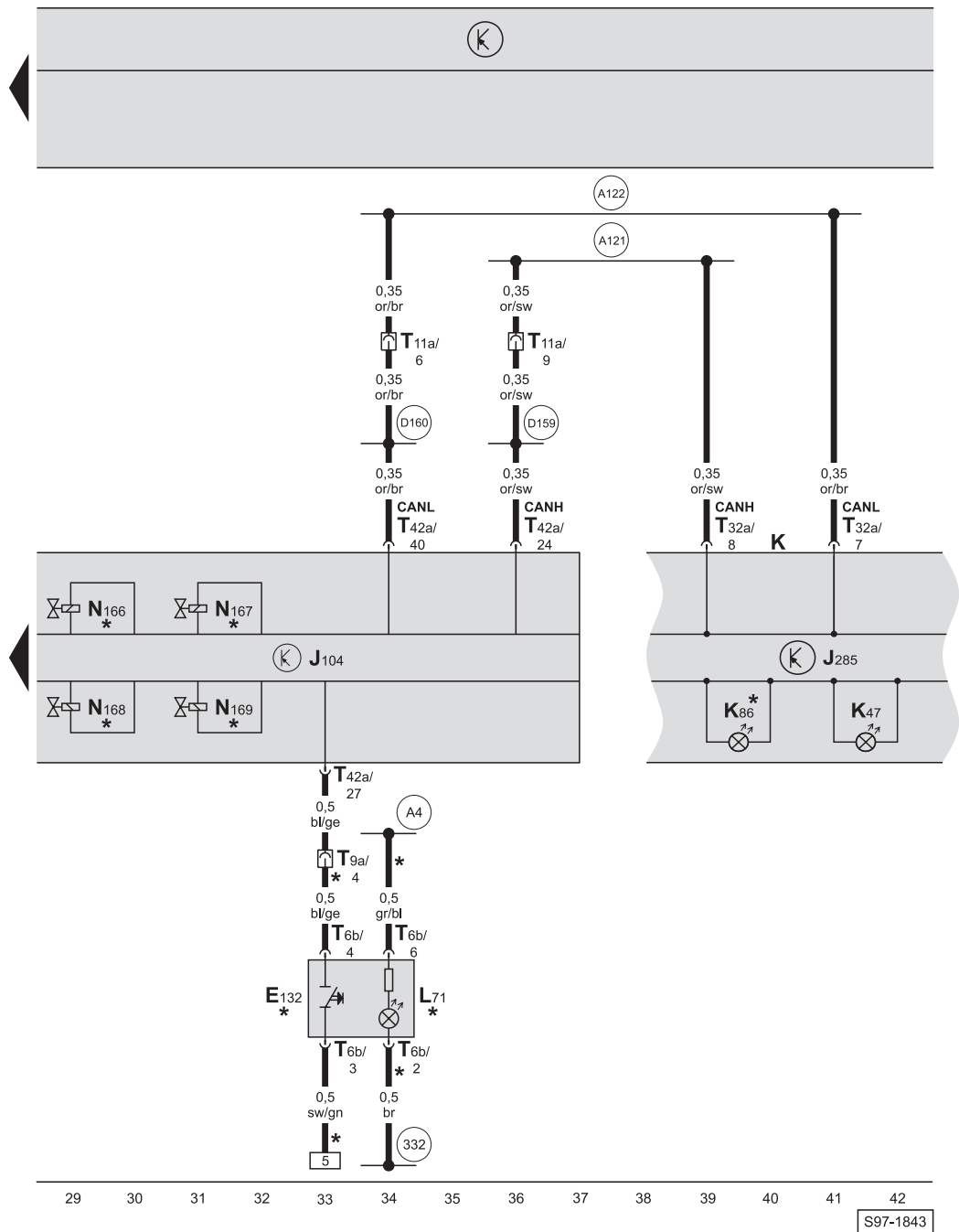
ABS/ABS with EDL and TCS control unit, wheel speed sensors



- G44 - Wheel speed sensor, rear right
- G45 - Wheel speed sensor, front right
- G46 - Wheel speed sensor, rear left
- G47 - Wheel speed sensor, front left
- J104 - ABS/ABS with EDL and TCS control unit
- J106 - ABS solenoid valves relay
- N133 - ABS inlet valve, rear right
- N134 - ABS inlet valve, rear left
- N135 - ABS outlet valve, rear right
- N136 - ABS outlet valve, rear left
- T2k - 2-pin connector, at rear right wheel speed sensor
- T2l - 2-pin connector, at rear left wheel speed sensor
- T2m - 2-pin connector, at front right wheel speed sensor
- T2n - 2-pin connector, at front left wheel speed sensor
- T9a - Connector, 9-pin, at left of bulkhead (yellow)
- T42a - Connector, 42-pin, at ABS/ABS with EDL and TCS control unit

- J3** - Connection, in rear right wiring loom
- J5** - Connection, in rear right wiring loom
- J7** - Connection, in rear left wiring loom
- J8** - Connection, in rear left wiring loom

ABS/ABS with EDL and TCS control unit, TCS switch, dash panel insert



- ws = white
- sw = black
- ro = red
- br = brown
- gn = green
- bl = blue
- gr = grey
- li = purple
- ge = yellow
- or = orange

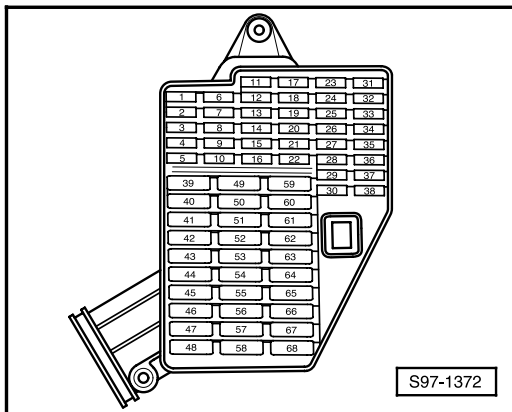
- E132 - TCS switch
- J104 - ABS/ABS with EDL and TCS control unit
- J285 - Control unit in dash panel insert
- K - Dash panel insert
- K47 - ABS warning lamp
- K86 - Traction control system warning lamp
- L71 - TCS switch lighting
- N166 - Front right EDL changeover valve
- N167 - Front right EDL outlet valve
- N168 - Front left EDL changeover valve
- N169 - Front left EDL outlet valve
- T5b - Connector, 5-pin, at TCS switch
- T9a - Connector, 9-pin, at left of bulkhead (yellow)
- T11a - 11-pin connector, at left of bulkhead (white)
- T32a - 32-pin connector, at dash panel insert
- T42a - Connector, 42-pin, at ABS/ABS with EDL and TCS control unit

- 332 - Earth connection, in wiring harness behind dash panel
- A4 - Positive connection (58b), in wiring loom behind dash panel
- A121 - Connection (CAN-H), in wiring loom behind dash panel on
- A122 - Connection (CAN-L), in wiring loom behind dash panel
- D159 - Connection (CAN-H), in engine compartment wiring loom
- D160 - Connection (CAN-L), in engine compartment wiring loom
- * - Applies only to models with TCS

S97-1843

Anti-lock brake system (ABS) with electronic differential lock (EDL), traction control system (TCS), electronic stabilisation program (ESP), from August 2002

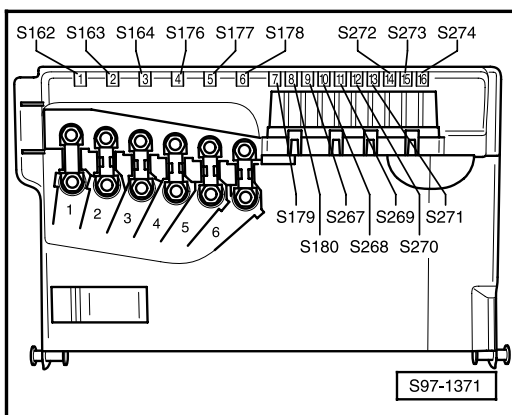
Fuse holder:



Fuse colours

- 30A - green
- 25A - white
- 20A - yellow
- 15A - blue
- 10A - red
- 7.5A - brown
- 5A - beige

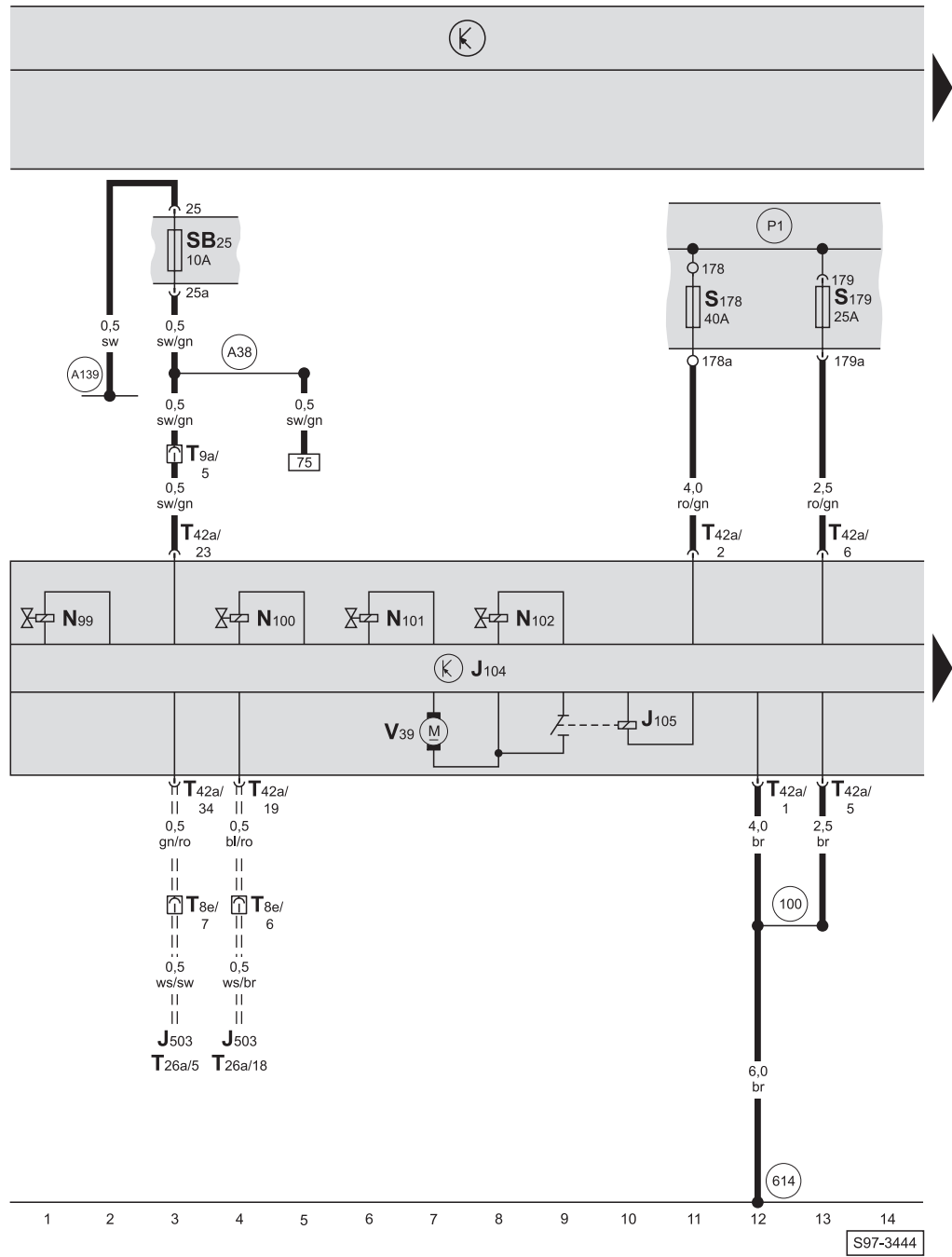
Fuse holder on battery:



Fuse colours

- 30A - green
- 25A - white
- 20A - yellow
- 15A - blue
- 10A - red
- 7.5A - brown
- 5A - beige

ABS with EDL and TCS/ESP control unit, fuse holder on battery, fuse holder

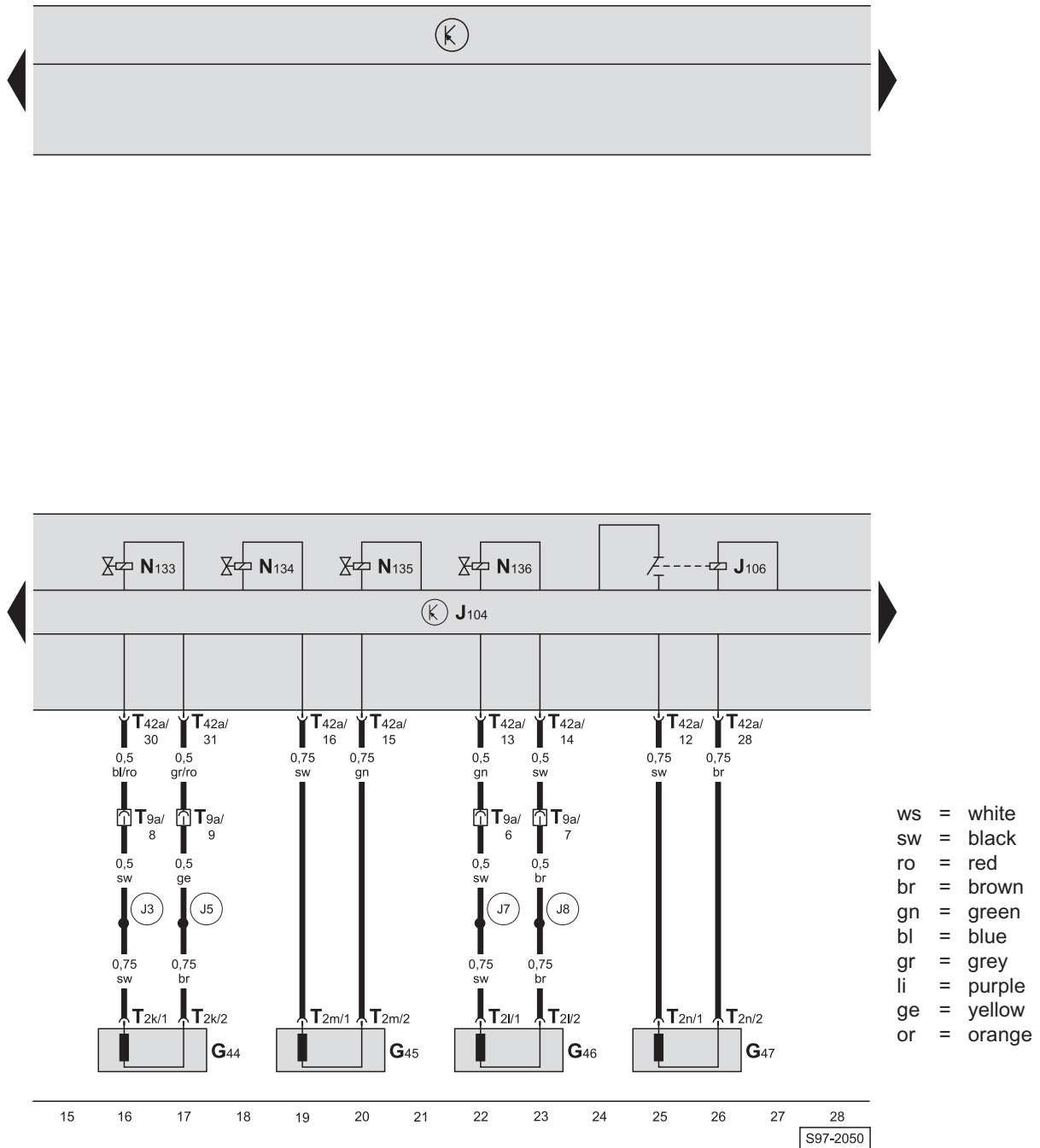


- ws = white
- sw = black
- ro = red
- br = brown
- gn = green
- bl = blue
- gr = grey
- li = purple
- ge = yellow
- or = orange

- J104 - ABS with EDL and TCS/ESP control unit
- J105 - Return delivery pump relay - ABS
- J503 - Navigation system control unit
- N99 - ABS inlet valve, front right
- N100 - ABS outlet valve, front right
- N101 - ABS inlet valve, front left
- N102 - ABS outlet valve, front left
- S178 - Fuse -6- (30), in fuse holder on battery
- S179 - Fuse -7- (30), in fuse holder on battery
- T8e - Plug connection, 8-pin, at left of bulkhead (orange)
- T9a - Connector, 9-pin, at left of bulkhead (yellow)
- T26a - 26-pin connector, at navigation system control unit
- T42a - Connector, 42-pin, at ABS with EDL and TCS/ESP control unit
- V39 - ABS return delivery pump

- 100 - Earth connection (ABS), in engine compartment wiring loom
- 614 - Earth point -2-, in rear right of engine compartment
- A38 - Positive connection -2- (15a), in wiring loom behind dash panel
- A139 - Positive connection (15), in wiring loom behind dash panel
- P1 - Positive connection (30), in fuse holder on battery
- === - applies only to models with navigation system

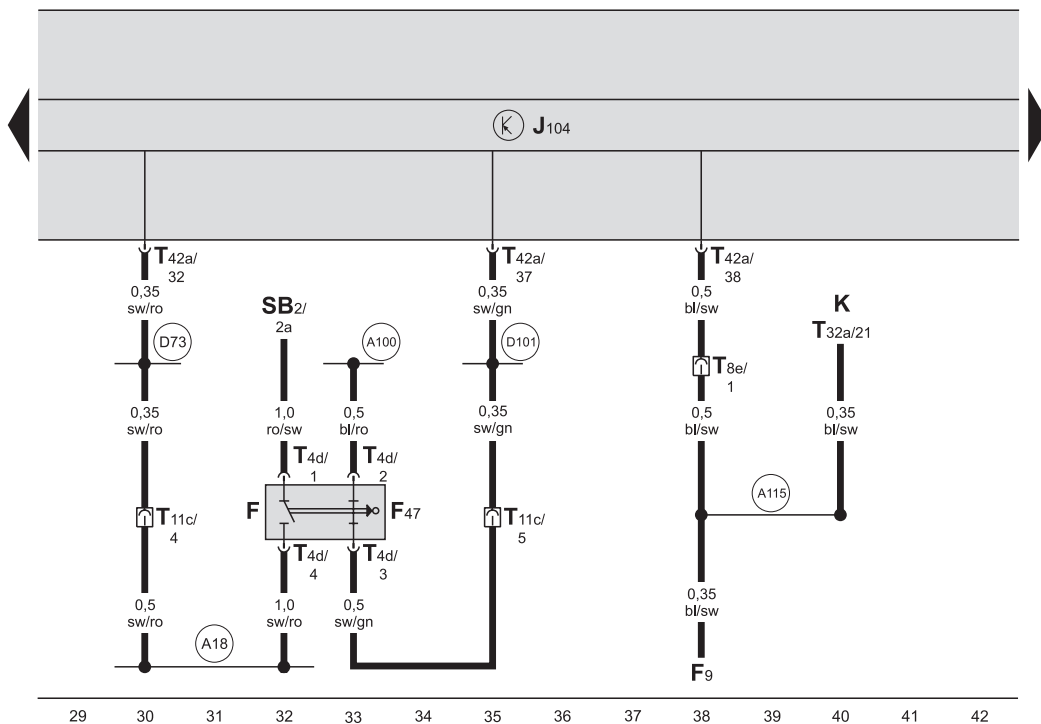
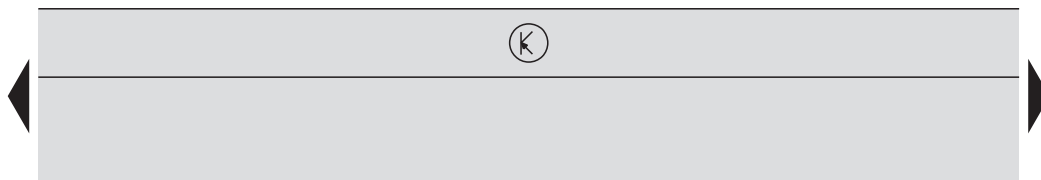
ABS with EDL and TCS/ESP control unit, wheel speed sensors



- G44 - Wheel speed sensor, rear right
- G45 - Wheel speed sensor, front right
- G46 - Wheel speed sensor, rear left
- G47 - Wheel speed sensor, front left
- J104 - ABS with EDL and TCS/ESP control unit
- J106 - ABS solenoid valves relay
- N133 - ABS inlet valve, rear right
- N134 - ABS inlet valve, rear left
- N135 - ABS outlet valve, rear right
- N136 - ABS outlet valve, rear left
- T2k - 2-pin connector, at rear right wheel speed sensor
- T2l - 2-pin connector, at rear left wheel speed sensor
- T2m - 2-pin connector, at front right wheel speed sensor
- T2n - 2-pin connector, at front left wheel speed sensor
- T9a - Connector, 9-pin, at left of bulkhead (yellow)
- T42a - Connector, 42-pin, at ABS with EDL and TCS/ESP control unit

- J3** - Connection, in rear right wiring loom
- J5** - Connection, in rear right wiring loom
- J7** - Connection, in rear left wiring loom
- J8** - Connection, in rear left wiring loom

ABS with EDL and TCS/ESP control unit, brake pedal switch



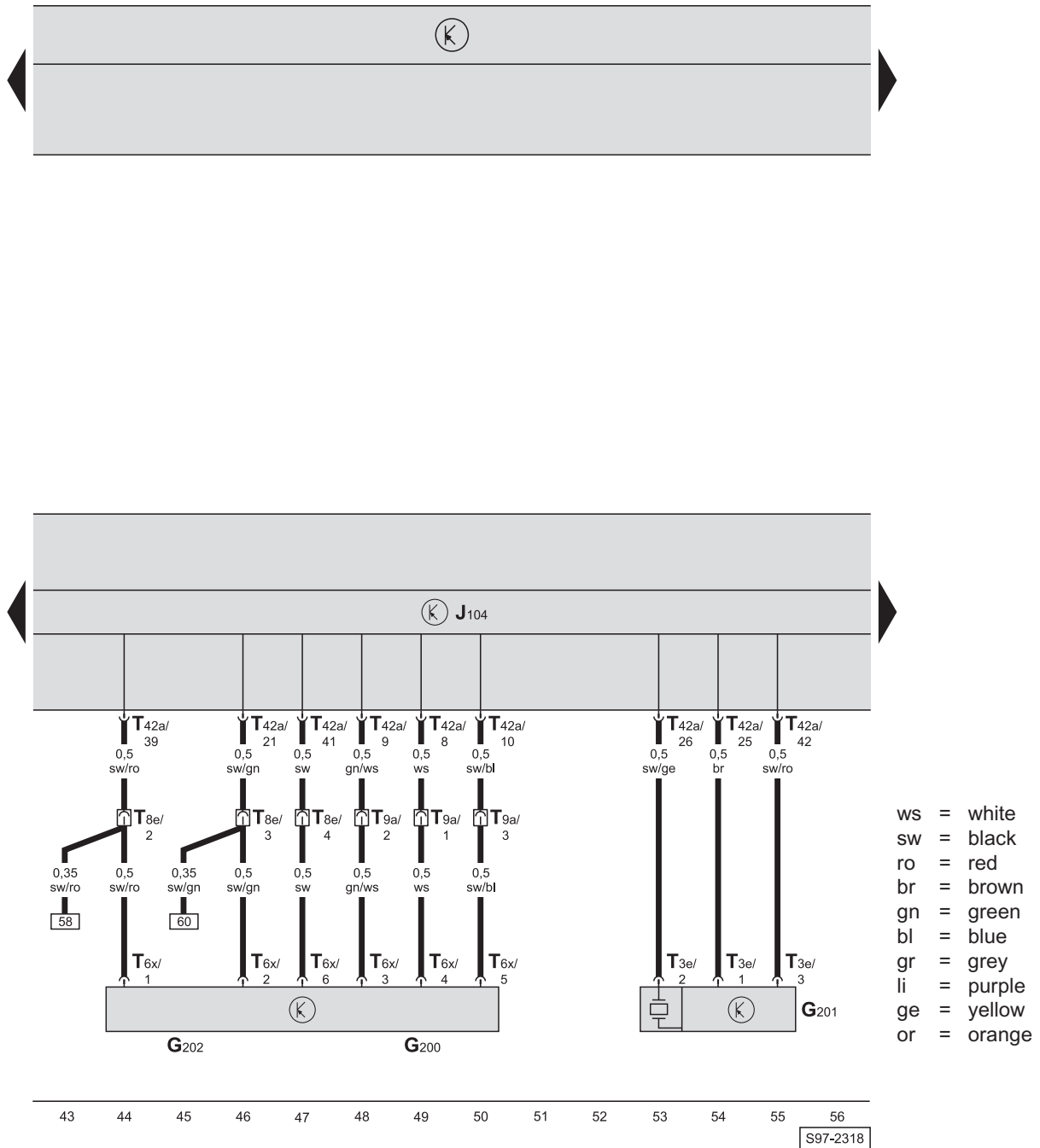
- ws = white
- sw = black
- ro = red
- br = brown
- gn = green
- bl = blue
- gr = grey
- li = purple
- ge = yellow
- or = orange

- F - Brake light switch
- F9 - Handbrake warning switch
- F47 - Brake pedal switch
- J104 - ABS with EDL and TCS/ESP control unit
- K - Dash panel insert
- SB2 - Fuse, in fuse holder
- T4d - 4-pin connector, at brake pedal switch
- T8e - Plug connection, 8-pin, at left of bulkhead (orange)
- T11c - 11-pin connector, at left of bulkhead (blue)
- T32a - 32-pin connector, at dash panel insert
- T42a - Connector, 42-pin, at ABS with EDL and TCS/ESP control unit

- (A18) - Connection (54), in wiring loom behind dash panel
- (A100) - Connection (87a), in wiring loom behind dash panel
- (A115) - Connection (handbrake indicator), in wiring loom behind dash panel
- (D73) - Connection (54), in left of engine compartment wiring loom
- (D101) - Connection (brake pedal switch), in engine compartment wiring loom

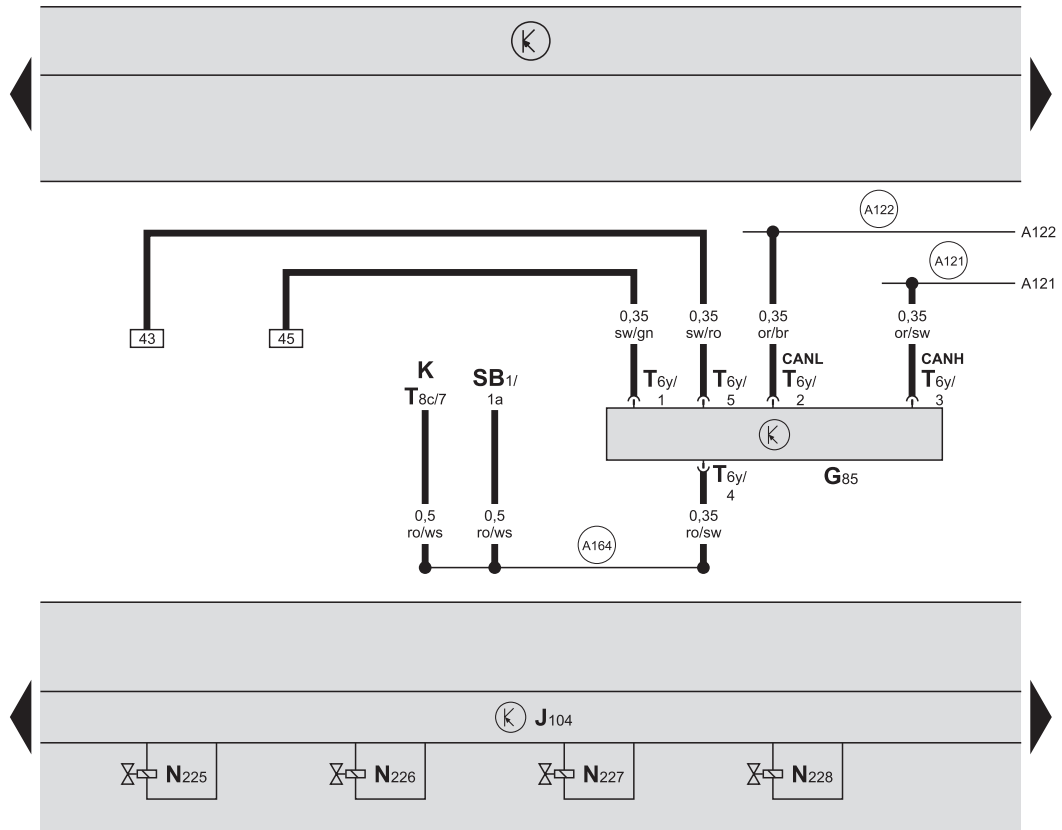
S97-3445

ABS with EDL and TCS/ESP control unit, brake pressure sender -1-, lateral acceleration sender, yaw rate sender



- G200 - Lateral acceleration sender, below driver seat
- G201 - Brake pressure sender -1-, at hydraulic unit
- G202 - Yaw rate sender, below driver seat
- J104 - ABS with EDL and TCS/ESP control unit
- T3e - Connector, 3-pin, at brake pressure sender -1-, at hydraulic unit
- T6x - Connector, 6-pin, at lateral acceleration and yaw rate sender
- T8e - Plug connection, 8-pin, at left of bulkhead (orange)
- T9a - Connector, 9-pin, at left of bulkhead (yellow)
- T42a - Connector, 42-pin, at ABS with EDL and TCS/ESP control unit

ABS with EDL and TCS/ESP control unit, steering angle sender



- ws = white
- sw = black
- ro = red
- br = brown
- gn = green
- bl = blue
- gr = grey
- li = purple
- ge = yellow
- or = orange

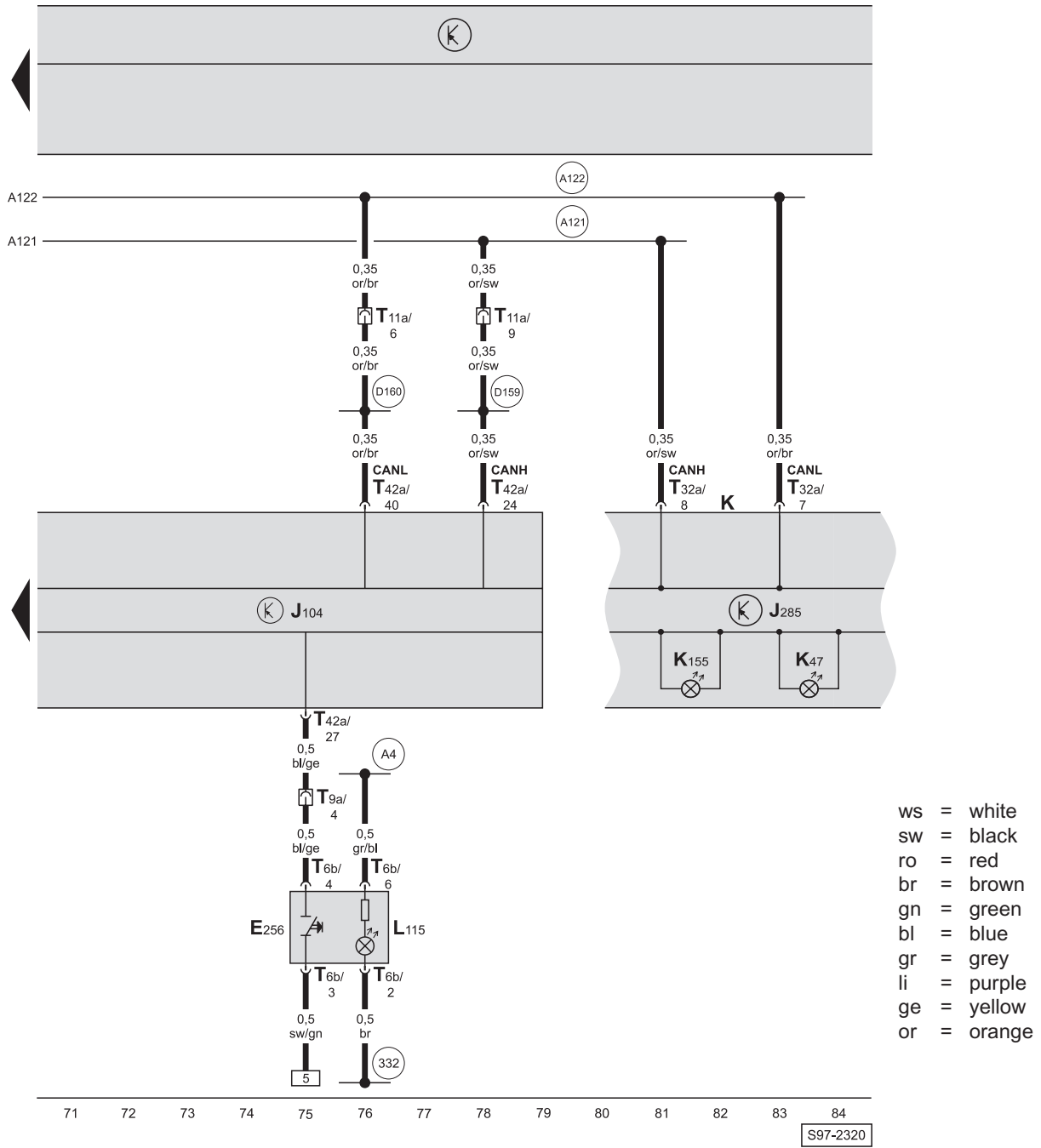
57 58 59 60 61 62 63 64 65 66 67 68 69 70

S97-2319

- G85 - Steering angle sender
- J104 - ABS with EDL and TCS/ESP control unit
- K - Dash panel insert
- N225 - Electronic stability programme, valve -1-
- N226 - Electronic stability programme, valve -2-
- N227 - Electronic stability programme high pressure valve -1-
- N228 - Electronic stability programme high pressure valve -2-
- SB1 - Fuse, in fuse holder
- T6y - Connector, 6-pin, at steering angle sender
- T8c - 8-pin connector, at dash panel insert

- (A121) - Connection (CAN-H), in wiring loom behind dash panel on
- (A122) - Connection (CAN-L), in wiring loom behind dash panel
- (A164) - Positive connection (30a), in wiring loom behind dash panel

ABS with EDL and TCS/ESP control unit, TCS/ESP switch, dash panel insert

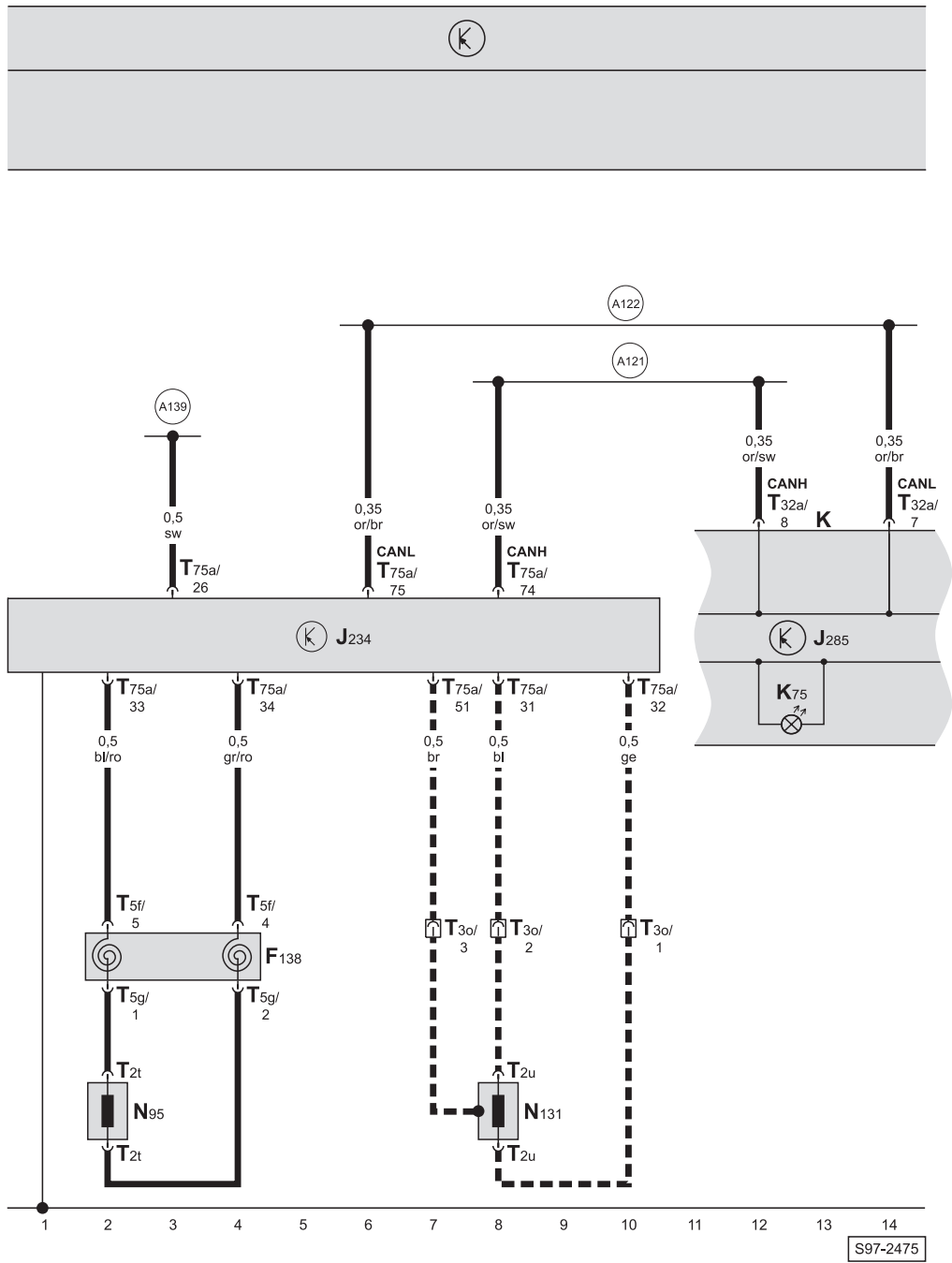


- E256 - TCS/ESP switch
- J104 - ABS with EDL and TCS/ESP control unit
- J285 - Control unit in dash panel insert
- K - Dash panel insert
- K47 - ABS warning lamp
- K155 - Warning lamp for stability programme
- L115 - TCS/ESP switch illumination
- T6b - Connector, 6-pin, at TCS/ESP switch
- T9a - Connector, 9-pin, at left of bulkhead (yellow)
- T11a - 11-pin connector, at left of bulkhead (white)
- T32a - 32-pin connector, at dash panel insert
- T42a - Connector, 42-pin, at ABS with EDL and TCS/ESP control unit

- 332 - Earth connection, in wiring harness behind dash panel
- A4 - Positive connection (58b), in wiring loom behind dash panel
- A121 - Connection (CAN-H), in wiring loom behind dash panel on
- A122 - Connection (CAN-L), in wiring loom behind dash panel
- D159 - Connection (CAN-H), in engine compartment wiring loom
- D160 - Connection (CAN-L), in engine compartment wiring loom

**Driver and Front passenger airbag, from August 2002
(Without deactivation of the front passenger airbag)**

Airbag control unit, coil spring contact in steering wheel, front airbag igniter, dash panel insert

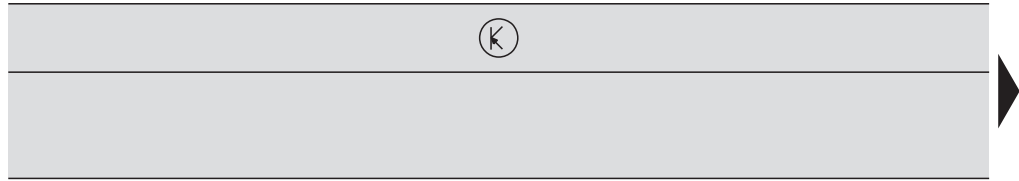


- F138 - Airbag coil connector
- J234 - Airbag control unit
- J285 - Control unit in dash panel insert
- K - Dash panel insert
- K75 - Airbag warning lamp
- N95 - Airbag igniter (driver side)
- N131 - Airbag igniter (passenger side)
- T2t - 2-pin connector, at airbag unit, driver side
- T2u - 2-pin connector, at airbag unit passenger side
- T3o - Connector, 3-pin, behind dash panel on right
- T5f - 5-pin connector, at airbag coil connector in steering wheel
- T5g - 5-pin connector, in steering wheel
- T32a - 32-pin connector, at dash panel insert
- T75a - 75-pin connector, at airbag control unit

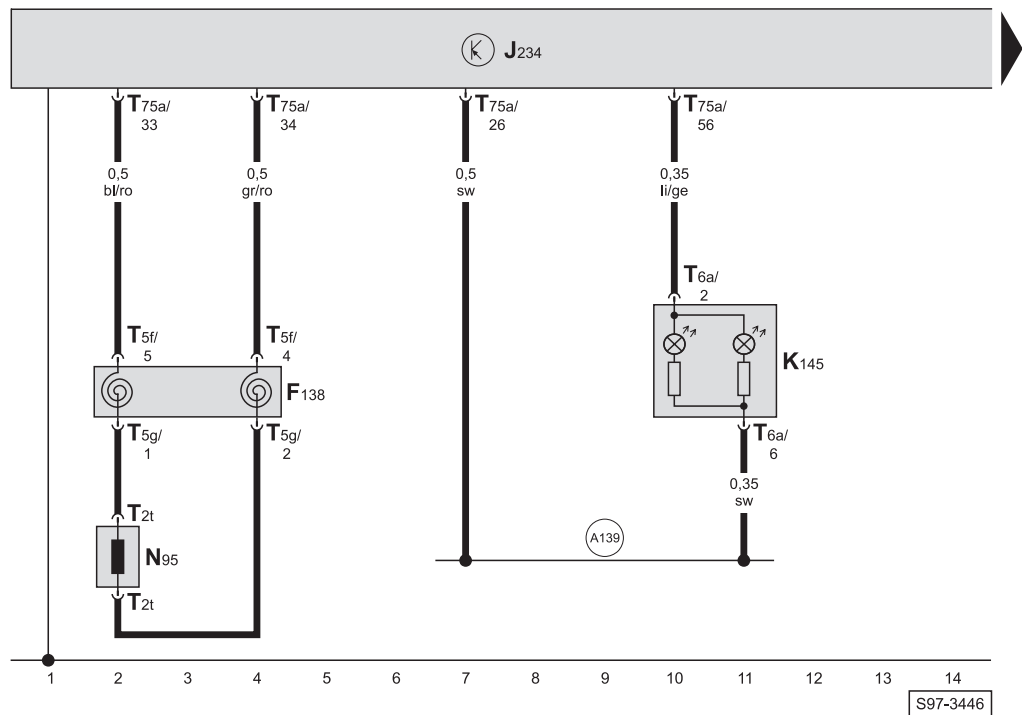
- (A121) - Connection (CAN-H), in wiring loom behind dash panel on
- (A122) - Connection (CAN-L), in wiring loom behind dash panel
- (A139) - Positive connection (15), in wiring loom behind dash panel
- - Passenger airbag

**Driver and Front passenger airbag, from August 2002
(With deactivation of the front passenger airbag)**

Airbag control unit, Steering wheel coil connector, Driver side airbag igniter, Front passenger side airbag deactivated warning lamp



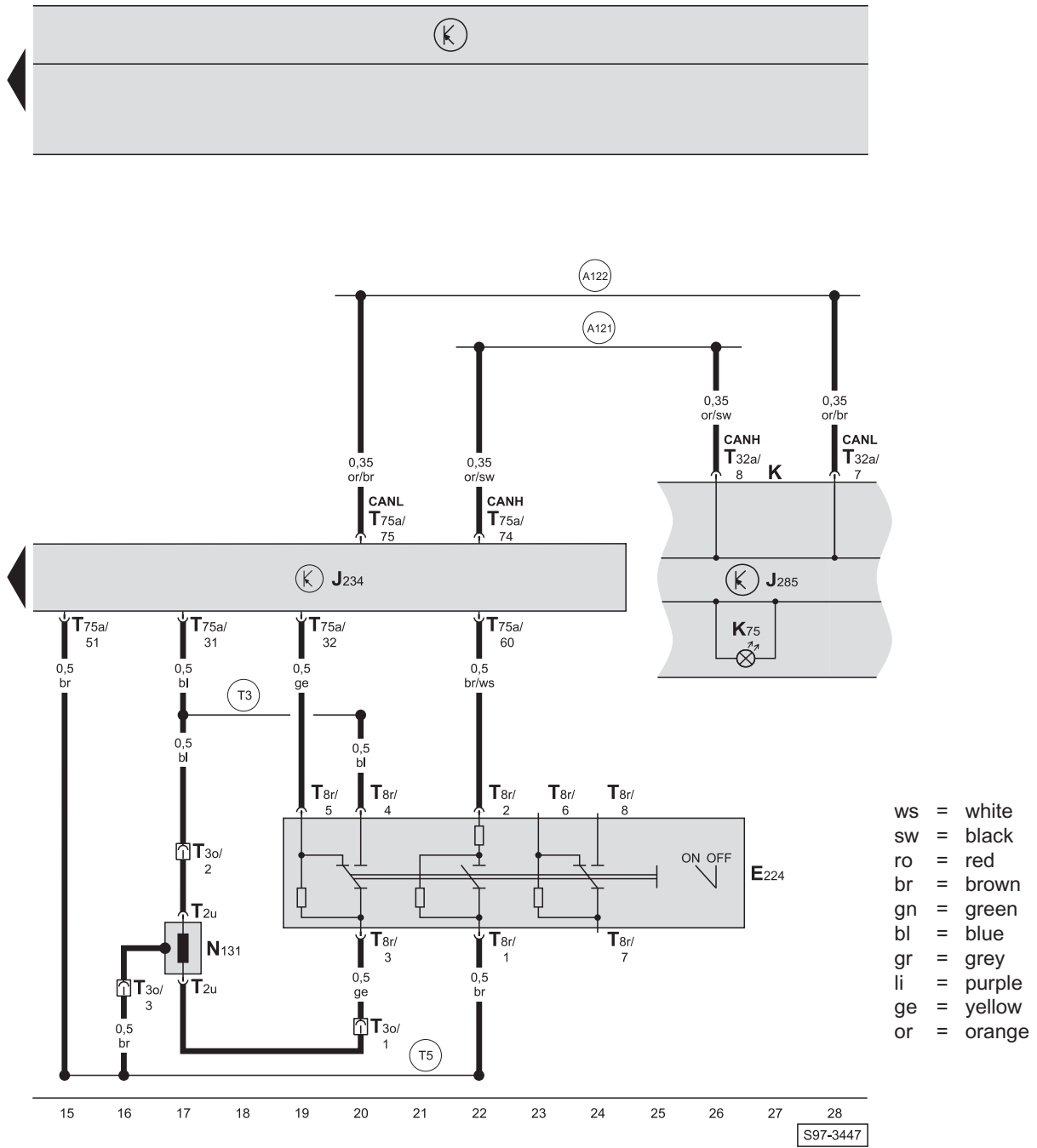
- ws = white
- sw = black
- ro = red
- br = brown
- gn = green
- bl = blue
- gr = grey
- li = purple
- ge = yellow
- or = orange



- F138 - Airbag coil connector
- J234 - Airbag control unit
- K145 - Front passenger side airbag deactivated warning lamp
- N95 - Airbag igniter (driver side)
- T2t - 2-pin connector, at airbag unit, driver side
- T5f - 5-pin connector, at airbag coil connector in steering wheel
- T5g - 5-pin connector, in steering wheel
- T6a - 6-pin connector at the driver side airbag deactivated warning lamp
- T75a - 75-pin connector, at airbag control unit

(A139) - Positive connection (15), in wiring loom behind dash panel

Airbag control unit, Front passenger side airbag igniter, Front passenger side airbag deactivation key switch, Dash panel insert

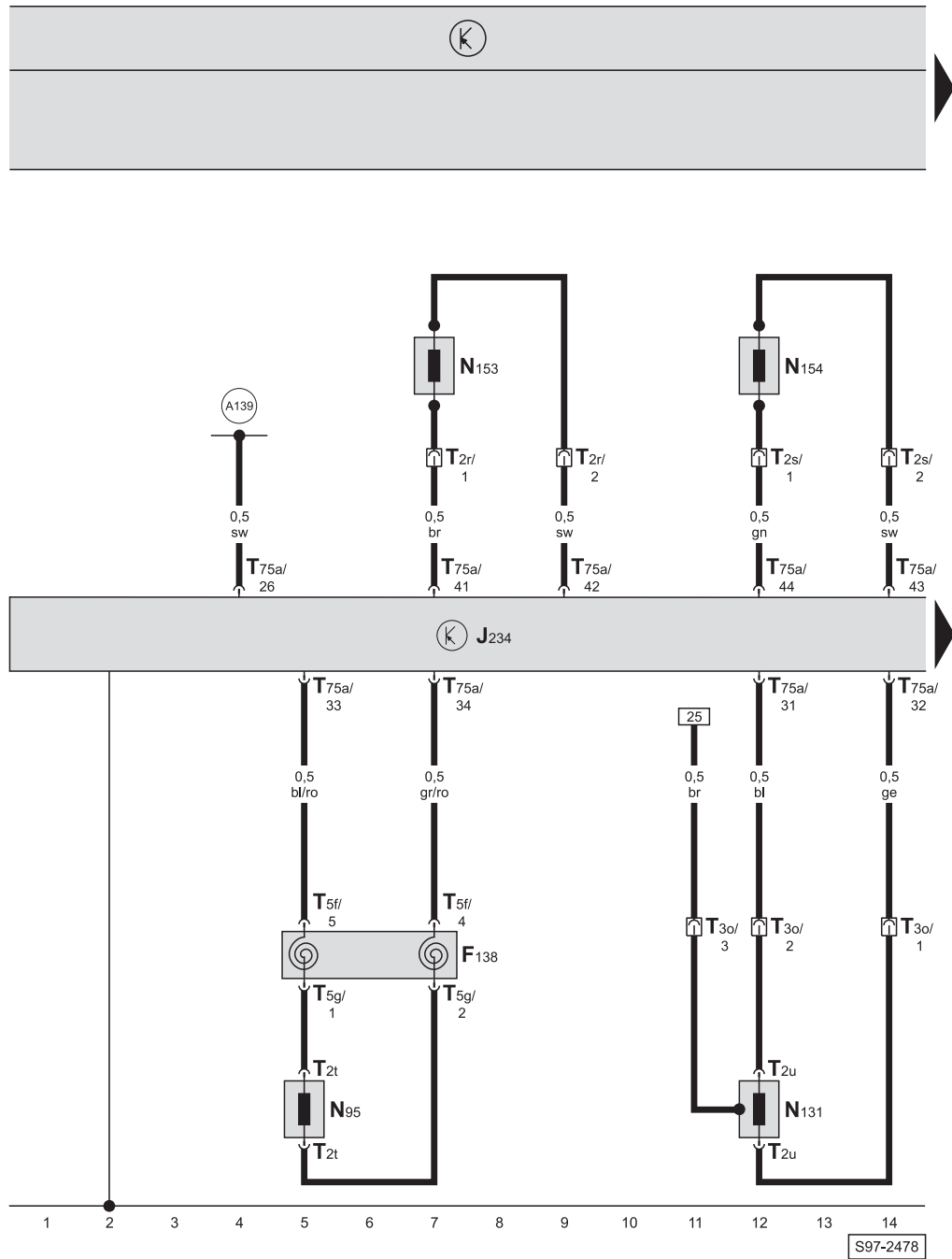


- E224 - Airbag disabling key switch, front passenger side, in glove box
- J234 - Airbag control unit
- J285 - Control unit in dash panel insert
- K - Dash panel insert
- K75 - Airbag warning lamp
- N131 - Airbag igniter (passenger side)
- T2u - 2-pin connector, at airbag unit passenger side
- T30 - Connector, 3-pin, behind dash panel on right
- T8r - 8-pin connector at driver side airbag deactivation key switch
- T32a - 32-pin connector, at dash panel insert
- T75a - 75-pin connector, at airbag control unit

- (A121) - Connection (CAN-H), in wiring loom behind dash panel on
- (A122) - Connection (CAN-L), in wiring loom behind dash panel
- (T3) - Connection (airbag), in wiring loom behind dash panel
- (T5) - Connection -2- (airbag), in wiring loom behind dash panel

**Side airbag, from August 2002
(Without deactivation of the front passenger airbag)**

Airbag control unit, coil spring contact in steering wheel, front airbag igniter, belt tensioner igniter

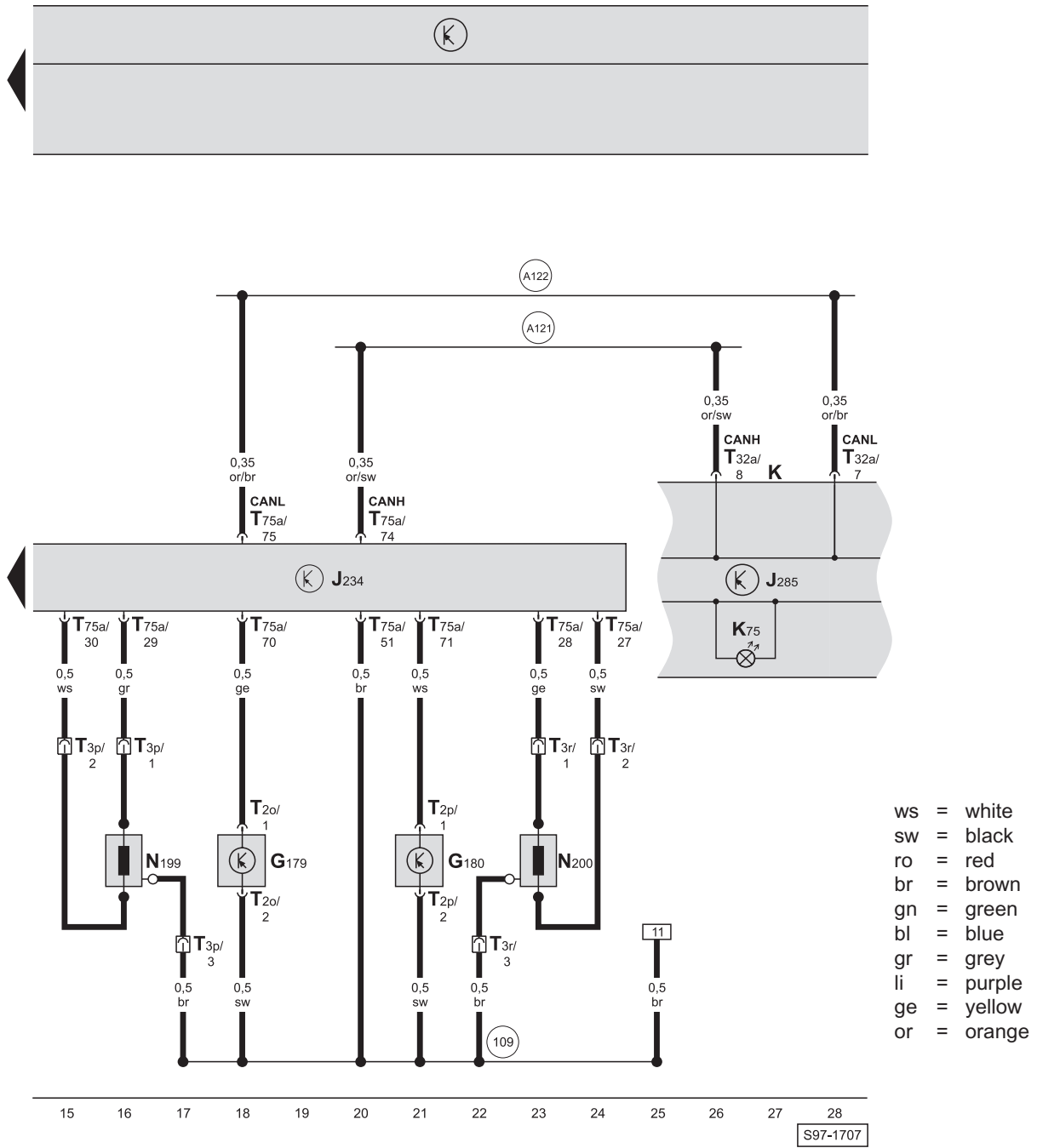


- ws = white
- sw = black
- ro = red
- br = brown
- gn = green
- bl = blue
- gr = grey
- li = purple
- ge = yellow
- or = orange

- F138 - Airbag coil connector
- J234 - Airbag control unit
- N95 - Airbag igniter (driver side)
- N131 - Airbag igniter (passenger side)
- N153 - Belt tensioner igniter - driver side
- N154 - Belt tensioner igniter - passenger side
- T2r - 2-pin connector at belt tensioner igniter, driver side
- T2s - 2-pin connector at belt tensioner igniter, front passenger side
- T2t - 2-pin connector, at airbag unit, driver side
- T2u - 2-pin connector, at airbag unit passenger side
- T3o - Connector, 3-pin, behind dash panel on right
- T5f - 5-pin connector, at airbag coil connector in steering wheel
- T5g - 5-pin connector, in steering wheel
- T75a - 75-pin connector, at airbag control unit

(A139) - Positive connection (15), in wiring loom behind dash panel

Airbag control unit, side airbag igniter, side airbag crash sensor, dash panel insert

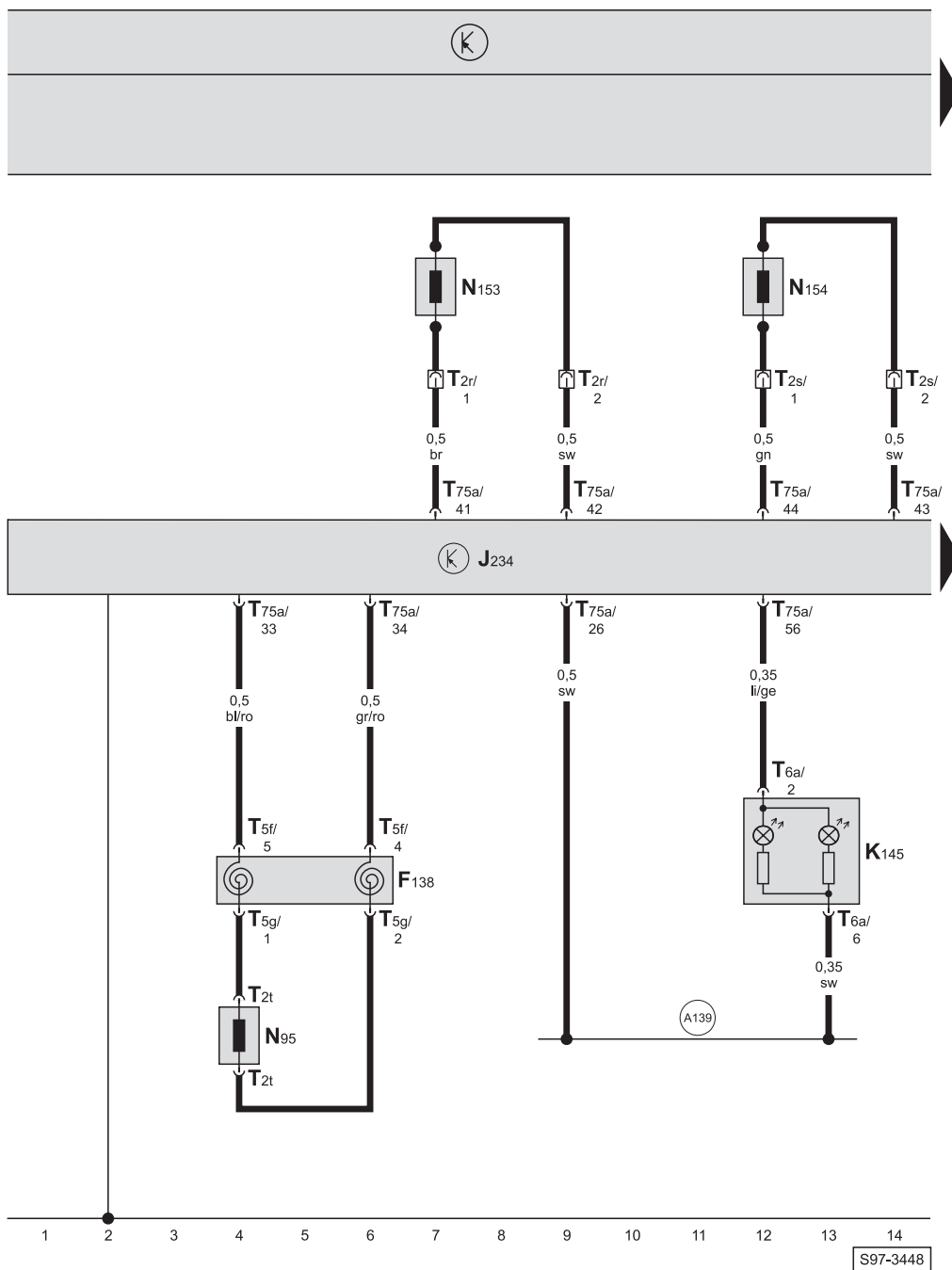


- ws = white
- sw = black
- ro = red
- br = brown
- gn = green
- bl = blue
- gr = grey
- li = purple
- ge = yellow
- or = orange

- G179 - Crash sensor for side airbag, driver side
- G180 - Crash sensor for side airbag, passenger side
- J234 - Airbag control unit
- J285 - Control unit in dash panel insert
- K - Dash panel insert
- K75 - Airbag warning lamp
- N199 - Side airbag igniter, driver side
- N200 - Side airbag igniter, passenger side
- T2o - 2-pin connector, at crash sensor for side airbag, driver side
- T2p - 2-pin connector, at side airbag crash sensor, passenger side
- T3p - 3-pin connector, below driver seat
- T3r - 3-pin connector, below passenger seat
- T32a - 32-pin connector, at dash panel insert
- T75a - 75-pin connector, at airbag control unit
- (109) - Earth connection (side airbag), in wiring loom behind dash panel
- (A121) - Connection (CAN-H), in wiring loom behind dash panel on
- (A122) - Connection (CAN-L), in wiring loom behind dash panel

**Side airbag, from August 2002
(With deactivation of the front passenger airbag)**

Airbag control unit, Steering wheel coil connector, Driver side airbag igniter, Belt tensioner igniter, Front passenger side airbag deactivated warning lamp

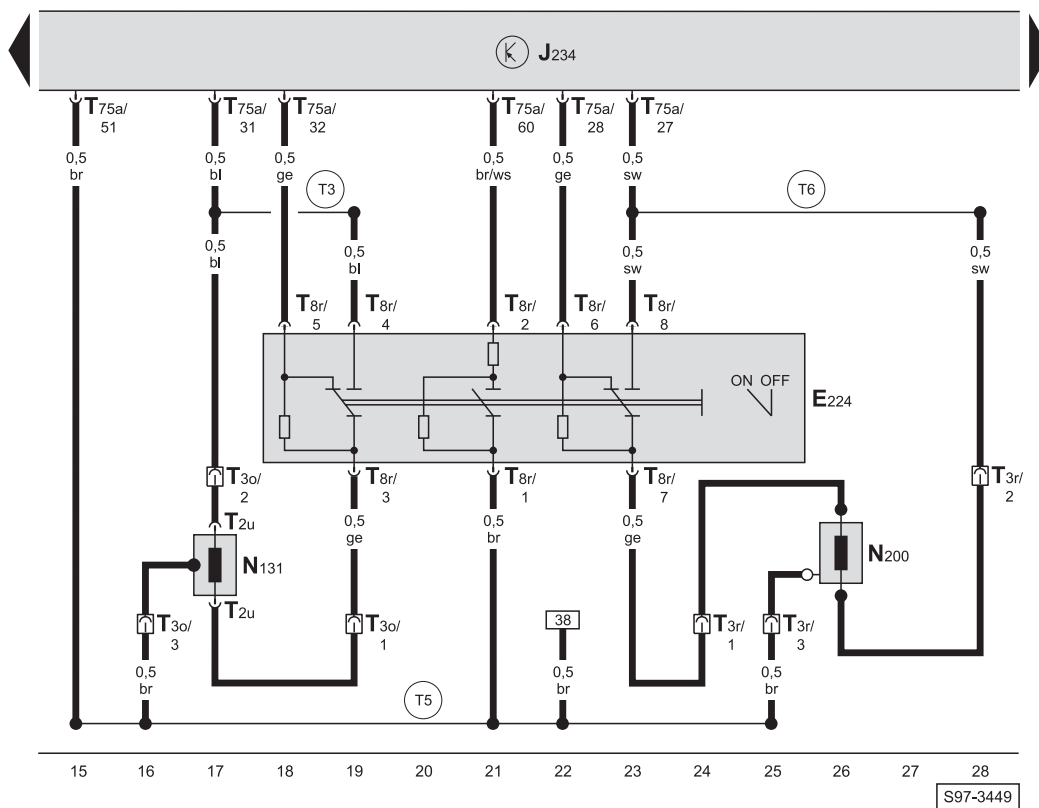
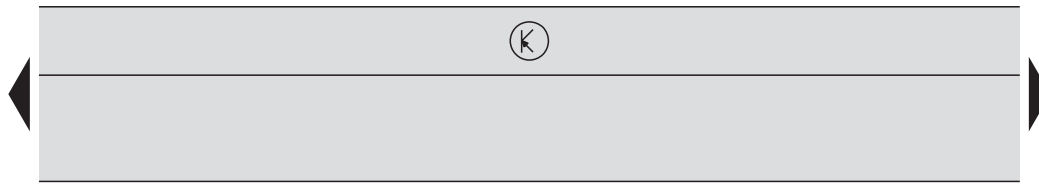


- ws = white
- sw = black
- ro = red
- br = brown
- gn = green
- bl = blue
- gr = grey
- li = purple
- ge = yellow
- or = orange

- F138 - Airbag coil connector
- J234 - Airbag control unit
- K145 - Front passenger side airbag deactivated warning lamp
- N95 - Airbag igniter (driver side)
- N153 - Belt tensioner igniter - driver side
- N154 - Belt tensioner igniter - passenger side
- T2r - 2-pin connector at belt tensioner igniter, driver side
- T2s - 2-pin connector at belt tensioner igniter, front passenger side
- T2t - 2-pin connector, at airbag unit, driver side
- T5f - 5-pin connector, at airbag coil connector in steering wheel
- T5g - 5-pin connector, in steering wheel
- T6a - 6-pin connector at the driver side airbag deactivated warning lamp
- T75a - 75-pin connector, at airbag control unit

(A139) - Positive connection (15), in wiring loom behind dash panel

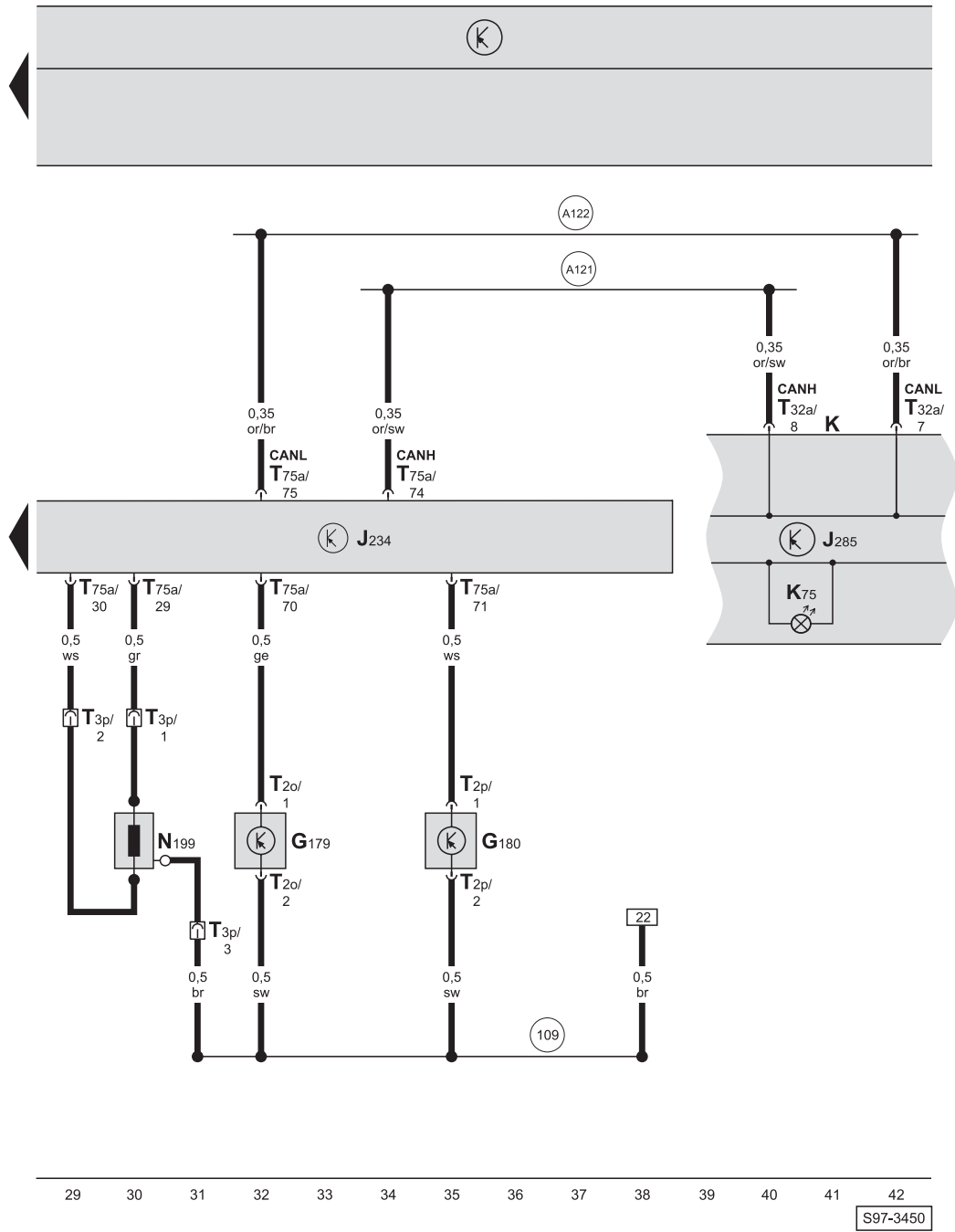
Airbag control unit, Front passenger side airbag igniter, Front passenger side - side airbag, Front passenger side airbag deactivation key switch



- E224 - Front passenger side airbag deactivation key switch, in glove box
- J234 - Airbag control unit
- N131 - Airbag igniter (passenger side)
- N200 - Side airbag igniter, passenger side
- T3o - Connector, 3-pin, behind dash panel on right
- T3r - 3-pin connector, below passenger seat
- T8r - 8-pin connector at driver side airbag deactivation key switch
- T75a - 75-pin connector, at airbag control unit

- T3 - Connection (airbag), in wiring loom behind dash panel
- T5 - Connection -2- (airbag), in wiring loom behind dash panel
- T6 - Connection (side airbag), in wiring loom behind dash panel

Airbag control unit, Front passenger side - side airbag igniter, Side airbag crash sensor, Dash panel insert



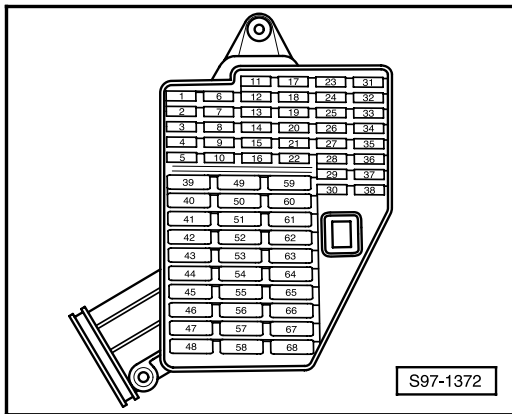
- ws = white
- sw = black
- ro = red
- br = brown
- gn = green
- bl = blue
- gr = grey
- li = purple
- ge = yellow
- or = orange

- G179 - Crash sensor for side airbag, driver side
- G180 - Crash sensor for side airbag, passenger side
- J234 - Airbag control unit
- J285 - Control unit in dash panel insert
- K - Dash panel insert
- K75 - Airbag warning lamp
- N199 - Side airbag igniter, driver side
- T2o - 2-pin connector, at crash sensor for side airbag, driver side
- T2p - 2-pin connector, at side airbag crash sensor, passenger side
- T3p - 3-pin connector, below driver seat
- T32a - 32-pin connector, at dash panel insert
- T75a - 75-pin connector, at airbag control unit

- 109 - Earth connection (side airbag), in wiring loom behind dash panel
- A121 - Connection (CAN-H), in wiring loom behind dash panel on
- A122 - Connection (CAN-L), in wiring loom behind dash panel

Automatic gearbox, from August 2002

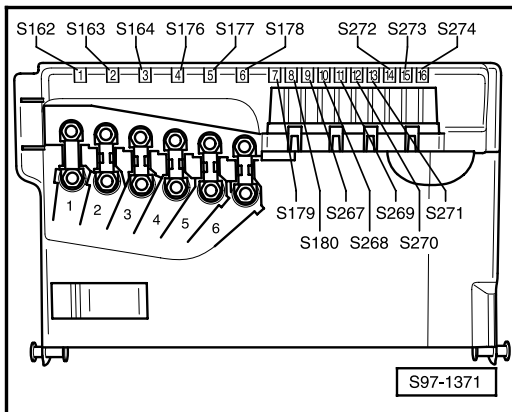
Fuse holder:



Fuse colours

- 30A - green
- 25A - white
- 20A - yellow
- 15A - blue
- 10A - red
- 7.5A - brown
- 5A - beige

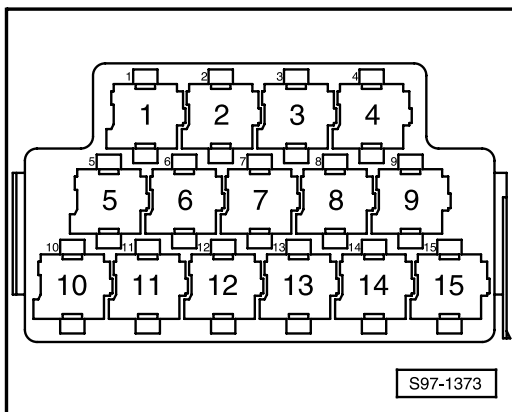
Fuse holder on battery:



Fuse colours

- 30A - green
- 25A - white
- 20A - yellow
- 15A - blue
- 10A - red
- 7.5A - brown
- 5A - beige

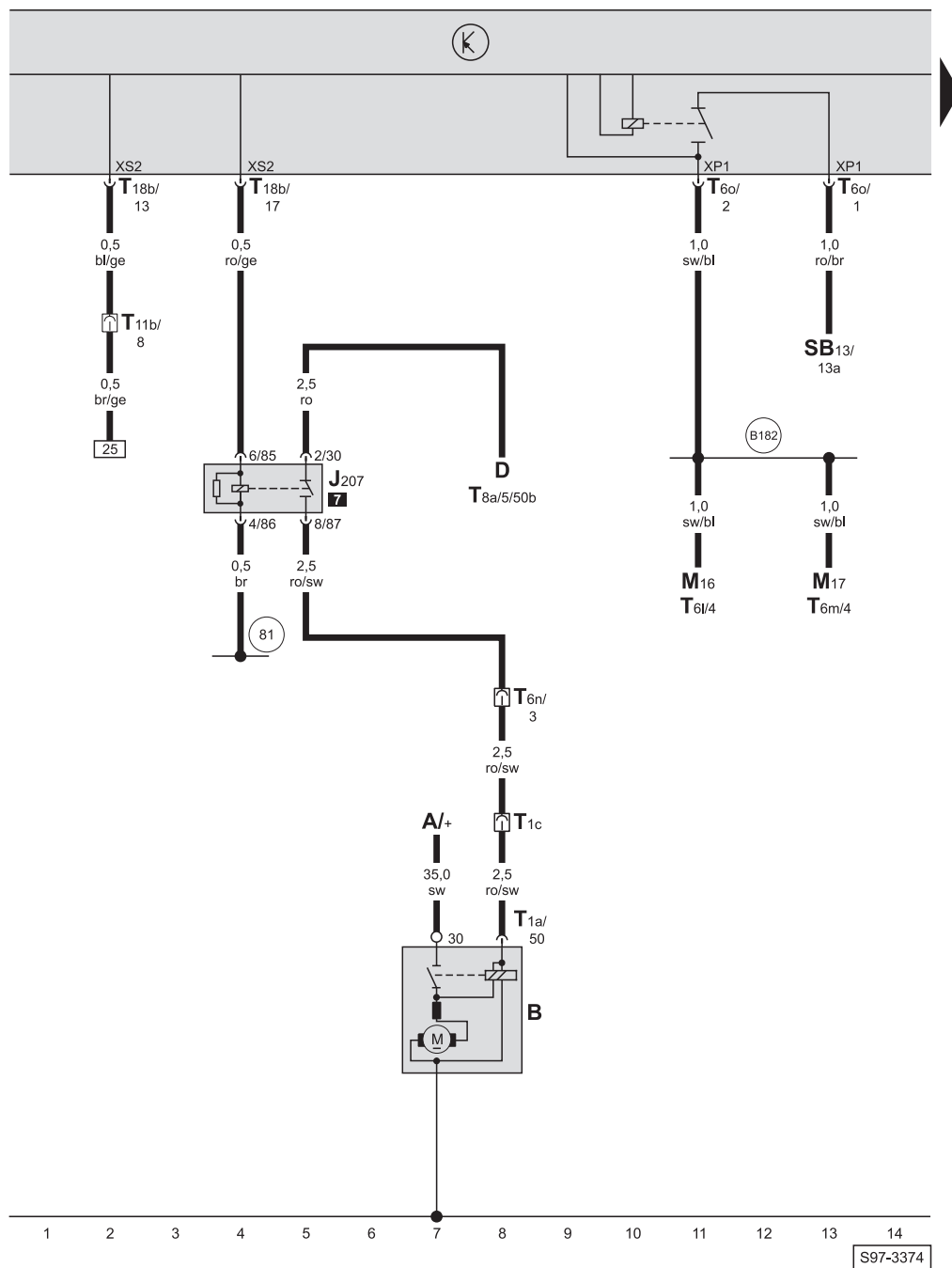
Relay holder:



Relay position assignment

- 7** - Starter lockout relay

Starter, starter lockout relay

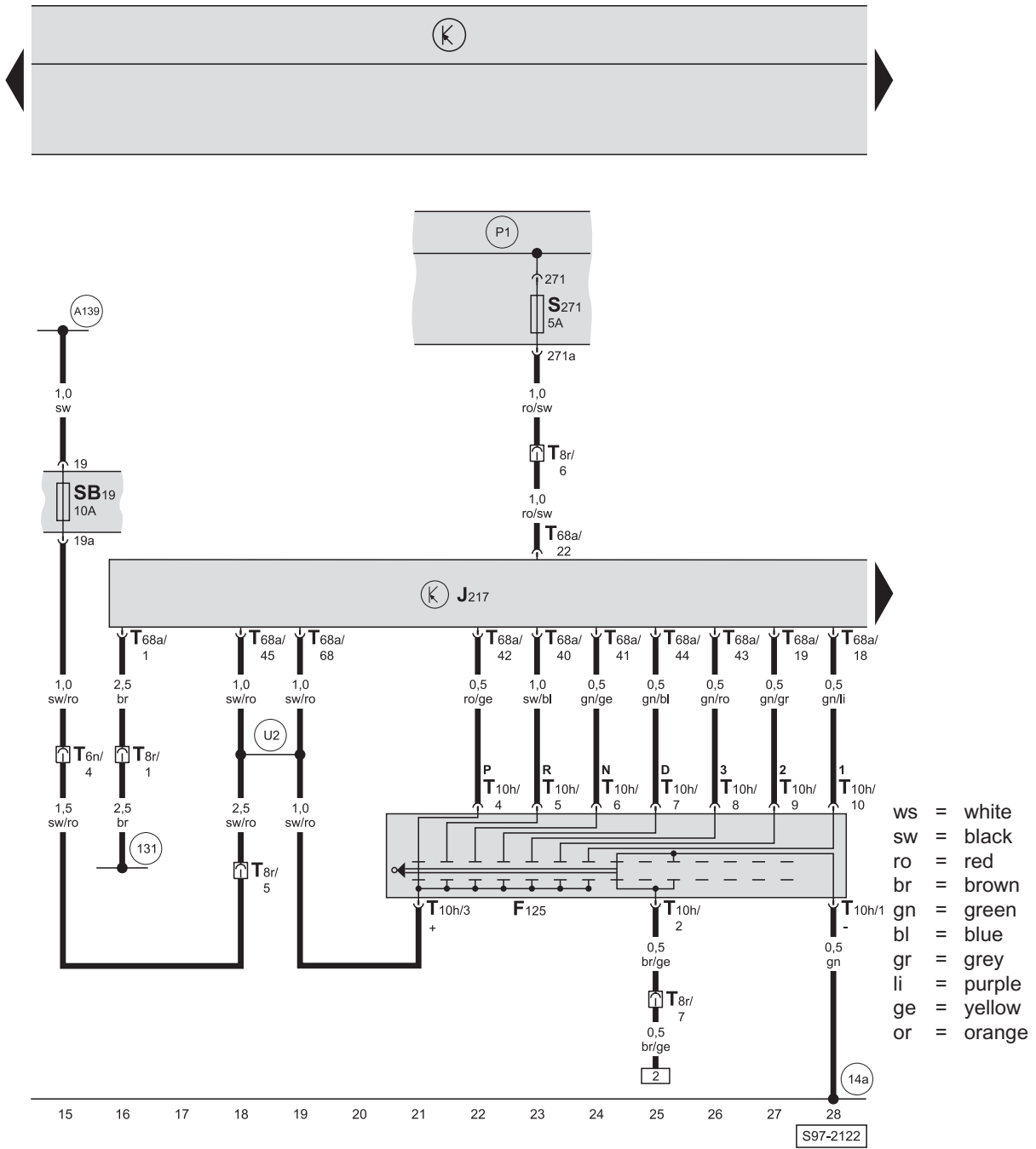


- ws = white
- sw = black
- ro = red
- br = brown
- gn = green
- bl = blue
- gr = grey
- li = purple
- ge = yellow
- or = orange

- A - Battery
- B - Starter
- D - Ignition/starter switch
- J207 - Starter lockout relay
- M16 - Reversing light bulb left
- M17 - Reversing light bulb right
- SB13 - Fuse, in fuse holder
- T1a - 1-pin connector, at starter
- T1c - Connector, 1-pin, for starter, in bracket at gearbox
- T6l - 6-pin connector, at left tail light
- T6m - 6-pin connector, at right tail light
- T6n - 6-pin connector, at left of bulkhead (blue)
- T6o - 6-pin connector, at electrical system control unit (black)
- T8a - 8-pin connector, at ignition/starter switch
- T11b - 11-pin connector, at left of bulkhead (red)
- T18b - 18-pin connector, at electrical system control unit (black)

- (81) - Earth connection, in wiring harness behind dash panel
- (B182) - Connection (RF), in interior wiring loom

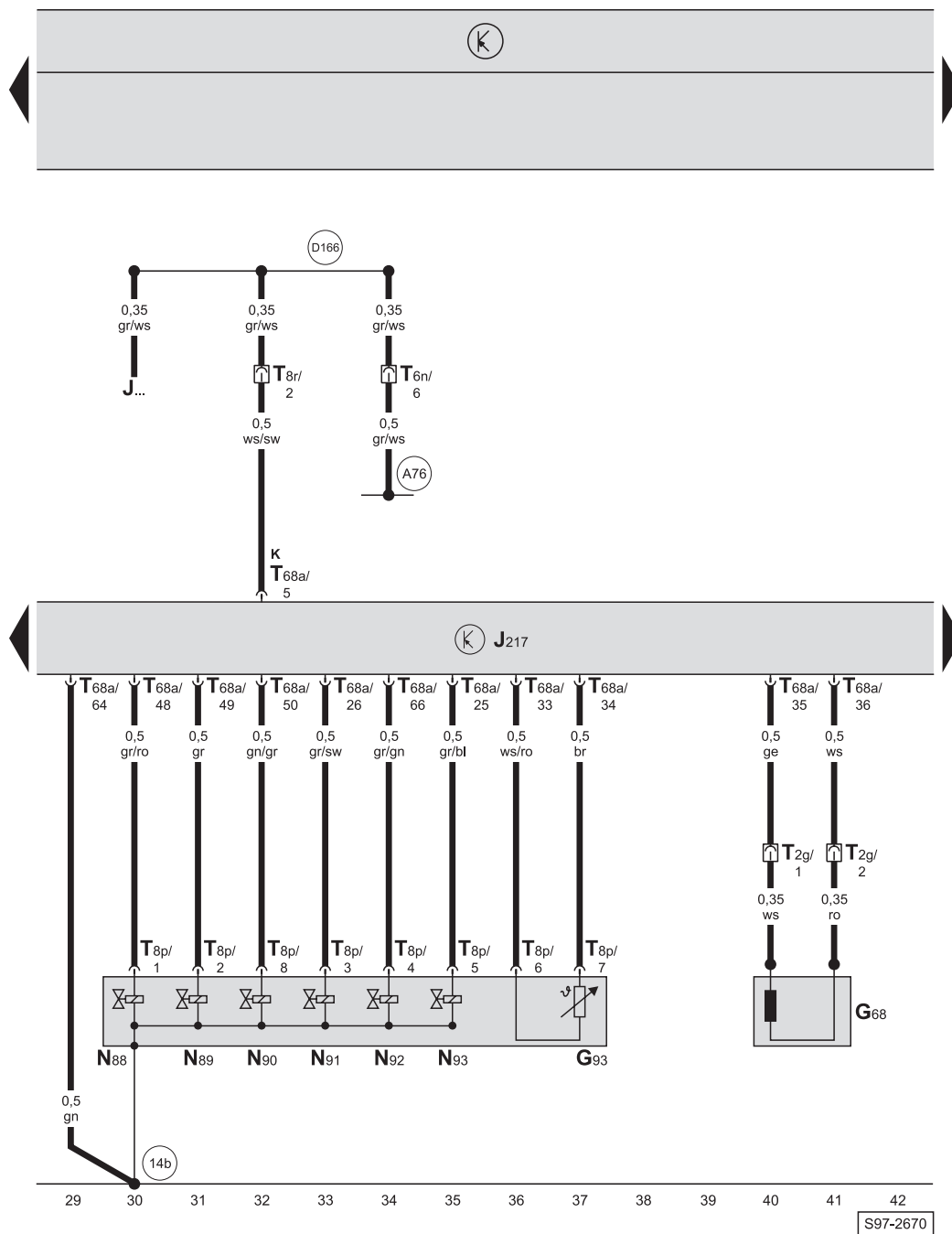
Automatic gearbox control unit, multifunction switch, fuse holder on battery, fuse holder



- F125 - multifunction switch
- J217 - Automatic gearbox control unit
- S271 - Fuse -13- (30), in fuse holder on battery
- T6n - 6-pin connector, at left of bulkhead (blue)
- T8r - Plug connection, 8-pin, at automatic gearbox (connection to wiring loom in engine compartment)
- T10h - Plug connection, 10-pin, at multifunction switch
- T68a - 68-pin connector, at automatic gearbox control unit

- (14a) - Earth point -2-, at gearbox
- (131) - Earth connection -2-, in engine compartment wiring harness
- (A139) - Positive connection (15), in wiring loom behind dash panel
- (P1) - Positive connection (30), in fuse holder on battery
- (U2) - Connection (15), in automatic gearbox wiring loom

Automatic gearbox control unit, vehicle speed sender, gearbox oil temperature sender, solenoid valves



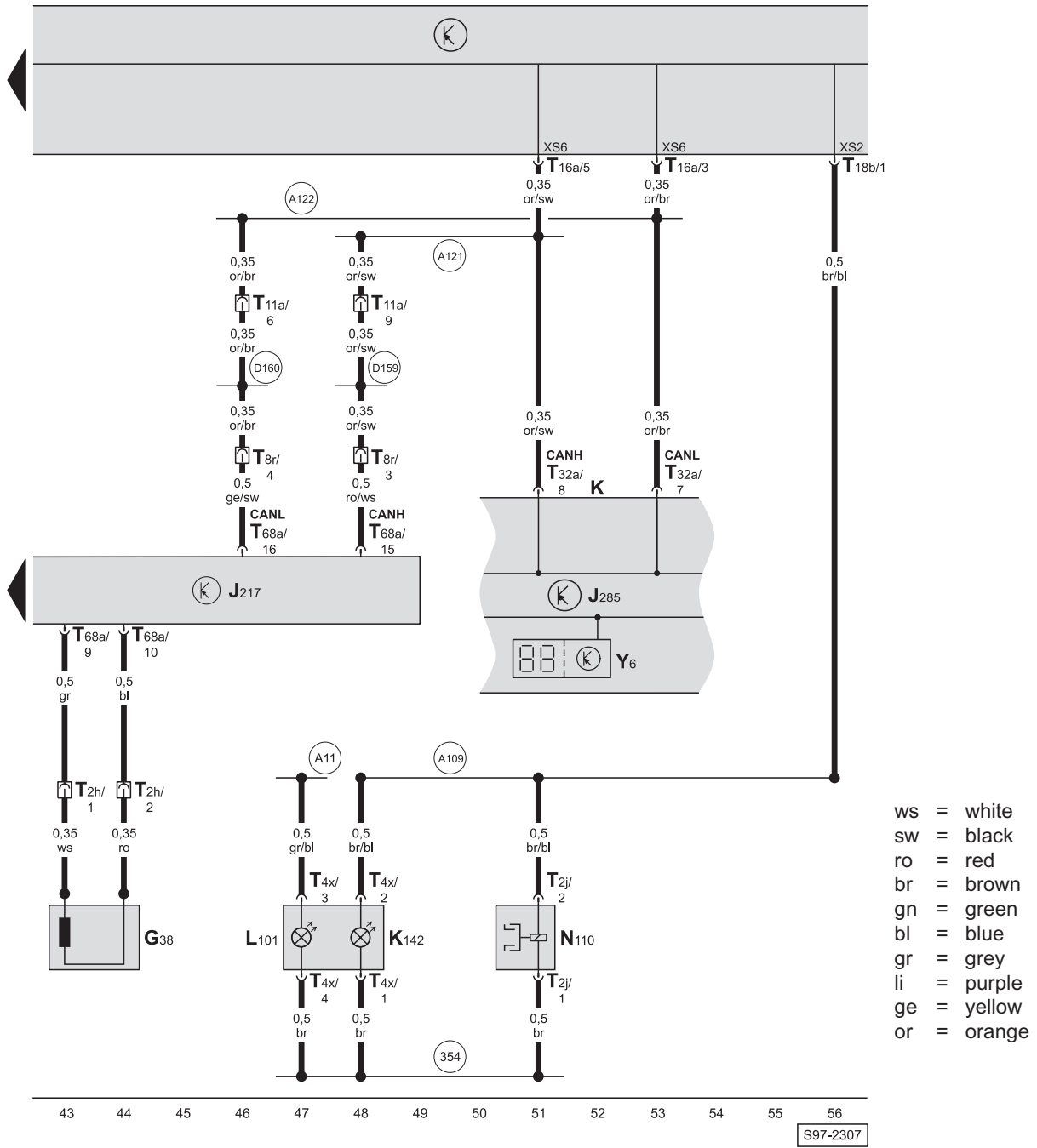
- ws = white
- sw = black
- ro = red
- br = brown
- gn = green
- bl = blue
- gr = grey
- li = purple
- ge = yellow
- or = orange

- G68 - Road speed sender
- G93 - Gearbox oil (ATF) temperature sender
- J... - Engine control unit
- J217 - Automatic gearbox control unit
- N88 - Solenoid valve 1
- N89 - Solenoid valve 2
- N90 - Solenoid valve 3
- N91 - Solenoid valve 4
- N92 - Solenoid valve 5
- N93 - Solenoid valve 6
- T2g - 2-pin connector, at road speed sender
- T6n - 6-pin connector, at left of bulkhead (blue)
- T8p - Plug connection, 8-pin, at automatic gearbox
- T8r - Plug connection, 8-pin, at automatic gearbox (connection to wiring loom in engine compartment)
- T68a - 68-pin connector, at automatic gearbox control unit

- 14b - Massepunkt -3-, am Getriebe
- A76 - Connection (K diagnosis wire), in wiring loom behind dash panel on left
- D166 - Connection (K diagnosis wire), in engine compartment wiring loom

S97-2670

Automatic gearbox control unit, gearbox speed sender, selector lever lock solenoid, dash panel insert



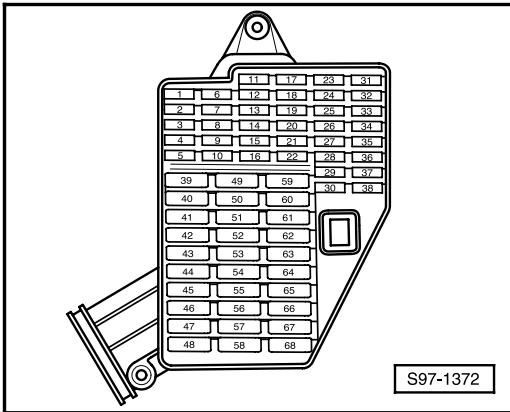
- G38 - Gearbox speed sender
- J217 - Automatic gearbox control unit
- J285 - Control unit in dash panel insert
- K - Dash panel insert
- K142 - Selector lever position P/N indicator light
- L101 - Selector lever scale lighting
- N110 - Selector lever lock solenoid
- T2h - 2-pin connector, at gearbox speed sender
- T2j - 2-pin connector, at selector lever lock solenoid valve
- T4x - Plug connection, 4-pin, at selector lever scale lighting
- T8r - Plug connection, 8-pin, at automatic gearbox (connection to wiring loom in engine compartment)
- T11a - 11-pin connector, at left of bulkhead (white)
- T16a - 16-pin connector, at electrical system control unit (black)
- T18b - 18-pin connector, at electrical system control unit (black)
- T68a - 68-pin connector, at automatic gearbox control unit
- Y6 - Selector lever position indicator

- 354 - Earth connection, in wiring harness behind dash panel
- A11 - Positive connection (58b), in wiring loom behind dash panel
- A109 - Connection (selector lever of automatic gearbox), in wiring loom behind dash panel
- A121 - Connection (CAN-H), in wiring loom behind dash panel on
- A122 - Connection (CAN-L), in wiring loom behind dash panel
- D159 - Connection (CAN-H), in engine compartment wiring loom
- D160 - Connection (CAN-L), in engine compartment wiring loom

Central locking

Door warning lights from August 2002

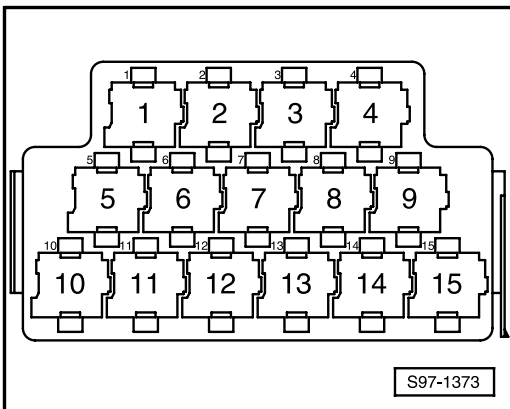
Fuse holder:



Fuse colours

- 30A - green
- 25A - white
- 20A - yellow
- 15A - blue
- 10A - red
- 7.5A - brown
- 5A - beige

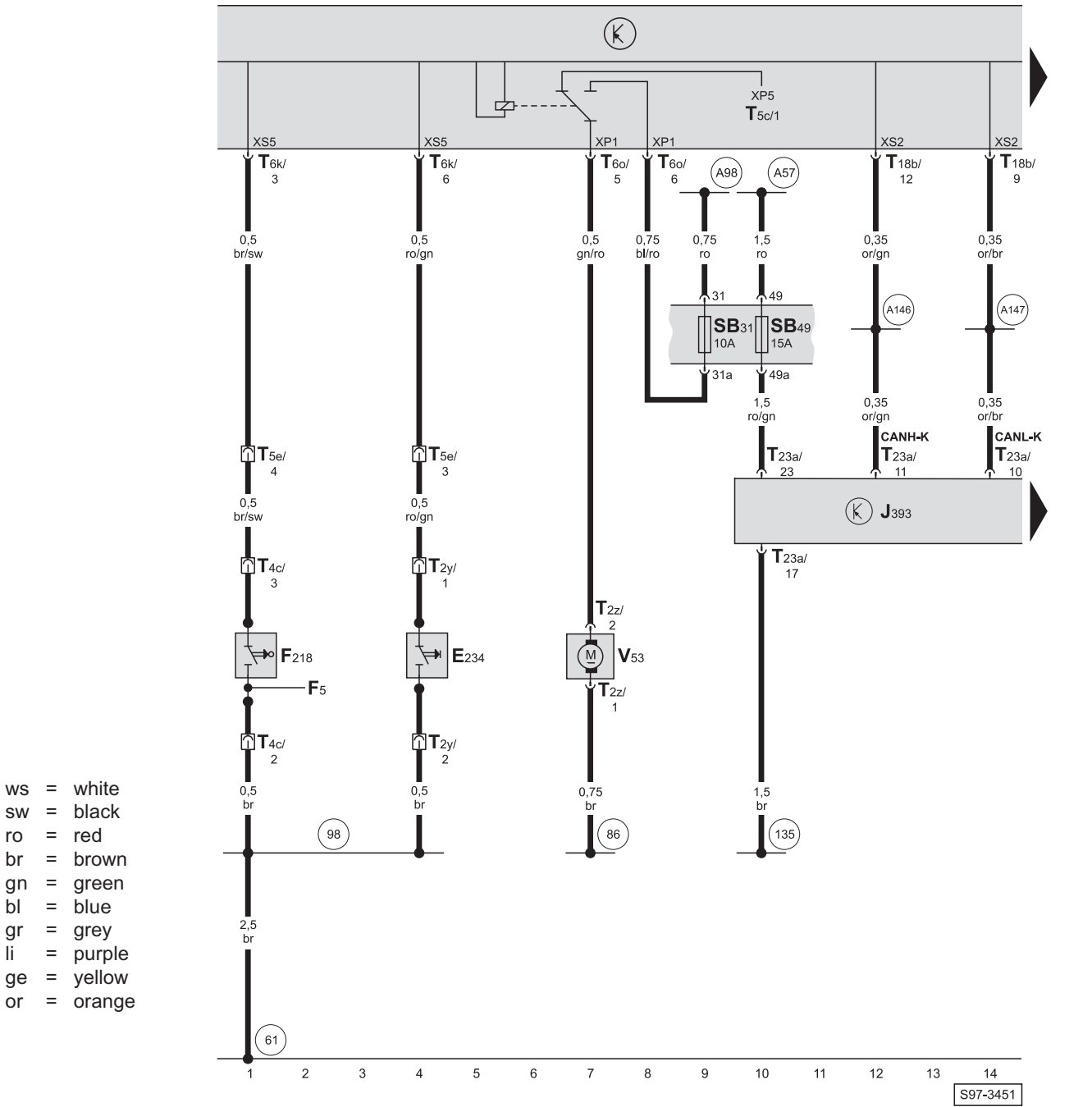
Relay holder:



Relay position assignment

- 5** - Door warning lights relay

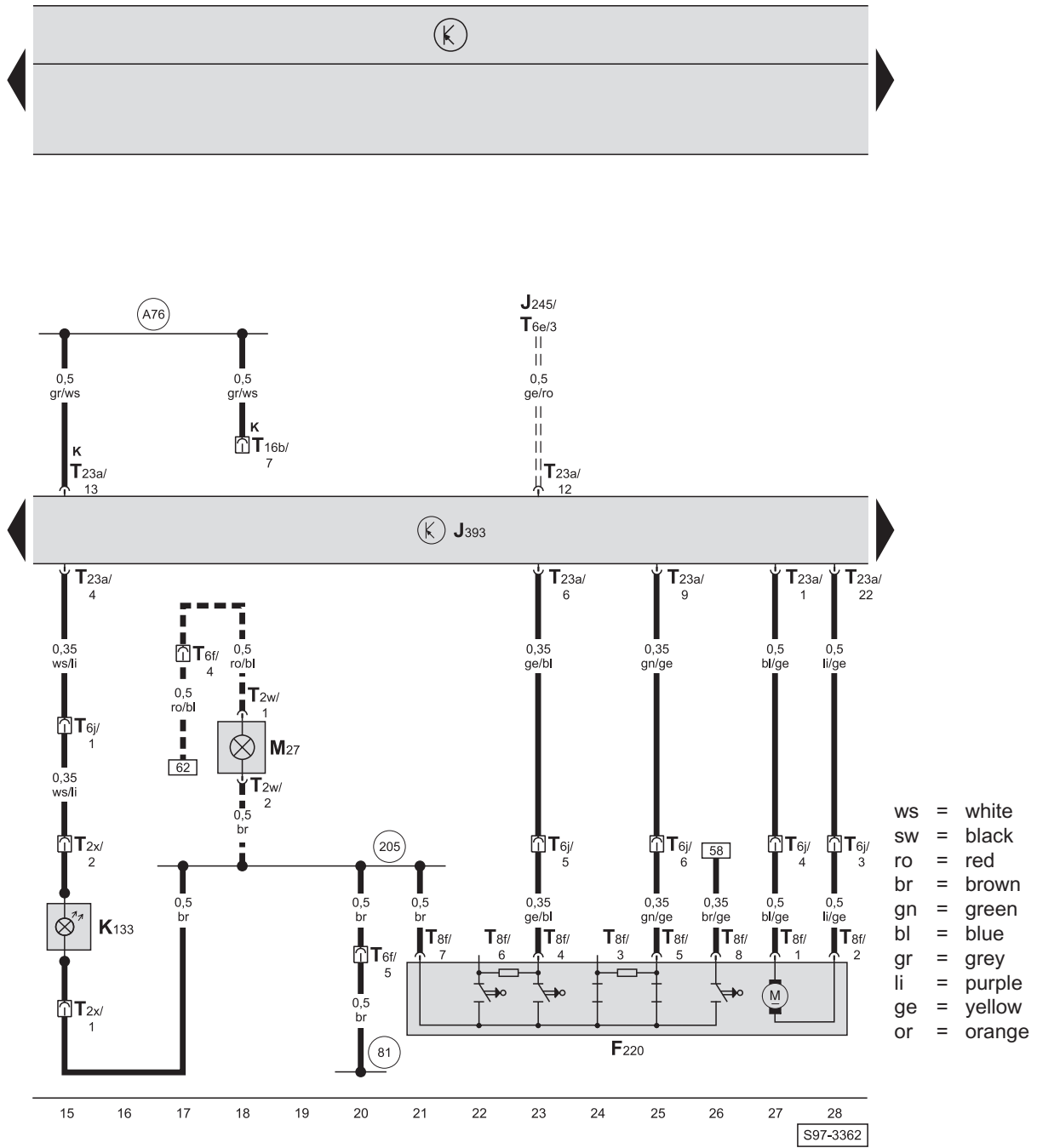
Convenience electrics central control unit, tailgate handle release button, central locking switch, tailgate central locking motor, fuse holder



- E234 - Tailgate handle release button
- F5 - Luggage compartment light switch
- S218 - Central locking switch, in tailgate lock
- J393 - Convenience electrics central control unit
- T2y - Connector, 2-pin, at tailgate handle release button
- T2z - 2-pin connector, at tailgate/boot lid central locking motor
- T4c - 4-pin connector, at boot/tailgate lock
- T5c - 5-pin connector, at electrical system control unit (brown)
- T5e - 5-pin connector, at left C pillar (black)
- T6k - 6-pin connector, at electrical system control unit (red)
- T6o - 6-pin connector, at electrical system control unit (black)
- T18b - 18-pin connector, at electrical system control unit (black)

- T23a - 23-pin connector, at convenience electrics central control unit
- V53 - Tailgate/boot lid central locking motor
- 61 - Earth point, C-pillar left
- 86 - Earth connection -1-, in rear interior wiring loom
- 98 - Earth connection, in engine compartment wiring harness
- 135 - Earth connection, in wiring harness behind dash panel
- A57 - Positive connection (30a), in wiring loom behind dash panel
- A98 - Positive connection (30a), in wiring loom behind dash panel (applies only to models with telephone system)
- A146 - Connection (CAN-H, convenience), in wiring loom behind dash panel
- A147 - Connection (CAN-L, convenience), in wiring loom behind dash panel

Convenience electrics central control unit, central locking locking unit - driver side, central locking warning light, left door warning light

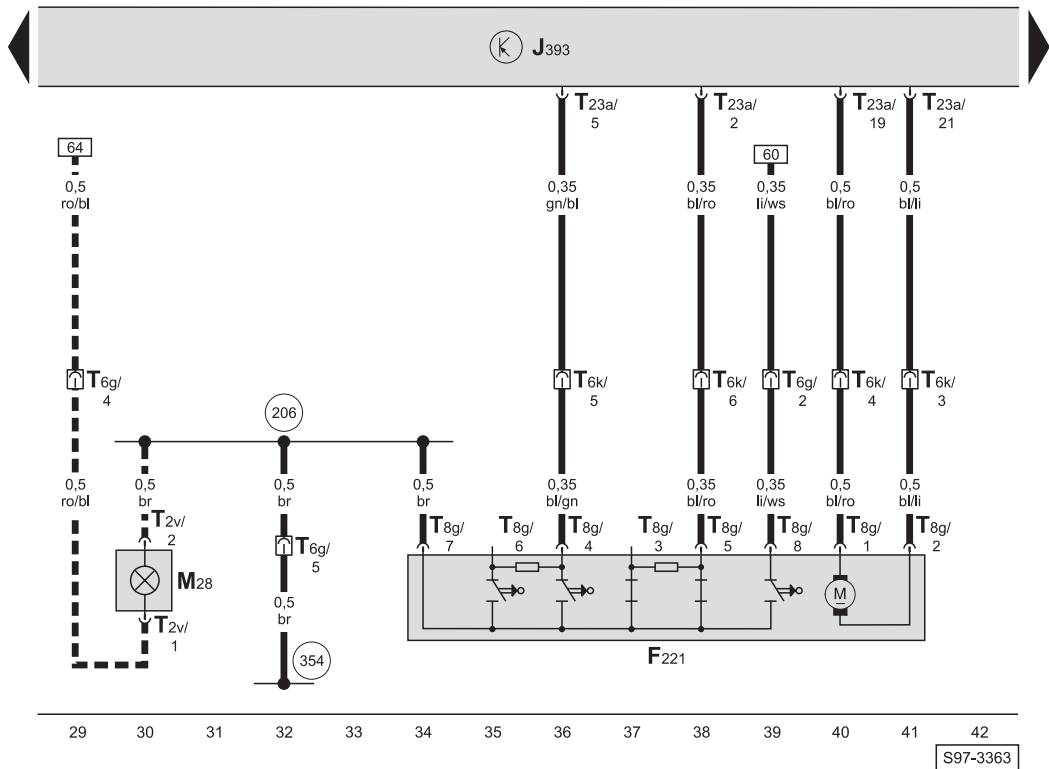
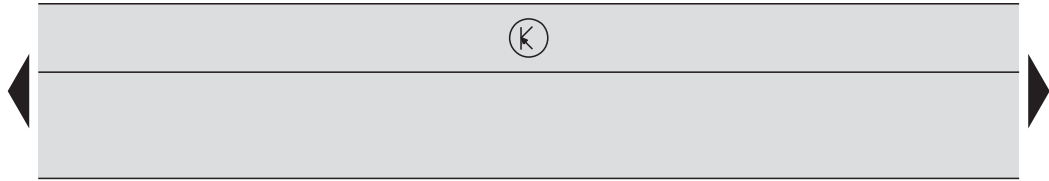


- F220 - Central locking lock unit, driver side (switch position - released, door closed)
- J245 - Sliding roof adjustment control unit
- J393 - Convenience electrics central control unit
- K133 - Central locking warning lamp
- M27 - Left door warning light
- T2w - Connector, 2-pin, at left door warning light
- T2x - 2-pin connector, at central locking warning lamp
- T6e - 6-pin connector, at sliding roof adjustment control unit
- T6f - 6-pin connector, at left A pillar (brown)
- T6j - Connector, 6-pin, at left A pillar (white)
- T8f - 8-pin connector, at central locking locking unit, driver side
- T16b - 16-pin connector, in glove box on driver's side (diagnosis connection)
- T23a - 23-pin connector, at convenience electrics central control unit

- 81 - Earth connection, in wiring harness behind dash panel
- 205 - Earth connection, in wiring harness of door assembly wiring driver side
- A76 - Connection (K diagnosis wire), in wiring loom behind dash panel on left

=== - Applies only to models with electric sliding roof
 ■■■ - Applies only to models with door warning lights

Convenience electrics central control unit, central locking locking unit - passenger side, right door warning light

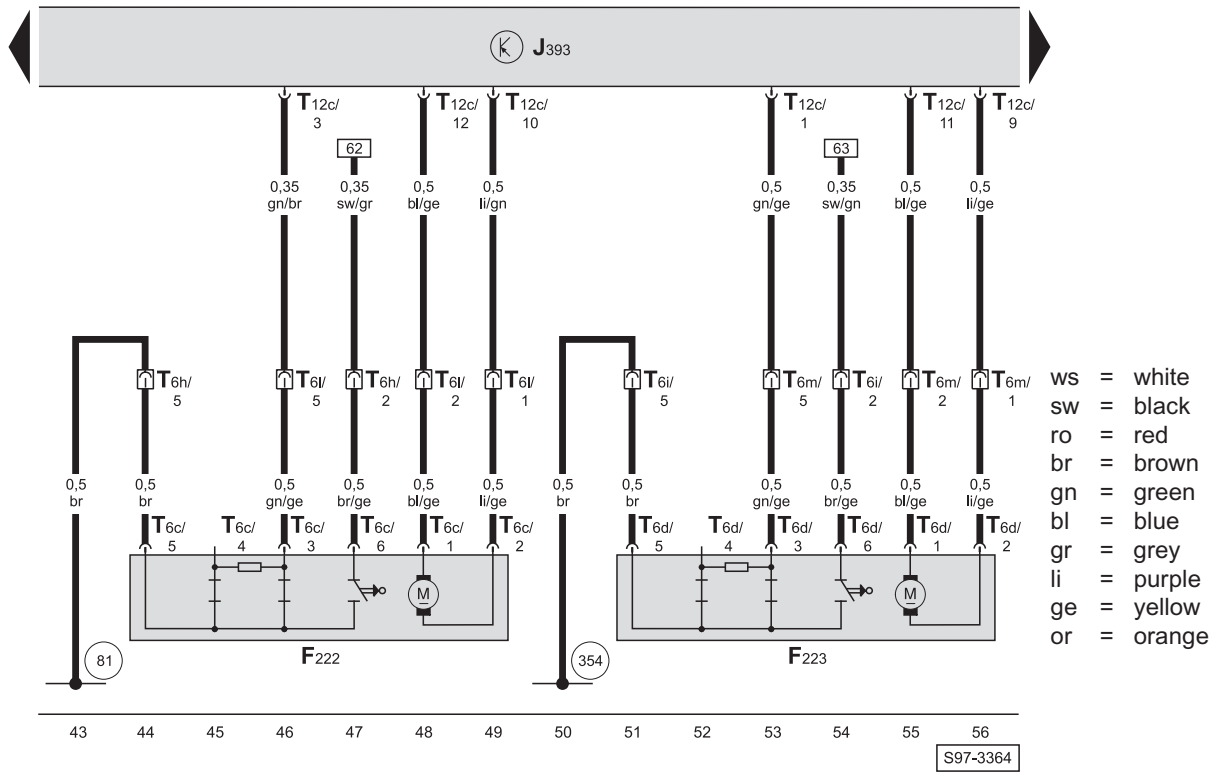
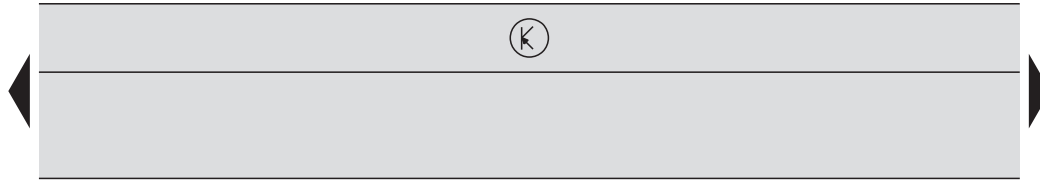


- F221 - Central locking lock unit, front passenger side (switch position - released, door closed)
- J393 - Convenience electrics central control unit
- M28 - Right door warning light
- T2v - Connector, 2-pin, at right door warning light
- T6g - 6-pin connector, at right A pillar (brown)
- T6k - Connector, 6-pin, at right A pillar (white)
- T8g - 8-pin connector, at central locking locking unit, passenger side
- T23a - 23-pin connector, at convenience electrics central control unit

- (206) - Earth connection, in door wiring loom - passenger side
- (354) - Earth connection, in wiring harness behind dash panel

■■■ - Applies only to models with door warning lights

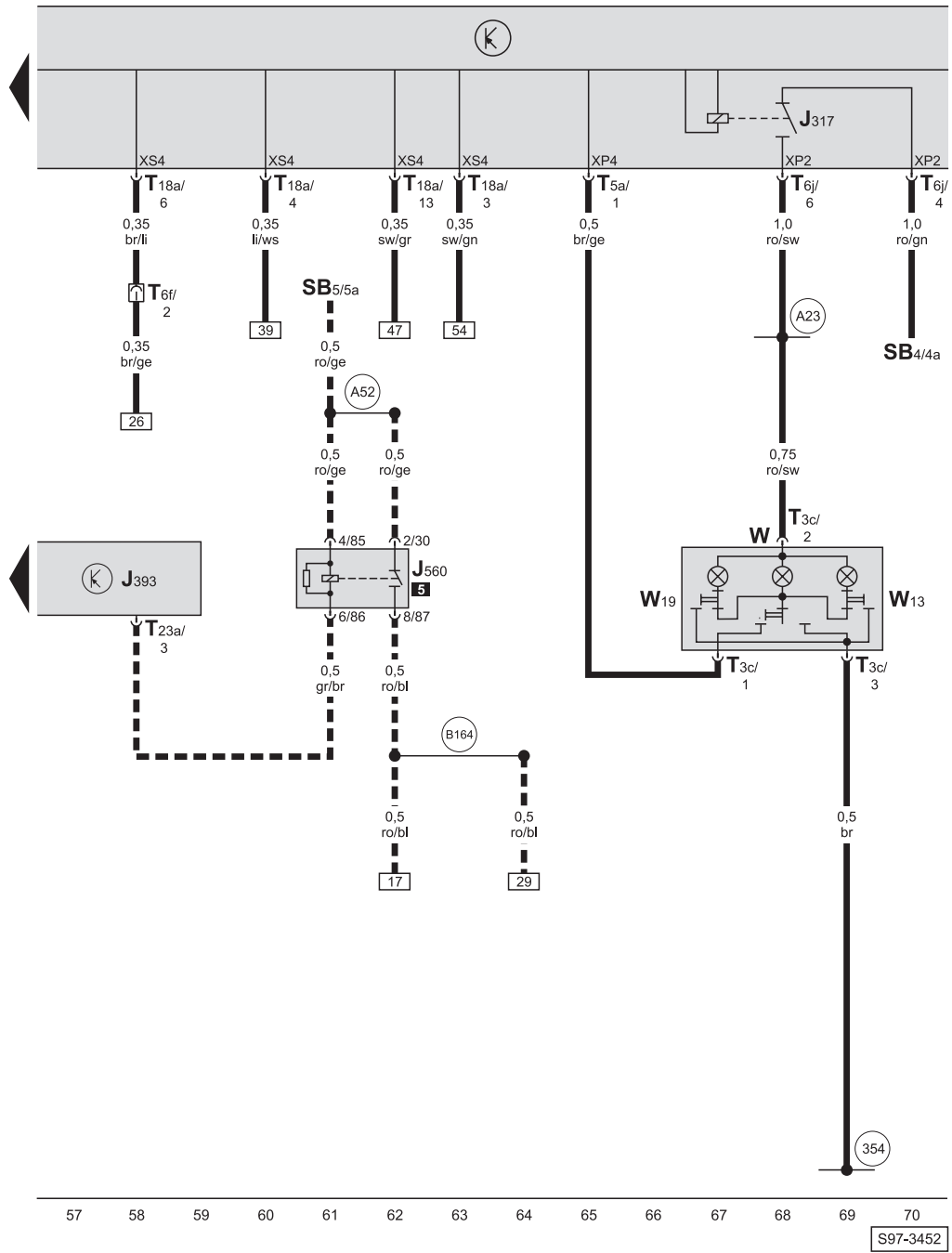
Convenience electrics central control unit, left rear central locking locking unit, right rear central locking locking unit



- F222 - Central locking lock unit, rear left (switch position - released, door closed)
- F223 - Central locking lock unit, rear right (switch position - released, door closed)
- J393 - Convenience electrics central control unit
- T6c - 6-pin connector, at rear left central locking locking unit
- T6d - 6-pin connector, at rear right central locking locking unit
- T6h - 6-pin connector, at left B pillar (brown)
- T6i - 6-pin connector, at right B pillar (brown)
- T6l - 6-pin connector, at left B pillar (blue)
- T6m - 6-pin connector, at right B pillar (blue)
- T12c - Connector, 12-pin, at convenience electrics central control unit (black)

- (81) - Earth connection, in wiring harness behind dash panel
- (354) - Earth connection, in wiring harness behind dash panel

Convenience electrics central control unit, front interior light, door warning lights relay



- ws = white
- sw = black
- ro = red
- br = brown
- gn = green
- bl = blue
- gr = grey
- li = purple
- ge = yellow
- or = orange

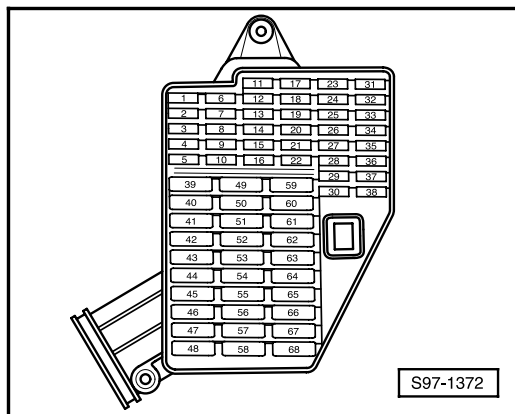
- J317 - Terminal 30 voltage supply relay
- J393 - Convenience electrics central control unit
- J560 - Door warning lights relay
- SB4 - Fuse, in fuse holder
- SB5 - Fuse, in fuse holder
- T3c - 3-pin connector, at front interior light bulb
- T5a - 5-pin connector, at electrical system control unit (black)
- T6f - 6-pin connector, at left A pillar (brown)
- T6j - 6-pin connector, at electrical system control unit (brown)
- T18a - 18-pin connector, at electrical system control unit (brown)
- T23a - 23-pin connector, at convenience electrics central control unit
- W - Interior light, front
- W13 - Front passenger's reading light
- W19 - Driver-side reading light

- 354 - Earth connection, in wiring harness behind dash panel
- A23 - Positive connection (30a), in wiring loom behind dash panel
- A52 - Positive connection (30a), in wiring loom behind dash panel on left
- B164 - Connection (30, door warning light), in interior wiring loom
- - Applies only to models with door warning lights

Front power windows

Heated and adjustable exterior mirrors, from August 2002

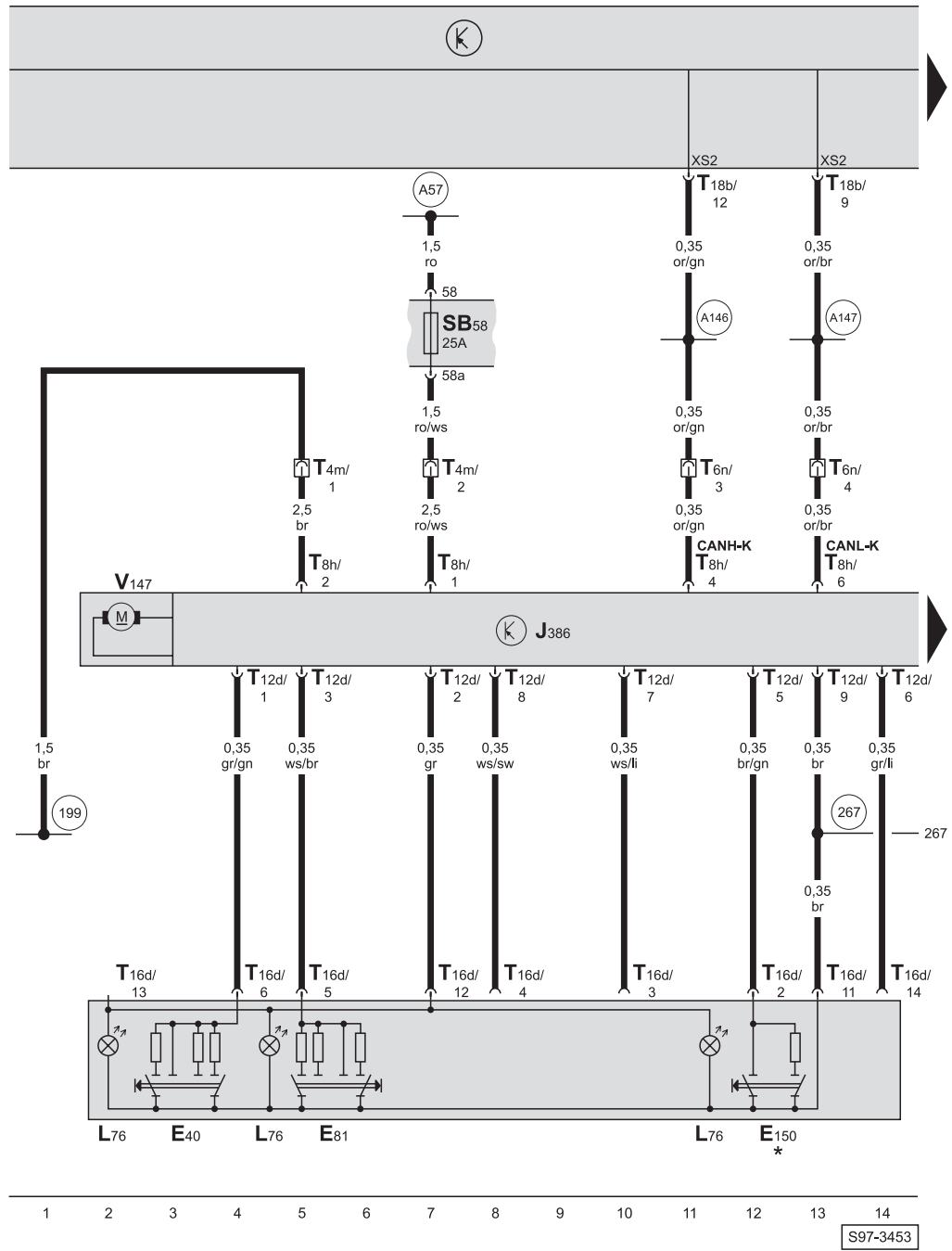
Fuse holder:



Fuse colours

- 30A - green
- 25A - white
- 20A - yellow
- 15A - blue
- 10A - red
- 7.5A - brown
- 5A - beige

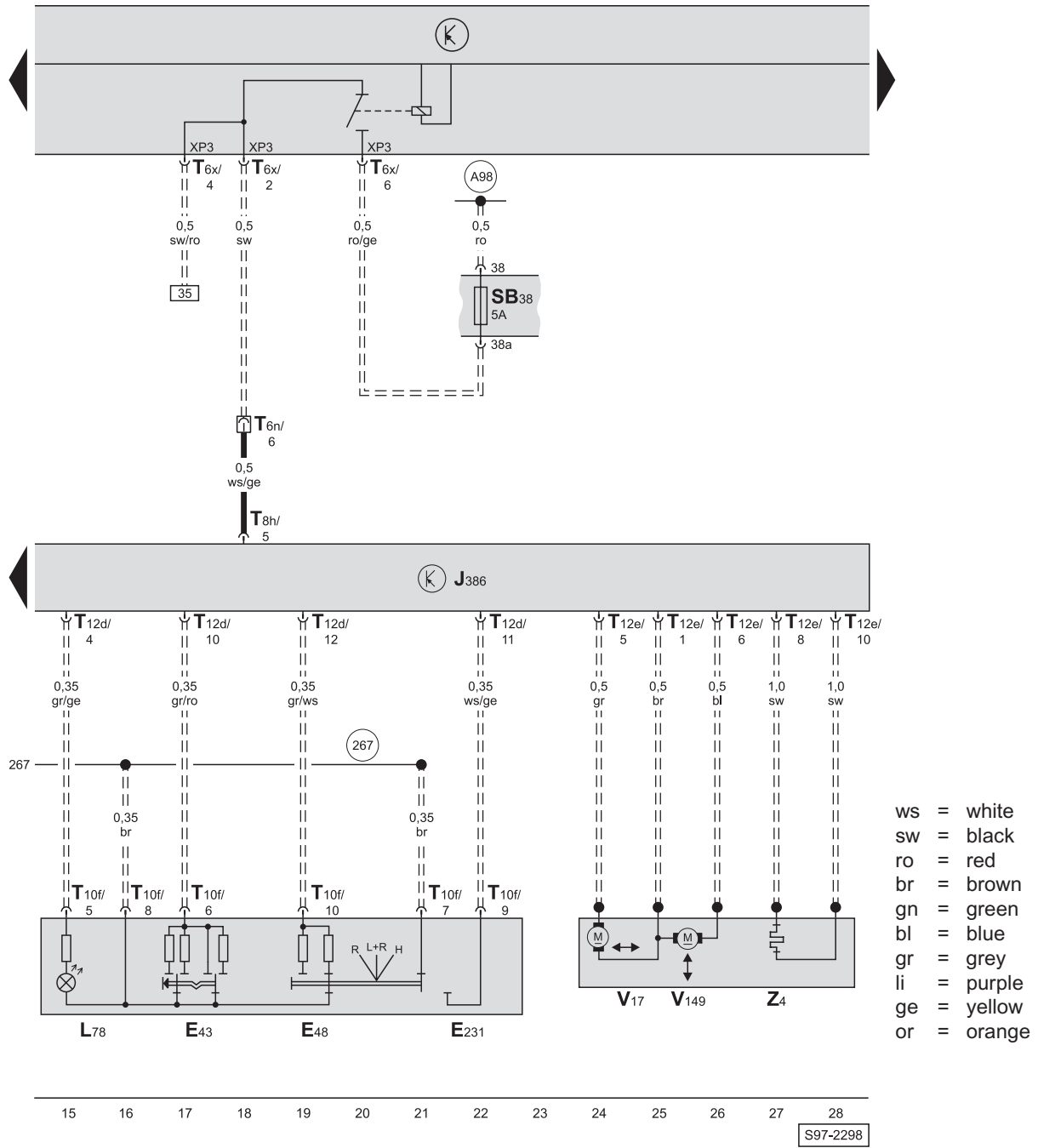
Electrical window for driver door, Fuse holder



- E40 - Front left power window switch
- E81 - Front right power window switch, driver
- E150 - Interior locking switch, driver side
- J386 - Door control unit, driver's side
- L76 - Power window central switch lighting
- T4m - 4-pin connector, at left A pillar (black)
- T6n - Connector, 6-pin, at left A-pillar (blue)
- T8h - Connector, 8-pin, at door control unit, driver side
- T12d - Connector, 12-pin, at door control unit, driver side (black)
- T16d - 16-pin connector, at central switch for window lifters, in driver's door
- T18b - 18-pin connector, at electrical system control unit (black)
- V147 - Electric window motor, driver's side

- 199 - Earth connection, in wiring harness behind dash panel
- 267 - Earth connection, in wiring harness of door assembly wiring driver side
- A57 - Positive connection (30a), in wiring loom behind dash panel
- A146 - Connection (CAN-H, convenience), in wiring loom behind dash panel
- A147 - Connection (CAN-L, convenience), in wiring loom behind dash panel
- * - Applies only to models with central locking

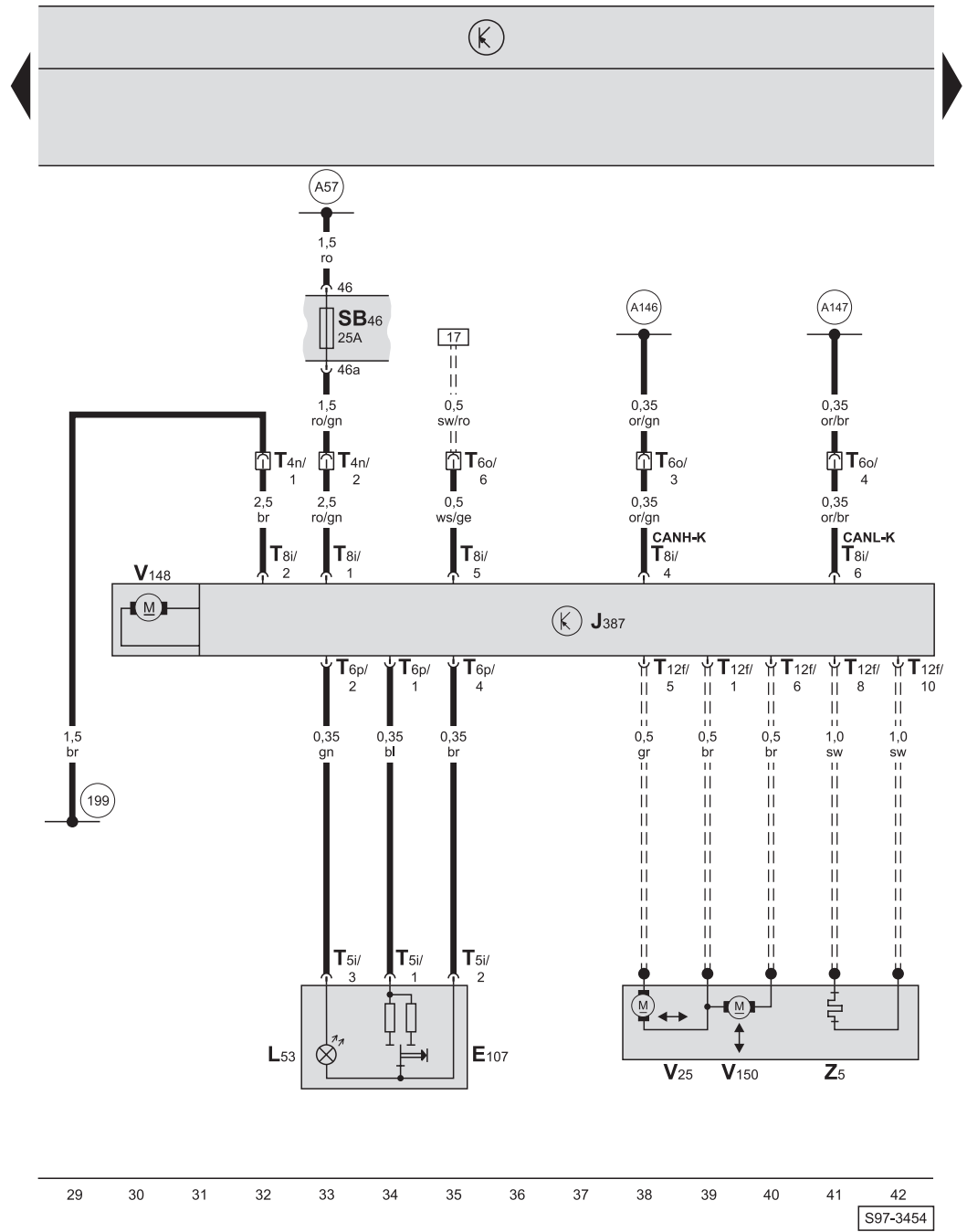
Heated and adjustable exterior mirror for driver door, fuse holder



- E43 - Mirror adjustment switch
- E48 - Mirror adjustment changeover switch
- E231 - Exterior mirror heater pushbutton
- J386 - Door control unit, driver's side
- L78 - Mirror adjustment switch illumination
- T6n - Connector, 6-pin, at left A-pillar (blue)
- T6x - 6-pin connector, at electrical system control unit (red)
- T8h - Connector, 8-pin, at door control unit, driver side
- T10f - Connector, 10-pin, at mirror adjustment switch
- T12d - Connector, 12-pin, at door control unit, driver side (black)
- T12e - Connector, 12-pin, at door control unit, driver side (brown)
- V17 - Mirror adjustment motor (driver's side)
- V149 - Mirror adjustment motor (driver side)
- Z4 - Heated exterior mirror, driver side

- 267 - Earth connection, in wiring harness of door assembly wiring driver side
- A98 - Positive connection (30a), in wiring loom behind dash panel (applies only to models with telephone system)
- === - applies only to models with heated and adjustable exterior mirrors

Passenger door power window, passenger door heated and adjustable exterior mirror, fuse holder

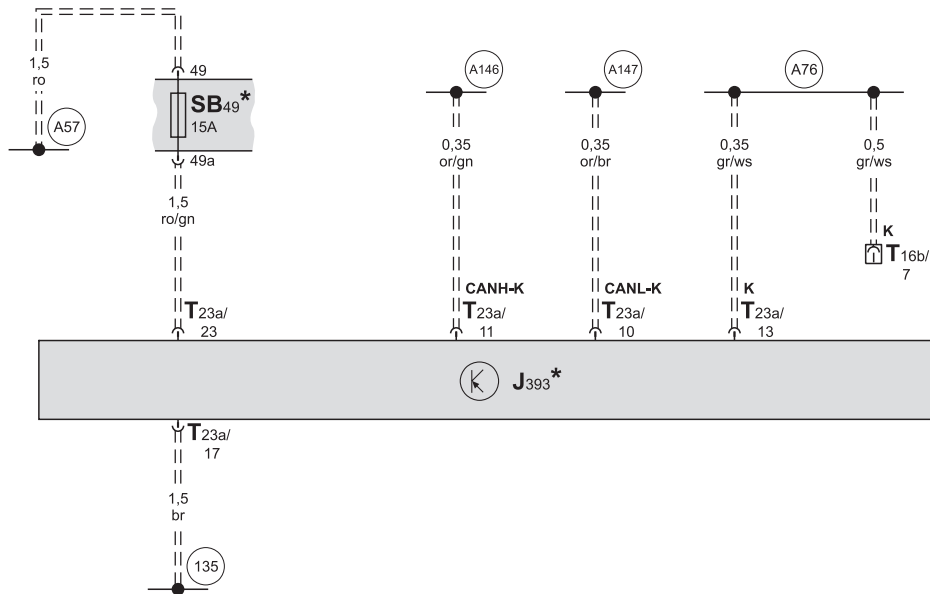
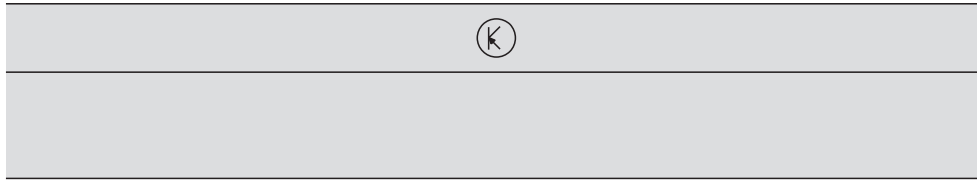


- ws = white
- sw = black
- ro = red
- br = brown
- gn = green
- bl = blue
- gr = grey
- li = purple
- ge = yellow
- or = orange

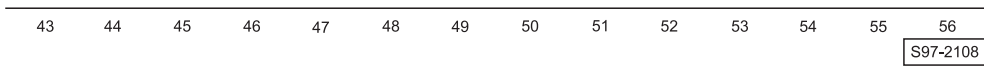
- E107 - Power window switch, in front passenger door
- J387 - Door control unit, passenger's side
- L53 - Window lifter switch illumination bulb
- T4n - 4-pin connector, at right A pillar (black)
- T5i - Connector, 5-pin, at power window switch, in front passenger door
- T6o - 6-pin connector, at right A pillar (blue)
- T6p - Connector, 6-pin, at door control unit, front passenger side
- T8i - Connector, 8-pin, at door control unit, front passenger side
- T12f - Connector, 12-pin, at door control unit, front passenger side
- V25 - Mirror adjustment motor (passenger side)
- V148 - Electric window motor (passenger side)
- V150 - Mirror adjustment motor (passenger side)
- Z5 - Heated exterior mirror (passenger side)

- 199 - Earth connection, in wiring harness behind dash panel
- A57 - Positive connection (30a), in wiring loom behind dash panel
- A146 - Connection (CAN-H, convenience), in wiring loom behind dash panel
- A147 - Connection (CAN-L, convenience), in wiring loom behind dash panel
- === - applies only to models with heated and adjustable exterior mirrors

Convenience electrics central control unit, fuse holder



- ws = white
- sw = black
- ro = red
- br = brown
- gn = green
- bl = blue
- gr = grey
- li = purple
- ge = yellow
- or = orange



- J393 - Convenience electrics central control unit
- T16b - 16-pin connector, in glove box on driver's side (diagnosis connection)
- T23a - 23-pin connector, at convenience electrics central control unit

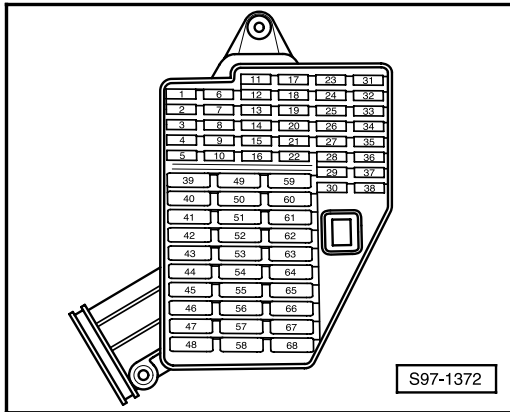
- (135) - Earth connection, in wiring harness behind dash panel
- (A57) - Positive connection (30a), in wiring loom behind dash panel
- (A76) - Connection (K diagnosis wire), in wiring loom behind dash panel on left
- (A146) - Connection (CAN-H, convenience), in wiring loom behind dash panel
- (A147) - Connection (CAN-L, convenience), in wiring loom behind dash panel

- * - Applies only to models without central locking
- === - Applies only to models without central locking

Front and rear power windows

Heated and adjustable exterior mirrors, from August 2002

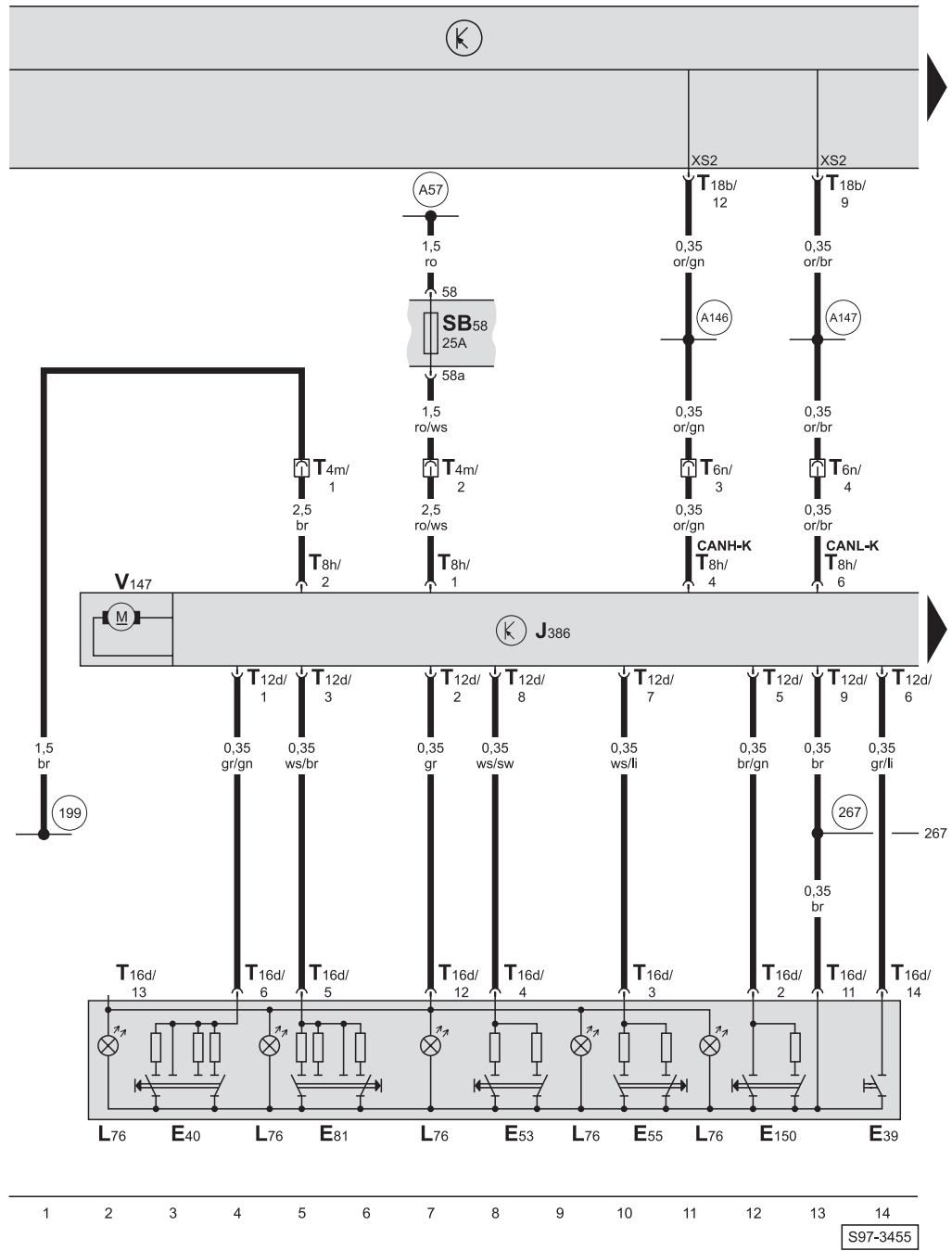
Fuse holder:



Fuse colours

- 30A - green
- 25A - white
- 20A - yellow
- 15A - blue
- 10A - red
- 7.5A - brown
- 5A - beige

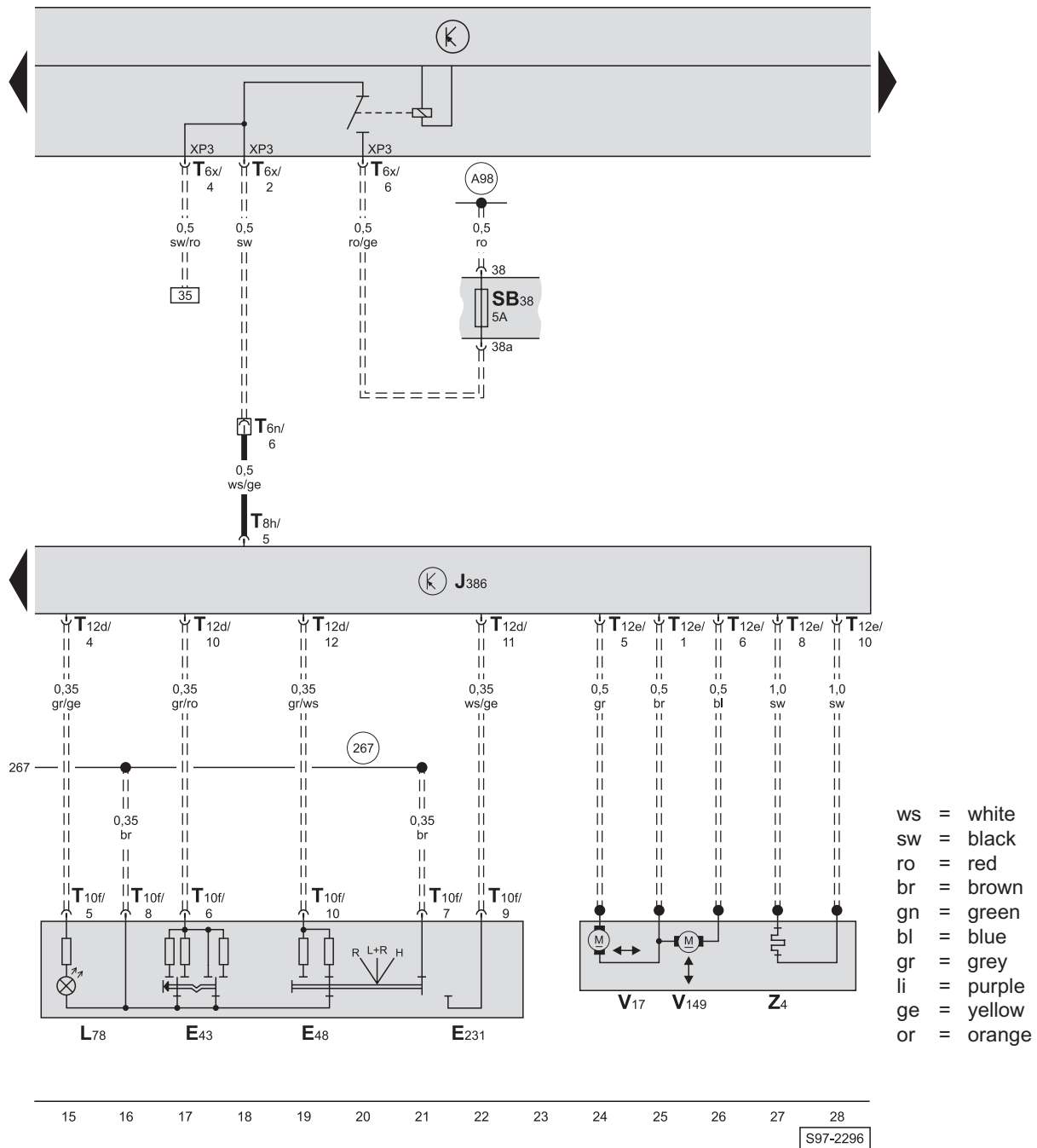
Driver-door power window, fuse holder



- E39 - Rear power window locking switch
- E40 - Front left power window switch
- E53 - Rear left power window switch, driver
- E55 - Rear right power window switch, driver
- E81 - Front right power window switch, driver
- E150 - Interior locking switch, driver side
- J386 - Door control unit, driver's side
- L76 - Power window central switch lighting
- T4m - 4-pin connector, at left A pillar (black)
- T6n - Connector, 6-pin, at left A-pillar (blue)
- T8h - Connector, 8-pin, at door control unit, driver side
- T12d - Connector, 12-pin, at door control unit, driver side (black)
- T16d - 16-pin connector, at central switch for window lifters, in driver's door
- T18b - 18-pin connector, at electrical system control unit (black)
- V147 - Electric window motor, driver's side

- 199 - Earth connection, in wiring harness behind dash panel
- 267 - Earth connection, in wiring harness of door assembly wiring driver side
- A57 - Positive connection (30a), in wiring loom behind dash panel
- A146 - Connection (CAN-H, convenience), in wiring loom behind dash panel
- A147 - Connection (CAN-L, convenience), in wiring loom behind dash panel

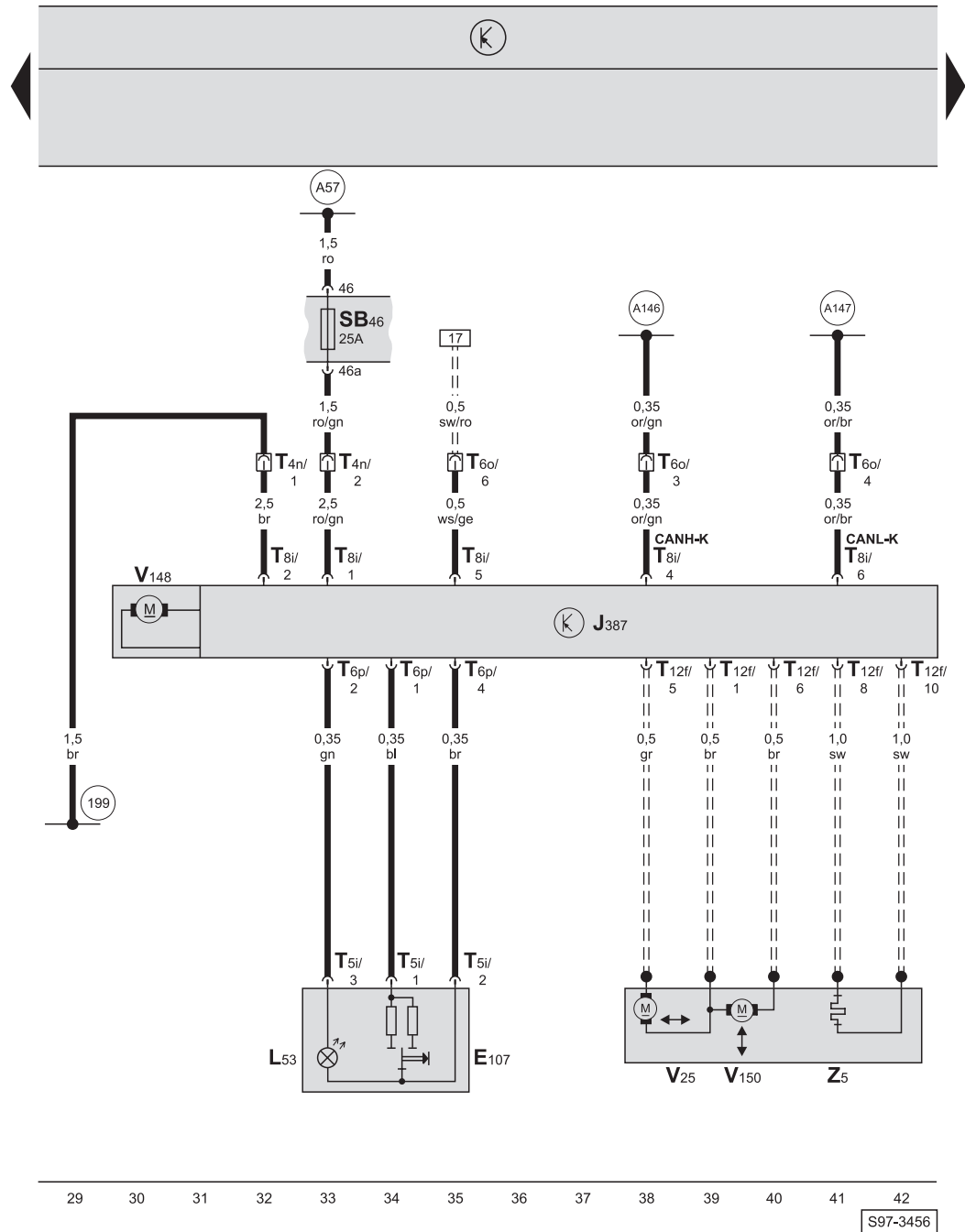
Heated and adjustable exterior mirror for driver door, fuse holder



- E43 - Mirror adjustment switch
- E48 - Mirror adjustment changeover switch
- E231 - Exterior mirror heater pushbutton
- J386 - Door control unit, driver's side
- L78 - Mirror adjustment switch illumination
- T6n - Connector, 6-pin, at left A-pillar (blue)
- T6x - 6-pin connector, at electrical system control unit (red)
- T8h - Connector, 8-pin, at door control unit, driver side
- T10f - Connector, 10-pin, at mirror adjustment switch
- T12d - Connector, 12-pin, at door control unit, driver side (black)
- T12e - Connector, 12-pin, at door control unit, driver side (brown)
- V17 - Mirror adjustment motor (driver's side)
- V149 - Mirror adjustment motor (driver side)
- Z4 - Heated exterior mirror, driver side

- 267 - Earth connection, in wiring harness of door assembly wiring driver side
- A98 - Positive connection (30a), in wiring loom behind dash panel (applies only to models with telephone system)
- === - applies only to models with heated and adjustable exterior mirrors

Passenger door power window, passenger door heated and adjustable exterior mirror, fuse holder

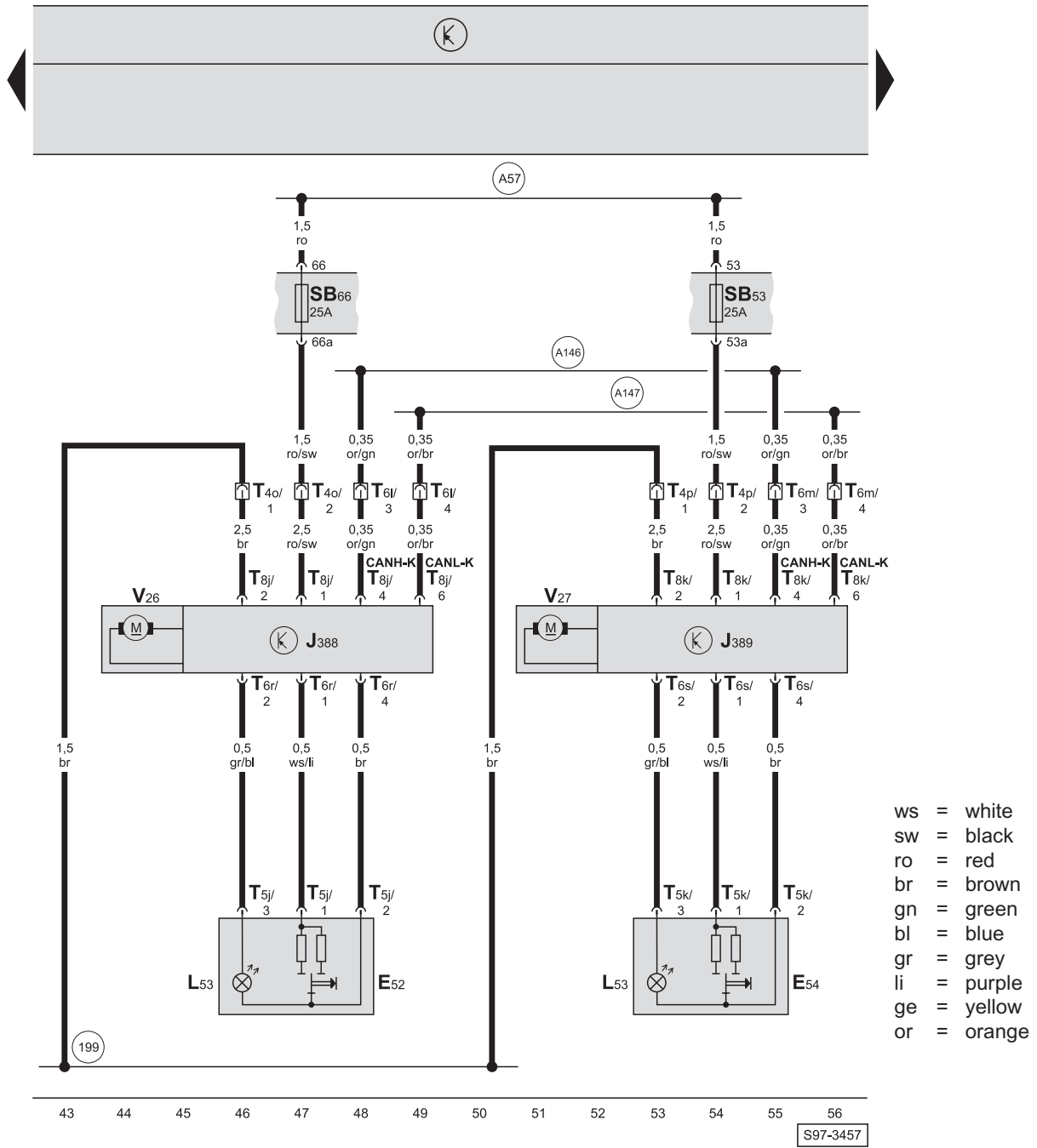


- ws = white
- sw = black
- ro = red
- br = brown
- gn = green
- bl = blue
- gr = grey
- li = purple
- ge = yellow
- or = orange

- E107 - Power window switch, in front passenger door
- J387 - Door control unit, passenger's side
- L53 - Window lifter switch illumination bulb
- T4n - 4-pin connector, at right A pillar (black)
- T5i - Connector, 5-pin, at power window switch, in front passenger door
- T6o - 6-pin connector, at right A pillar (blue)
- T6p - Connector, 6-pin, at door control unit, front passenger side
- T8i - Connector, 8-pin, at door control unit, front passenger side
- T12f - Connector, 12-pin, at door control unit, front passenger side
- V25 - Mirror adjustment motor (passenger side)
- V148 - Electric window motor (passenger side)
- V150 - Mirror adjustment motor (passenger side)
- Z5 - Heated exterior mirror (passenger side)

- 199 - Earth connection, in wiring harness behind dash panel
- A57 - Positive connection (30a), in wiring loom behind dash panel
- A146 - Connection (CAN-H, convenience), in wiring loom behind dash panel
- A147 - Connection (CAN-L, convenience), in wiring loom behind dash panel
- === - applies only to models with heated and adjustable exterior mirrors

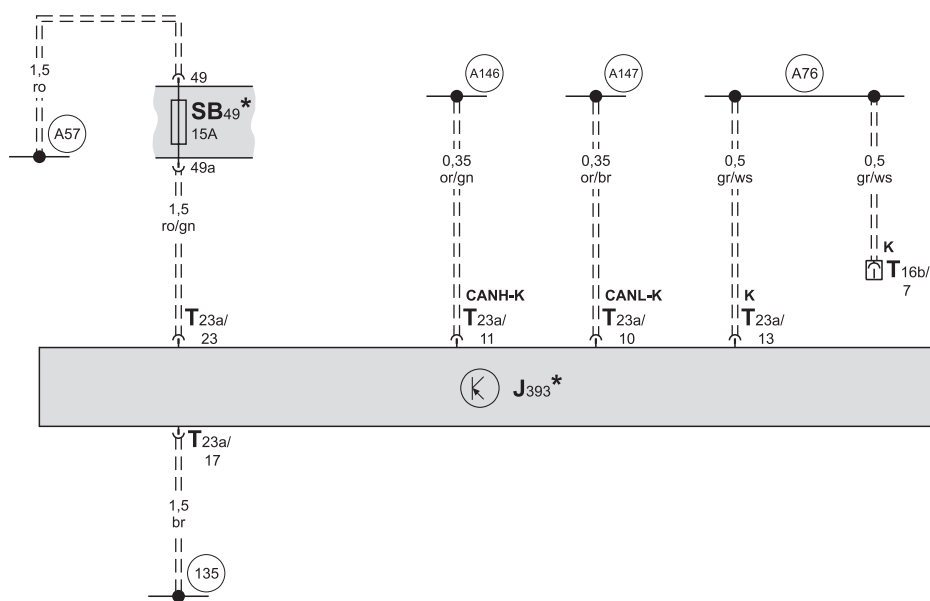
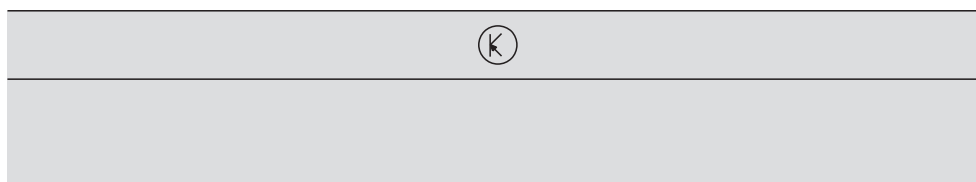
Rear left electrical window, Rear right electrical window



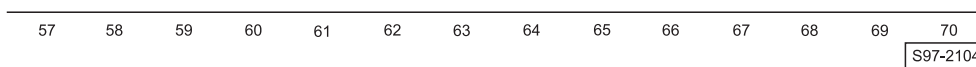
- E52 - Window lifter switch, rear left
- E54 - Window lifter switch, rear right
- J388 - Door control unit, rear left
- J389 - Door control unit, rear right
- L53 - Window lifter illumination bulb
- T4o - 4-pin connector, at left B pillar (black)
- T4p - 4-pin connector, at right B pillar (black)
- T5j - 5-pin connector, at left rear window lifter switch
- T5k - 5-pin connector, at rear right window lifter switch
- T6l - 6-pin connector, at left B pillar (blue)
- T6m - 6-pin connector, at right B pillar (blue)
- T6r - Connector, 6-pin, at rear left door control unit
- T6s - Connector, 6-pin, at rear right door control unit
- T8j - Connector, 8-pin, at rear left door control unit
- T8k - Connector, 8-pin, at rear right door control unit
- V26 - Electric window lifter motor, rear left

- V27 - Electric window lifter motor, rear right
- 199 - Earth connection, in wiring harness behind dash panel
- A57 - Positive connection (30a), in wiring loom behind dash panel
- A32 - Positive connection (30a), in wiring loom behind dash panel on left
- A146 - Connection (CAN-H, convenience), in wiring loom behind dash panel
- A147 - Connection (CAN-L, convenience), in wiring loom behind dash panel

Convenience electrics central control unit, fuse holder



- ws = white
- sw = black
- ro = red
- br = brown
- gn = green
- bl = blue
- gr = grey
- li = purple
- ge = yellow
- or = orange



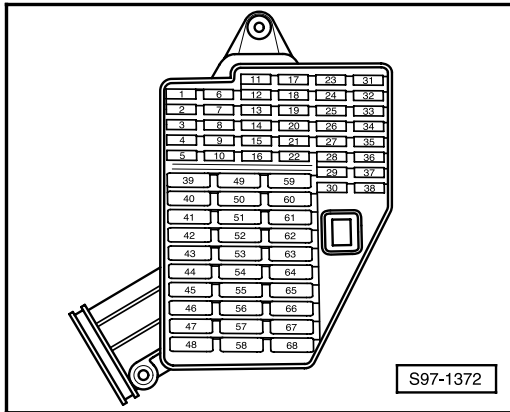
- J393 - Convenience electrics central control unit
- T16b - 16-pin connector, in glove box on driver's side (diagnosis connection)
- T23a - 23-pin connector, at convenience electrics central control unit

- (135) - Earth connection, in wiring harness behind dash panel
- (A57) - Positive connection (30a), in wiring loom behind dash panel
- (A76) - Connection (K diagnosis wire), in wiring loom behind dash panel on left
- (A146) - Connection (CAN-H, convenience), in wiring loom behind dash panel
- (A147) - Connection (CAN-L, convenience), in wiring loom behind dash panel

- * - Applies only to models without central locking
- === - Applies only to models without central locking

Heated and adjustable exterior mirrors (without power windows), from August 2002

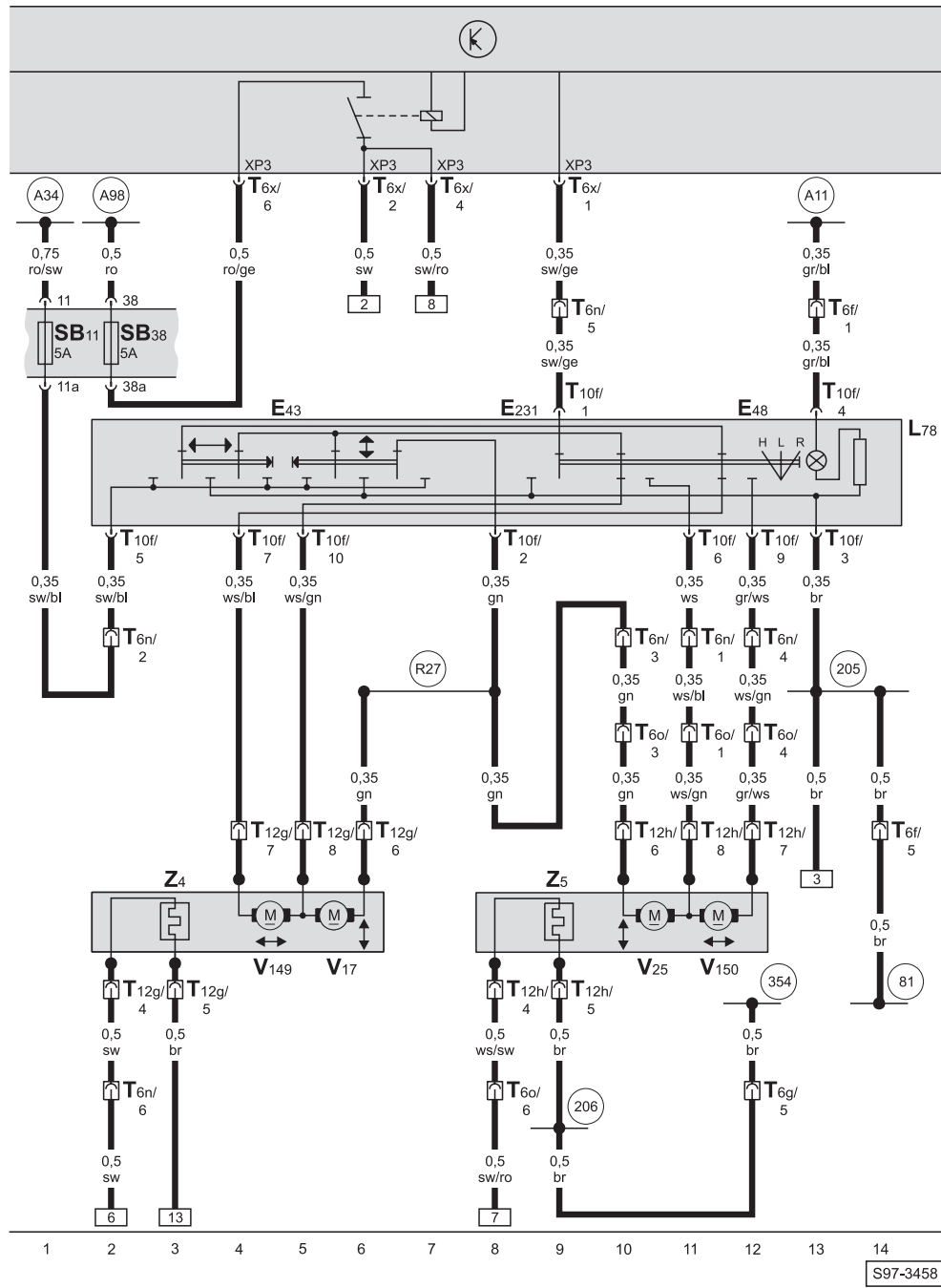
Fuse holder:



Fuse colours

- 30A - green
- 25A - white
- 20A - yellow
- 15A - blue
- 10A - red
- 7.5A - brown
- 5A - beige

Heated and adjustable exterior mirror



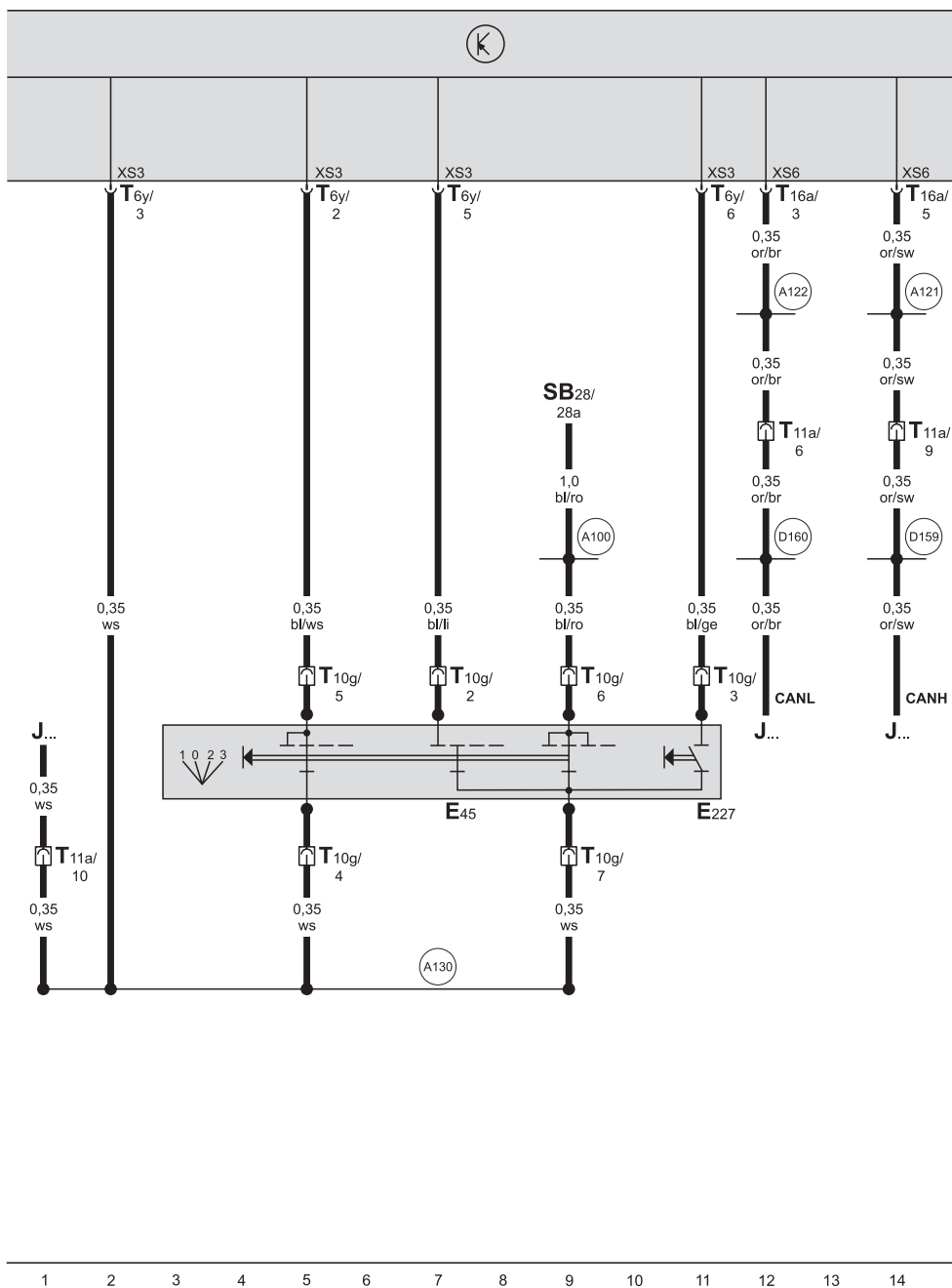
- ws = white
- sw = black
- ro = red
- br = brown
- gn = green
- bl = blue
- gr = grey
- li = purple
- ge = yellow
- or = orange

- E43 - Mirror adjustment switch
- E48 - Mirror adjustment changeover switch
- E231 - Exterior mirror heater pushbutton
- L78 - Mirror adjustment switch illumination
- T6f - 6-pin connector, at left A pillar (brown)
- T6g - 6-pin connector, at right A pillar (brown)
- T6n - Connector, 6-pin, at left A-pillar (blue)
- T6o - 6-pin connector, at right A pillar (blue)
- T6x - 6-pin connector, at electrical system control unit (red)
- T10f - Connector, 10-pin, at mirror adjustment switch
- T12g - Connector, 12-pin, in driver door
- T12h - Connector, 12-pin, in front passenger door
- V17 - Mirror adjustment motor (driver's side)
- V25 - Mirror adjustment motor (passenger side)
- V149 - Mirror adjustment motor (driver side)
- V150 - Mirror adjustment motor (passenger side)
- Z4 - Heated exterior mirror, driver side
- Z5 - Heated exterior mirror (passenger side)

- 81 - Earth connection, in wiring harness behind dash panel
- 205 - Earth connection, in wiring harness of door assembly wiring driver side
- 206 - Earth connection, in door wiring loom - passenger side
- 354 - Earth connection, in wiring harness behind dash panel
- A11 - Positive connection (58b), in wiring loom behind dash panel
- A34 - Positive connection (75x), in wiring loom behind dash panel
- A98 - Positive connection (30a), in wiring loom behind dash panel (applies only to models with telephone system)
- R27 - Connection (mirror adjustment), in driver-side door wiring loom

Cruise control system, from August 2002

Cruise control system



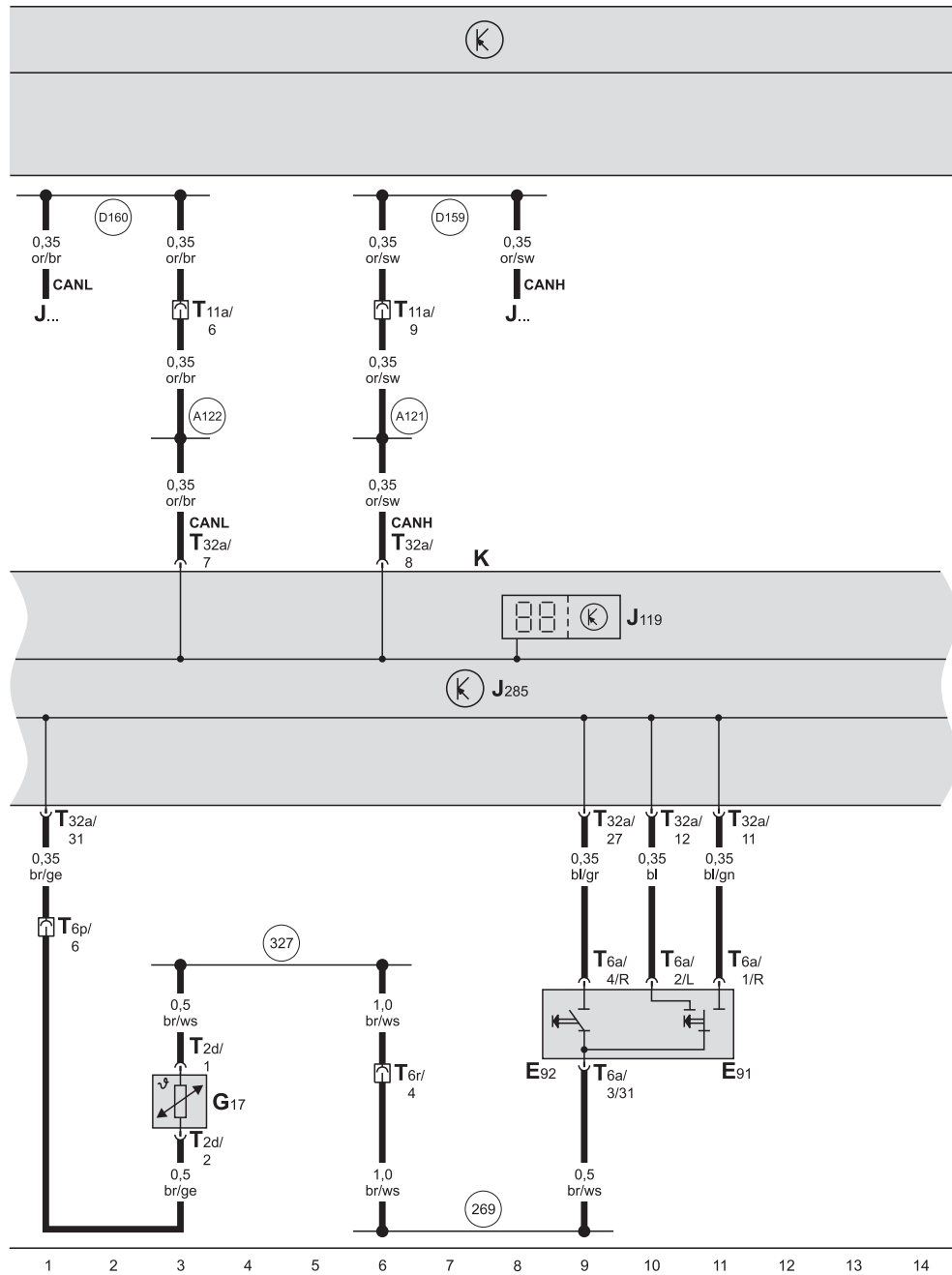
- ws = white
- sw = black
- ro = red
- br = brown
- gn = green
- bl = blue
- gr = grey
- li = purple
- ge = yellow
- or = orange

- E45 - Cruise control system switch
- E227 - Cruise control button (Set)
- J... - Engine control units
- SB28 - Fuse, in fuse holder
- T6y - 6-pin connector, at electrical system control unit (brown)
- T10g - 10-pin connector, at CCS switch
- T11a - 11-pin connector, at left of bulkhead (white)
- T16a - 16-pin connector, at electrical system control unit (black)

- A100 - Connection (87a), in wiring loom behind dash panel
- A121 - Connection (CAN-H), in wiring loom behind dash panel on
- A122 - Connection (CAN-L), in wiring loom behind dash panel
- A130 - Connection (CCS), in wiring loom behind dash panel on left
- D159 - Connection (CAN-H), in engine compartment wiring loom
- D160 - Connection (CAN-L), in engine compartment wiring loom

Multifunction display (MFA), from August 2002

Multifunction display (MFD)

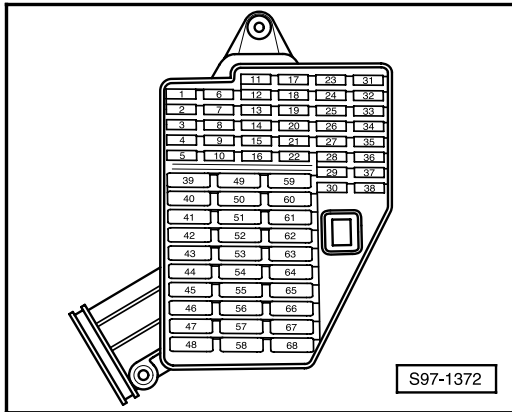


- E91 - Function selection switch
- E92 - Reset button
- G17 - Ambient temperature sensor
- J119 - Multifunction display
- J285 - Control unit in dash panel insert
- J... - Engine control units
- K - Dash panel insert
- T2d - 2-pin connector, at ambient temperature sensor
- T6a - 6-pin connector, at windscreen wiper intermittent switch
- T6p - 6-pin connector, at left of bulkhead (red)
- T6r - 6-pin connector, at left of bulkhead (brown)
- T11a - 11-pin connector, at left of bulkhead (white)
- T32a - 32-pin connector, at dash panel insert

- 269 - Earth connection (sender earth) -1-, in wiring harness behind dash panel
- 327 - Earth connection (sender earth), in engine compartment wiring harness
- A121 - Connection (CAN-H), in wiring loom behind dash panel on
- A122 - Connection (CAN-L), in wiring loom behind dash panel
- D159 - Connection (CAN-H), in engine compartment wiring loom
- D160 - Connection (CAN-L), in engine compartment wiring loom

Anti-theft alarm system, from August 2002

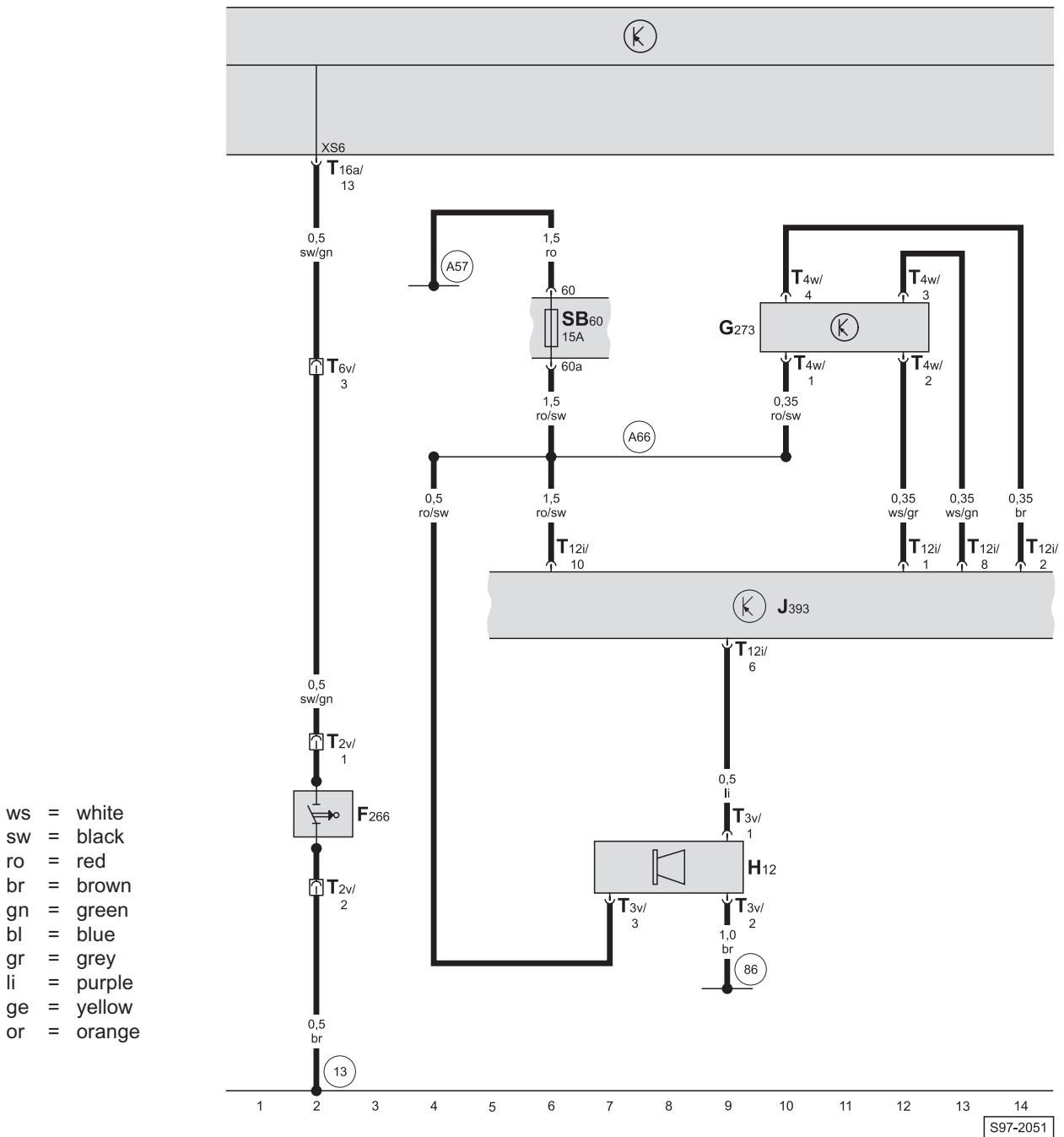
Fuse holder:



Fuse colours

- 30A - green
- 25A - white
- 20A - yellow
- 15A - blue
- 10A - red
- 7.5A - brown
- 5A - beige

Anti-theft alarm

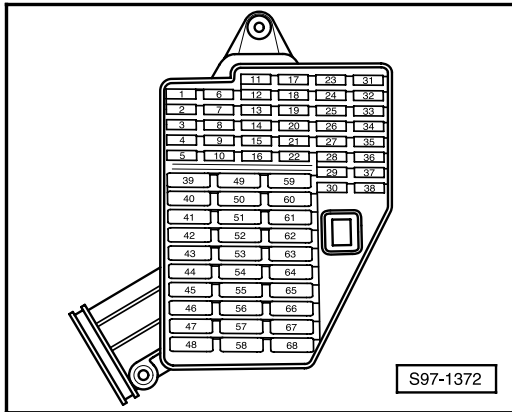


- F266 - Vermin repellent system contact switch
- G273 - Sensor for interior monitoring
- H12 - Alarm horn
- J393 - Convenience electrics central control unit
- T2v - 2-pin connector, at bonnet contact switch
- T3v - 3-pin connector, at alarm horn
- T4w - 4-pin connector, at interior motion sensor
- T6v - 6-pin connector, at left of bulkhead (green)
- T12i - 12-pin connector, at convenience electrics central control unit (brown)
- T16a - 16-pin connector, at electrical system control unit (black)

- 13 - Earth point, in front right of engine compartment
- 86 - Earth connection -1-, in rear interior wiring loom
- A57 - Positive connection (30a), in wiring loom behind dash panel
- A66 - Connection (30a, anti-theft alarm system), in wiring loom behind dash panel

Gas discharge lights, from August 2002

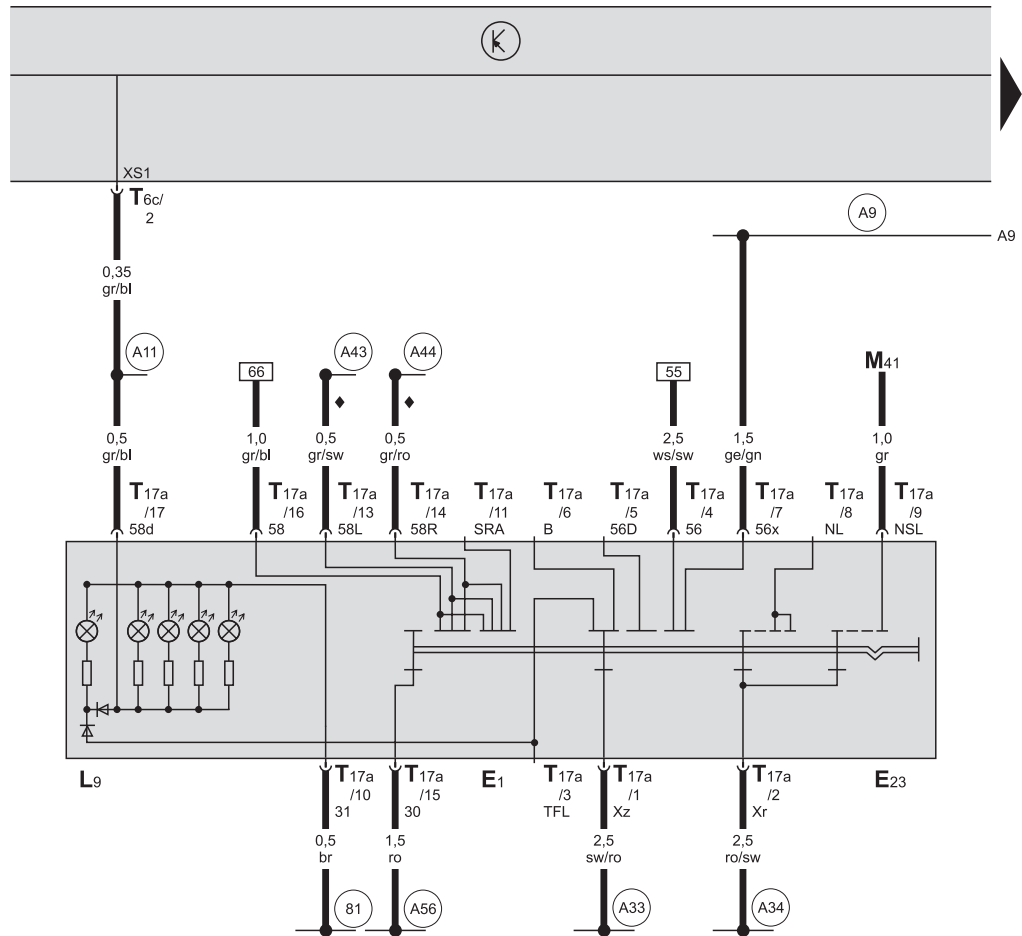
Fuse holder:



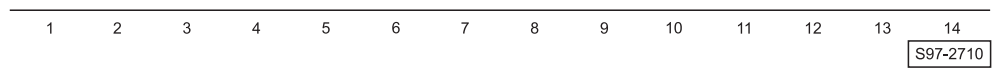
Fuse colours

- 30A - green
- 25A - white
- 20A - yellow
- 15A - blue
- 10A - red
- 7.5A - brown
- 5A - beige

Light switch



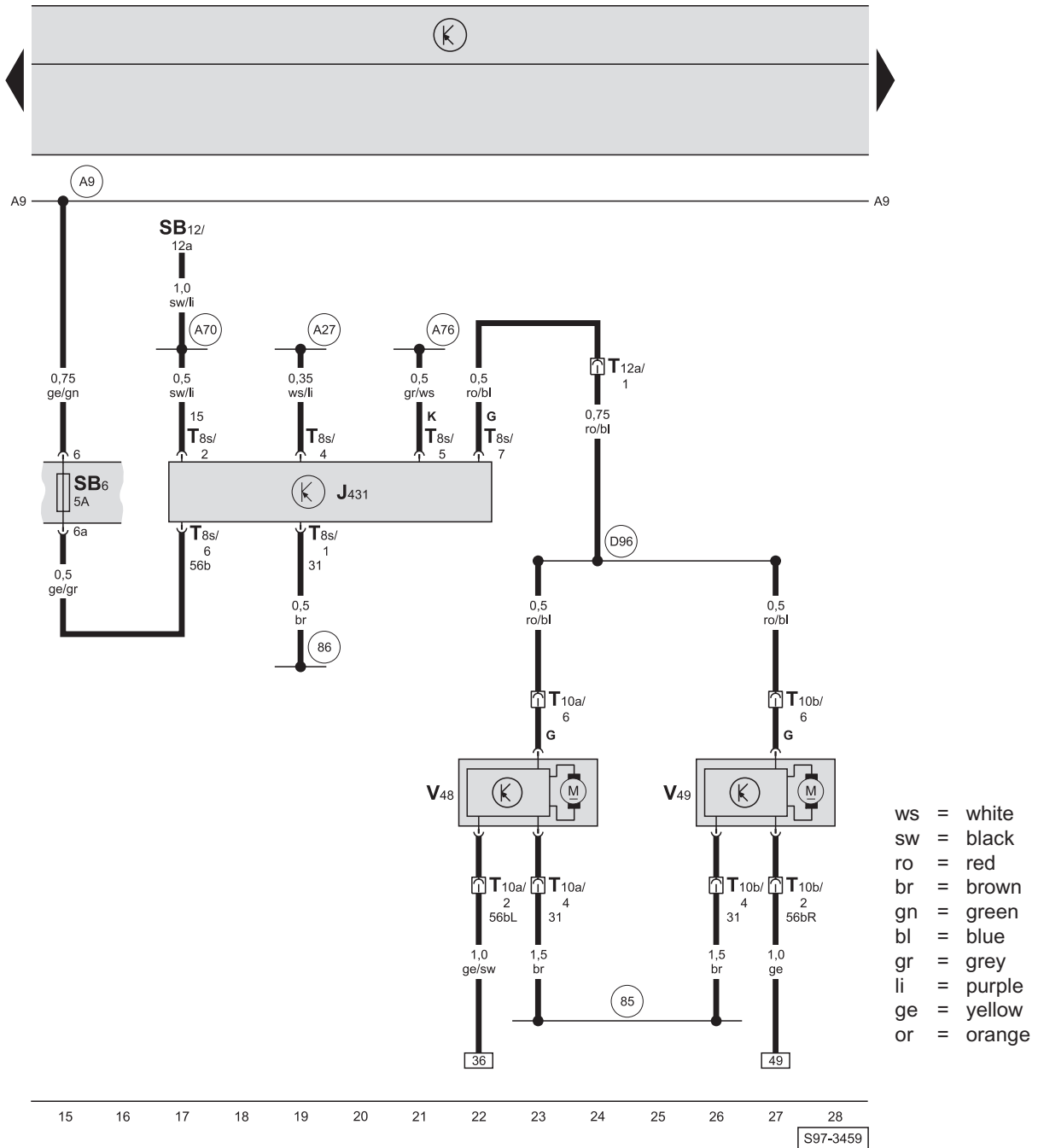
- ws = white
- sw = black
- ro = red
- br = brown
- gn = green
- bl = blue
- gr = grey
- li = purple
- ge = yellow
- or = orange



- E1 - Light switch
- E23 - Front and rear fog light switch
- L9 - Lighting switch illumination bulb
- M41 - Left tail light and rear fog light bulb
- T6c - 6-pin connector, at electrical system control unit (black)
- T17a - 17-pin connector, at light switch

- 81 - Earth connection, in wiring harness behind dash panel
- A9 - Connection (56b), in wiring loom behind dash panel
- A11 - Positive connection (58b), in wiring loom behind dash panel
- A33 - Positive connection (75), in wiring loom behind dash panel
- A34 - Positive connection (75x), in wiring loom behind dash panel
- A43 - Connection (57L), in wiring loom behind dash panel
- A44 - Connection (57R), in wiring loom behind dash panel
- A56 - Positive connection (30a), in wiring loom behind dash panel
- ◆ - Does not apply to models with daytime running lights

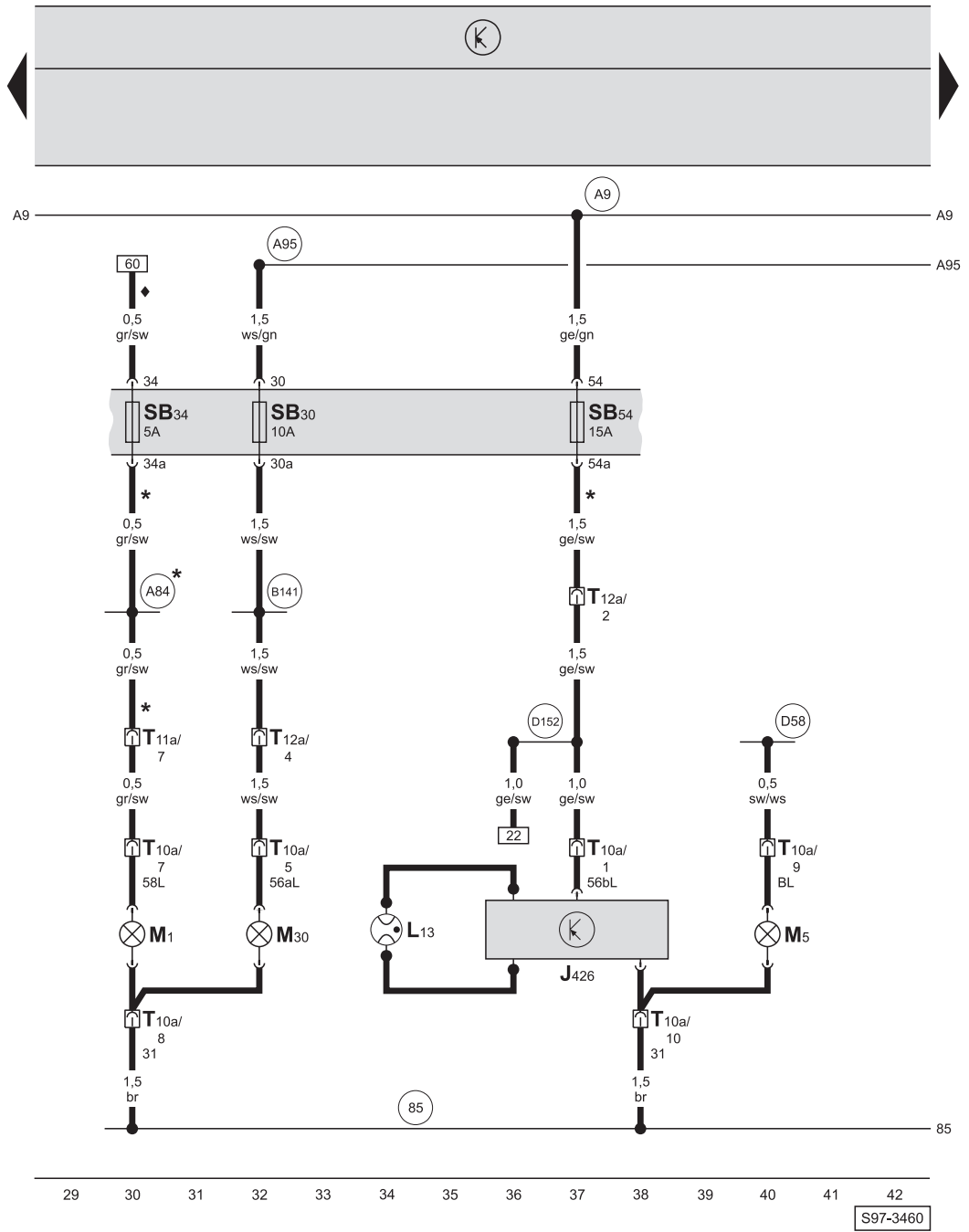
Headlight range adjustment control unit, headlight range adjustment, fuse holder



- J431 - Headlight beam adjustment control unit (at rear axle)
- SB12 - Fuse, in fuse holder
- T8s - Connector, 8-pin, at headlight range adjustment control unit
- T10a - 10-pin connector, at left headlight
- T10b - 10-pin connector, at right headlight
- T12a - 12-pin connector, at left of bulkhead (white)
- V48 - Headlight range control motor, left
- V49 - Headlight range control motor, right

- 85 - Earth connection -1-, in wiring loom in left of engine compartment
- 86 - Earth connection -1-, in rear interior wiring loom
- A9 - Connection (56b), in wiring loom behind dash panel
- A27 - Connection (vehicle speed signal), in wiring loom behind dash panel
- A70 - Positive connection (15a), in wiring loom behind dash panel
- A76 - Connection (K diagnosis wire), in wiring loom behind dash panel on left
- D96 - Connection (headlight range control), in engine compartment wiring loom

Left gas discharge light, fuse holder



- ws = white
- sw = black
- ro = red
- br = brown
- gn = green
- bl = blue
- gr = grey
- li = purple
- ge = yellow
- or = orange

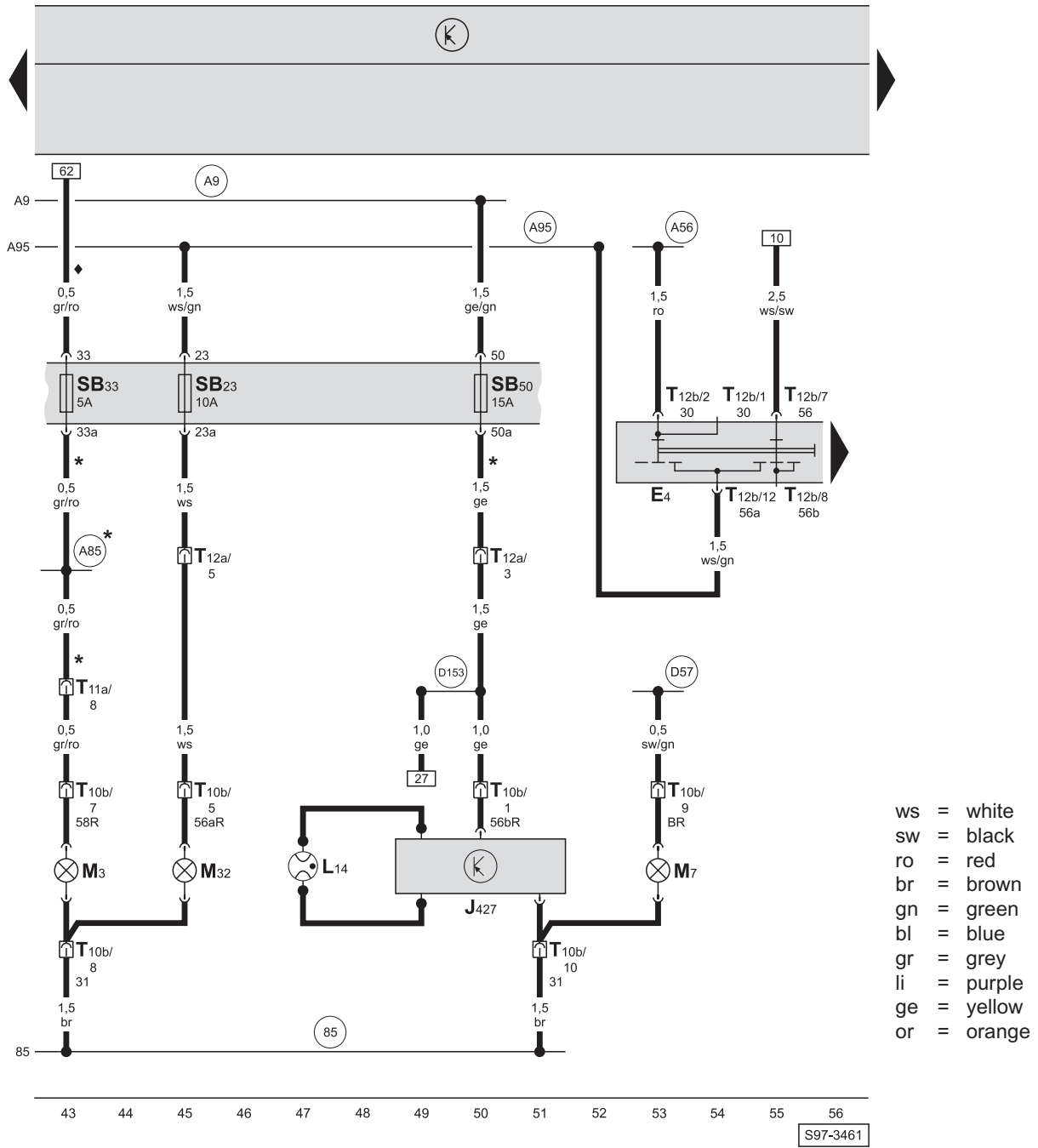
- J426 - Left headlight ballast unit (gas discharge)
- L13 - Left gas discharge light
- M1 - Side light bulb, left
- M5 - Turn signal bulb, front left
- M30 - Headlight main beam bulb, left
- T10a - 10-pin connector, at left headlight
- T11a - 11-pin connector, at left of bulkhead (white)
- T12a - 12-pin connector, at left of bulkhead (white)

- 85 - Earth connection -1-, in wiring loom in left of engine compartment
- A9 - Connection (56b), in wiring loom behind dash panel
- A84 - Connection (58L), in wiring loom behind dash panel
- A95 - Connection (56a), in wiring loom behind dash panel
- B141 - Connection (56aL), in wiring loom behind dash panel
- D58 - Connection (left turn signal light), in left engine compartment wiring loom
- D152 - Positive connection (56bL), in left engine compartment wiring loom

- * - Does not apply to models with bulb failure indicator
- ◆ - Does not apply to models with daytime running lights

S97-3460

Right gas discharge bulb, dimming and headlight flasher switch, fuse holder

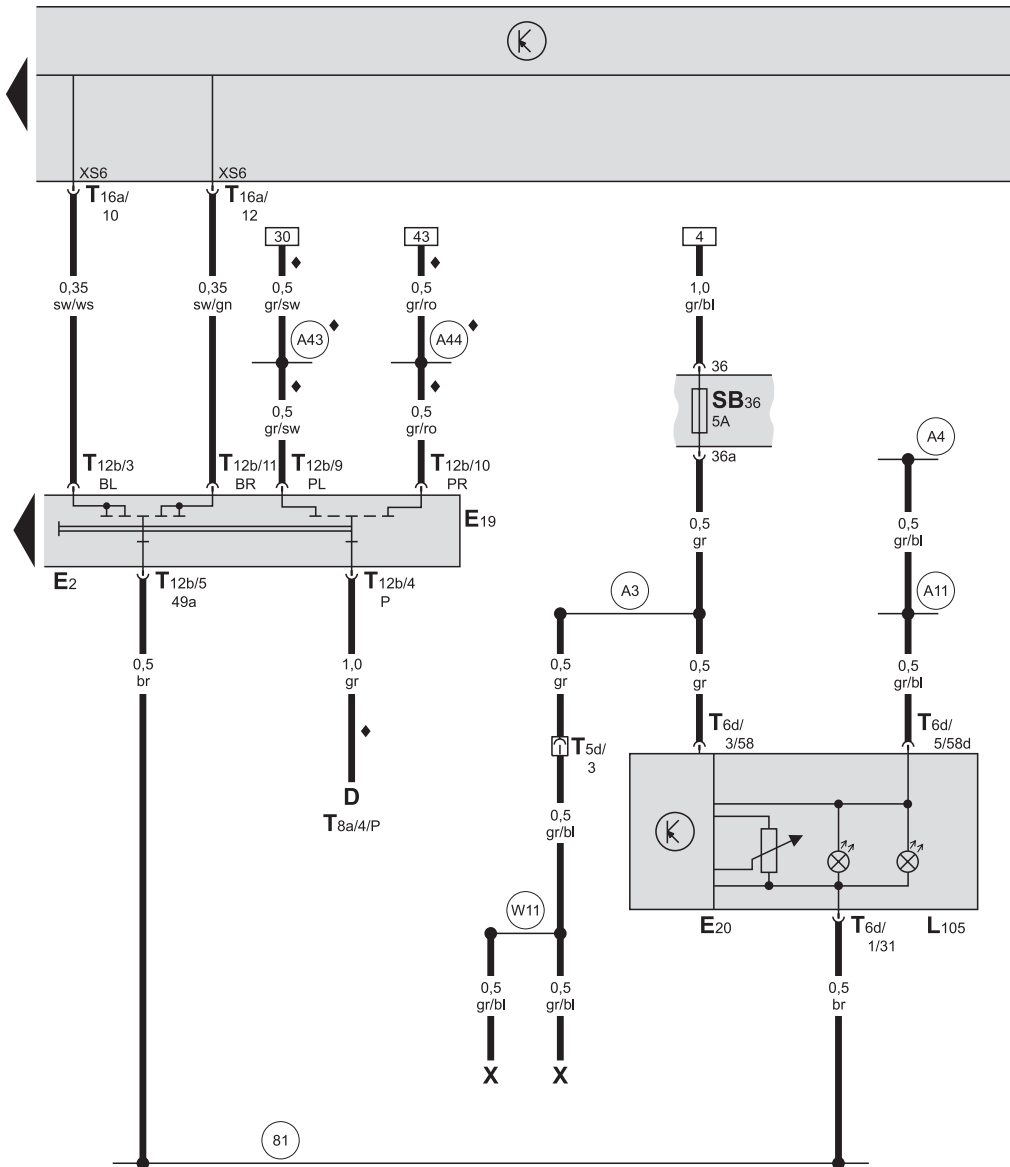


- E4 - Headlight dipper/flasher switch
- J427 - Right headlight ballast unit (gas discharge)
- L14 - Right gas discharge light
- M3 - Side light bulb, right
- M7 - Turn signal bulb, front right
- M32 - Headlight main beam bulb, right
- T10b - 10-pin connector, at right headlight
- T11a - 11-pin connector, at left of bulkhead (white)
- T12a - 12-pin connector, at left of bulkhead (white)
- T12b - 12-pin connector, at headlight dipper/flasher switch

- 85 - Earth connection -1-, in wiring loom in left of engine compartment
- A9 - Connection (56b), in wiring loom behind dash panel
- A56 - Positive connection (30a), in wiring loom behind dash panel
- A85 - Connection (58R), in wiring loom behind dash panel
- A95 - Connection (56a), in wiring loom behind dash panel
- D57 - Connection (right turn signal light), in right engine compartment wiring loom
- D153 - Positive connection (56bR), in right engine compartment wiring loom

- * - Does not apply to models with bulb failure indicator
- ♦ - Does not apply to models with daytime running lights

Turn signal switch, parking light switch, lighting rheostat - switches and instruments



- ws = white
- sw = black
- ro = red
- br = brown
- gn = green
- bl = blue
- gr = grey
- li = purple
- ge = yellow
- or = orange

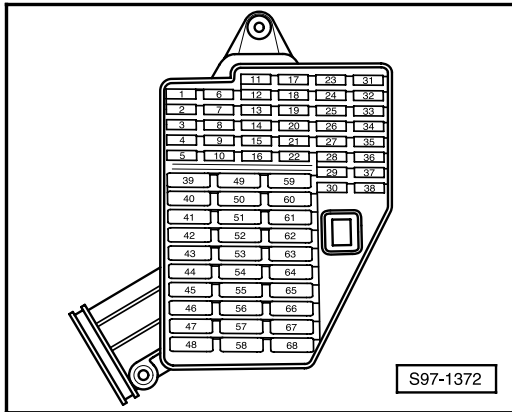
57 58 59 60 61 62 63 64 65 66 67 68 69 70
S97-2714

- D - Ignition/starter switch
- E2 - Turn signal switch
- E19 - Parking light switch
- E20 - Switches and instruments lighting control
- L105 - Illumination for lighting rheostat
- T5d - 5-pin connector, at left C pillar (pink)
- T6d - Connector, 6-pin, at switch lighting rheostat
- T8a - 8-pin connector, at ignition/starter switch
- T12b - 12-pin connector, at turn signal light switch
- T16a - 16-pin connector, at electrical system control unit (black)
- X - Number plate light

- 81 - Earth connection, in wiring harness behind dash panel
- A3 - Positive connection (58), in wiring loom behind dash panel
- A4 - Positive connection (58b), in wiring loom behind dash panel
- A11 - Positive connection (58b), in wiring loom behind dash panel
- A43 - Connection (57L), in wiring loom behind dash panel
- A44 - Connection (57R), in wiring loom behind dash panel
- W11 - Connection (58), in tailgate wiring loom
- ◆ - Does not apply to models with daytime running lights

**Daytime running lights, from August 2002
(does not apply to models with gas discharge lights)**

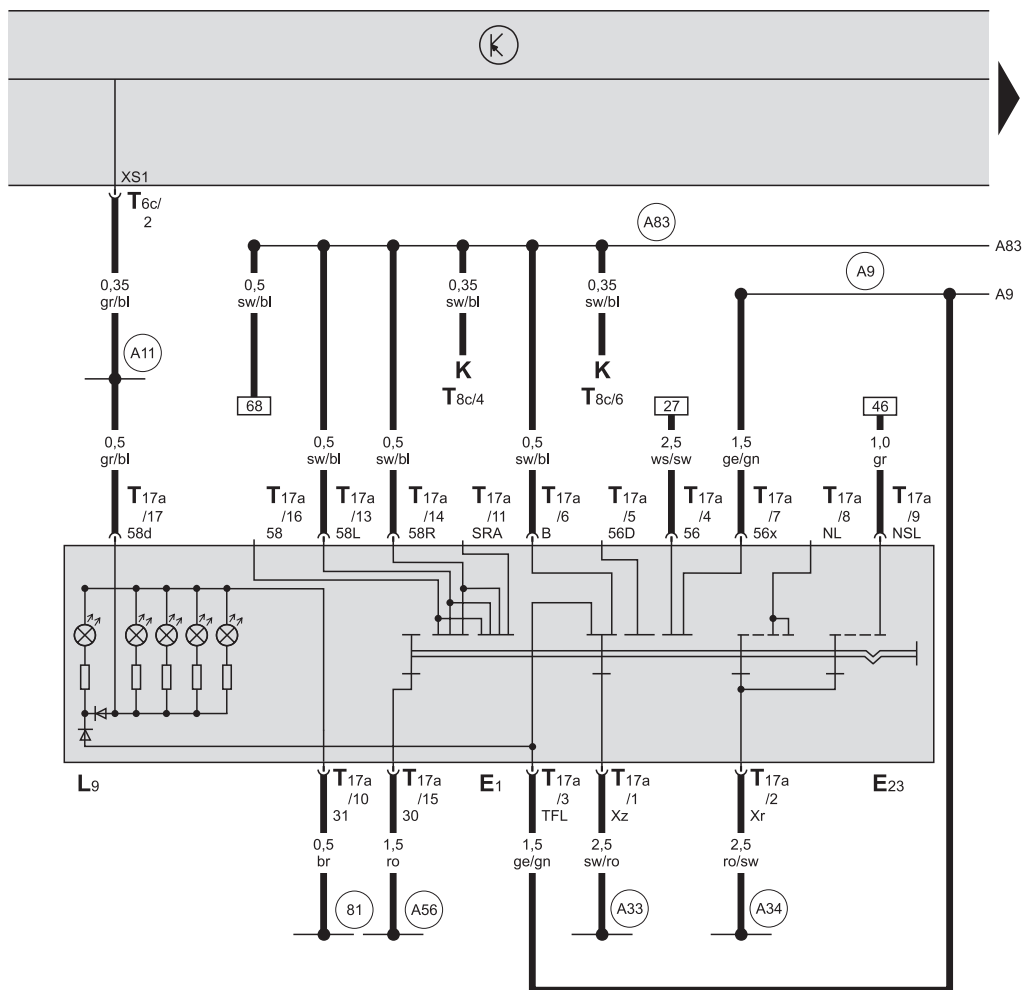
Fuse holder:



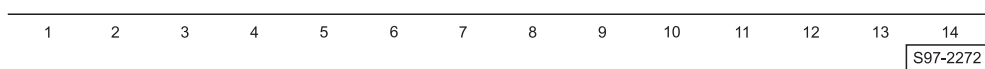
Fuse colours

- 30A - green
- 25A - white
- 20A - yellow
- 15A - blue
- 10A - red
- 7.5A - brown
- 5A - beige

Light switch



- ws = white
- sw = black
- ro = red
- br = brown
- gn = green
- bl = blue
- gr = grey
- li = purple
- ge = yellow
- or = orange



- E1 - Light switch
- E23 - Front and rear fog light switch
- K - Dash panel insert
- L9 - Lighting switch illumination bulb
- T6c - 6-pin connector, at electrical system control unit (black)
- T8c - 8-pin connector, at dash panel insert
- T17a - 17-pin connector, at light switch

- 81 - Earth connection, in wiring harness behind dash panel
- A9 - Connection (56b), in wiring loom behind dash panel
- A11 - Positive connection (58b), in wiring loom behind dash panel
- A33 - Positive connection (75), in wiring loom behind dash panel
- A34 - Positive connection (75x), in wiring loom behind dash panel
- A56 - Positive connection (30a), in wiring loom behind dash panel
- A83 - Connection (58, daytime running lights), in wiring loom behind dash panel on left