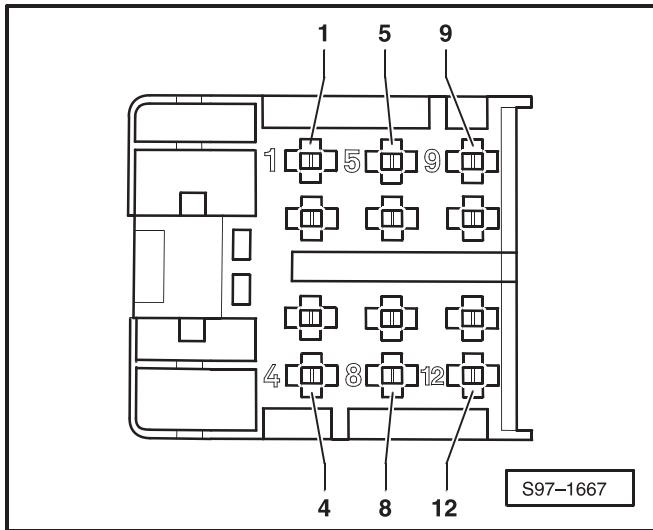
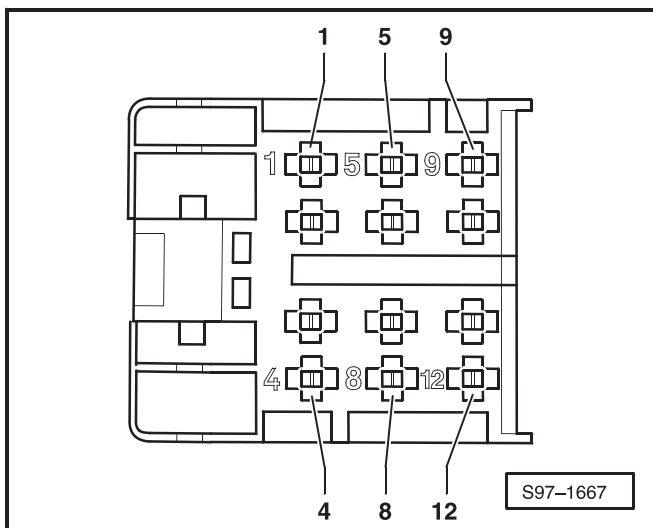


**Contact assignment of connector of front left door control unit, 12-pin, black connector**

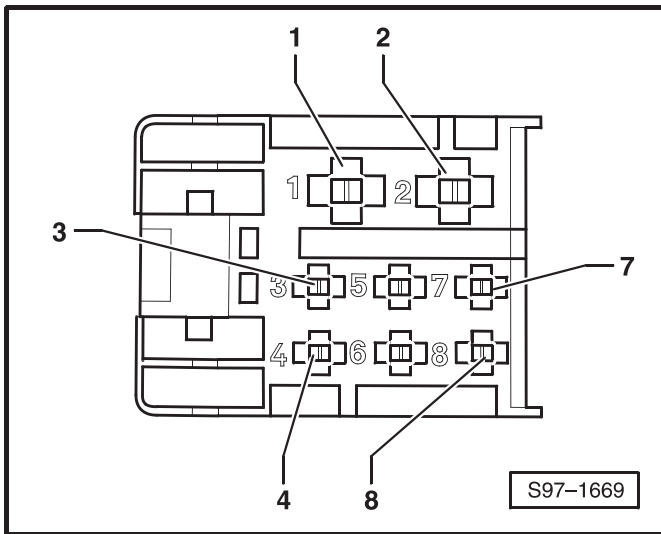


- 1 – T12d/1 Left front power window switch
- 2 – T12d/2 Power window central switch illumination
- 3 – T12d/3 Right front power window switch, driver
- 4 – T12d/4 Mirror adjustment switch illumination
- 5 – T12d/5 Interior locking switch, driver side
- 6 – T12d/6 Rear power window locking switch
- 7 – T12d/7 Rear right power window switch, driver
- 8 – T12d/8 Rear left power window switch, driver
- 9 – T12d/9 Earth
- 10 – T12d/10 Mirror adjustment switch
- 11 – T12d/11 Exterior mirror heater pushbutton
- 12 – T12d/12 Mirror adjustment selector switch (left, right)

**Contact assignment of connector of left front door control unit, 12-pin, brown connector**

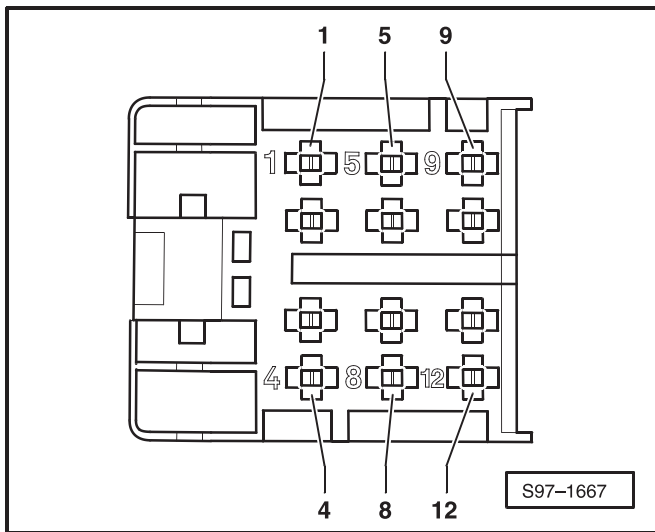


- 1 – T12e/1 Mirror adjustment motor, driver side
- 5 – T12e/5 Mirror adjustment motor, driver side
- 6 – T12e/6 Mirror adjustment motor, driver side
- 8 – T12e/8 Heated exterior mirror, driver side
- 10 – T12e/10 Heated exterior mirror, driver side

**Contact assignment of connector of left front door control unit, 8-pin**

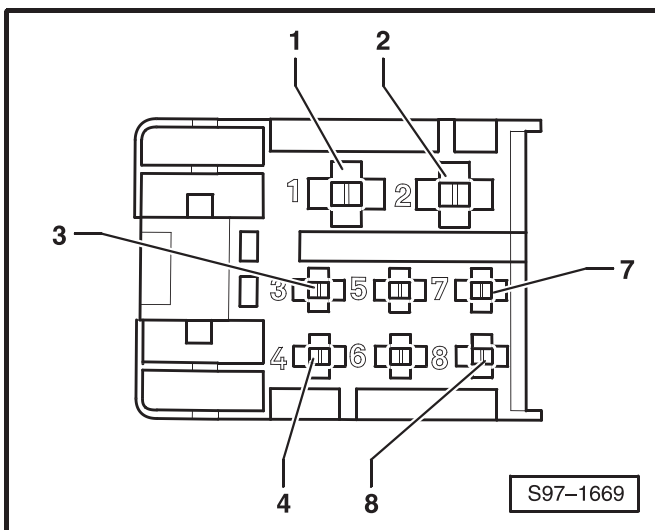
- |   |   |       |  |
|---|---|-------|--|
| 1 | - | T8h/1 | Positive connection 30a, through fuse SB58 |
| 2 | - | T8h/2 | Earth                                      |
| 4 | - | T8h/4 | CAN-High databus, convenience              |
| 5 | - | T8h/5 | Electrical system control unit             |
| 6 | - | T8h/6 | CAN-Low databus, convenience               |

Contact assignment of connector of right front door control unit, 12-pin

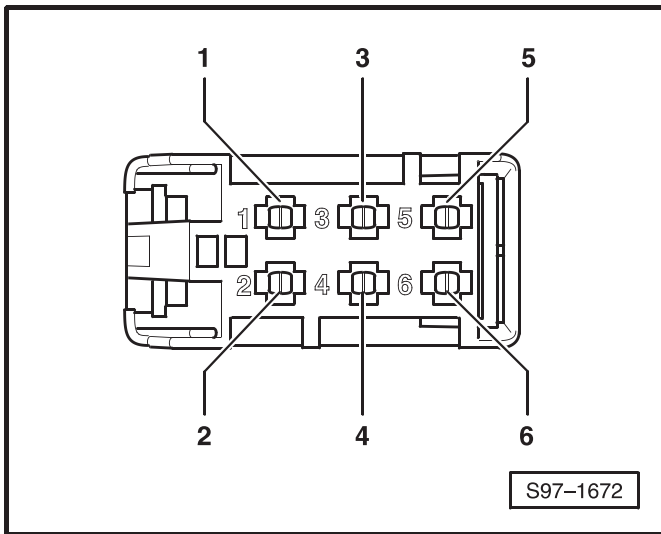


- 1 – T12f/1 Mirror adjustment motor, passenger side
- 5 – T12f/5 Mirror adjustment motor, passenger side
- 6 – T12f/6 Mirror adjustment motor, passenger side
- 8 – T12f/8 Heated exterior mirror, passenger side
- 10 – T12f/10 Heated exterior mirror, passenger side

Contact assignment of connector of right front door control unit, 8-pin

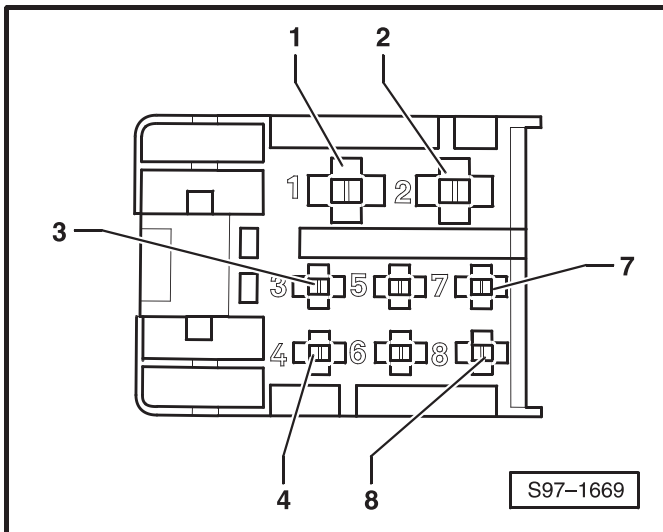


- 1 – T8i/1 Positive connection 30a, through fuse SB46
- 2 – T8i/2 Earth
- 4 – T8i/4 CAN-High databus, convenience
- 5 – T8i/5 Electrical system control unit
- 6 – T8i64 CAN-Low databus, convenience

**Contact assignment of connector of right front door control unit, 6-pin**

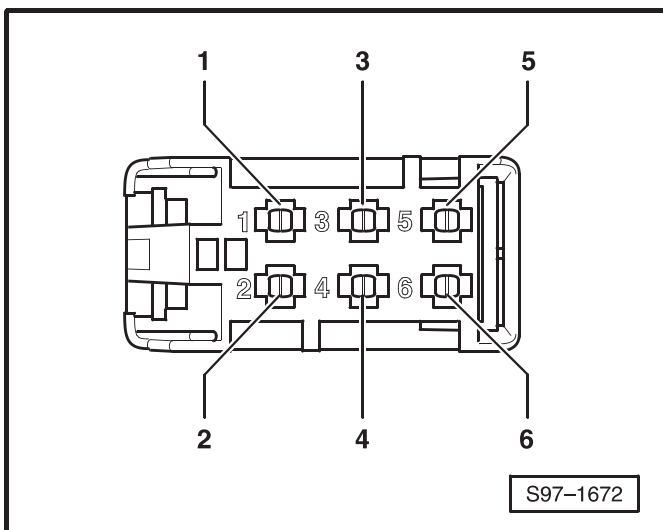
- |   |   |       |   |
|---|---|-------|---|
| 1 | – | T6p/1 | Power window switch, in passenger door    |
| 2 | – | T6p/2 | Bulb for power window switch illumination |
| 4 | – | T6p/4 | Earth                                     |

**Contact assignment of connector of rear left and right door control unit, 8-pin**



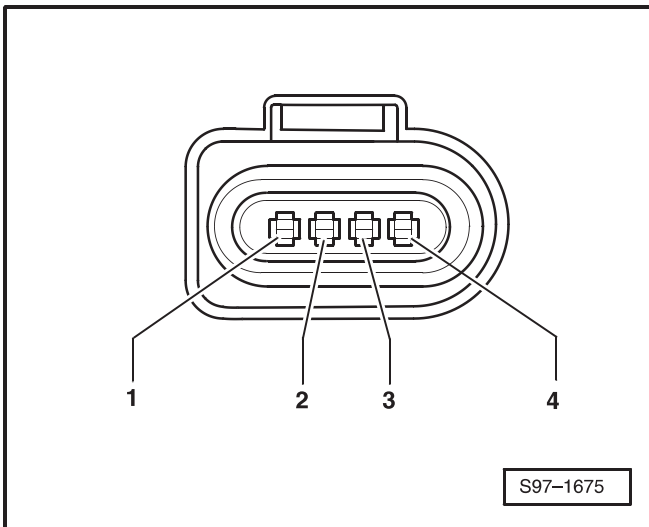
- 1 – T8j/1      Positive connection 30a, through fuse SB66 and SB53  
and T8k/1
- 2 – T8j/2      Earth  
and T8k/2
- 3 – T8j/3
- 4 – T8j/4      CAN-High databus, convenience  
and T8k/4
- 5 – T8j/5
- 6 – T8j/6      CAN-Low databus, convenience  
and T8k/6
- 7 – T8j/7
- 8 – T8j/8

**Contact assignment of connector of rear left and right door control unit, 6-pin**



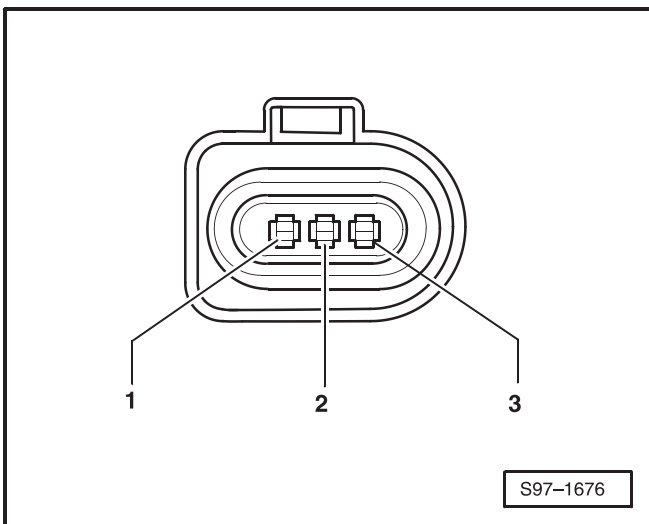
- 1 – T6r/1      Rear power window switch  
and T6s/1
- 2 – T6r/2      Bulb for power window switch illumination  
and T6s/2
- 3 – T6r/3
- 4 – T6r/4      Earth  
and T6s/4
- 5 – T6r/5
- 6 – T6r/6

### 4-pin plug contact assignment of power-assisted steering control unit (TRW, KOYO)



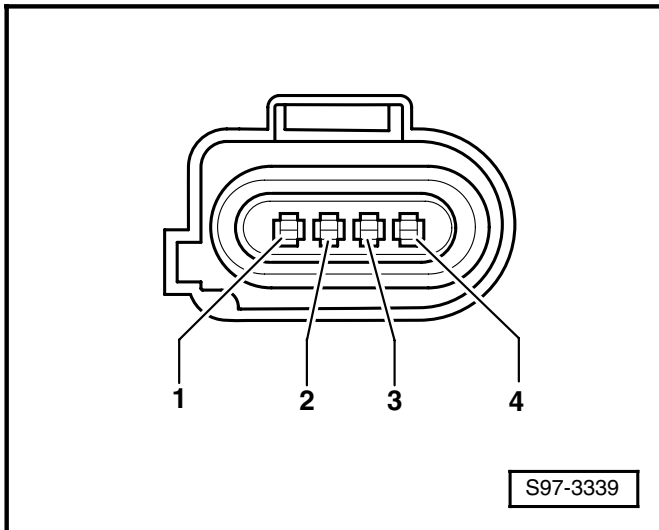
- 1 - T4r/1 Databus CAN-L
- 2 - T4r/2 Databus CAN-H
- 4 - T4r/4 Positive connection 15a via fuse SB7

### 3-pin plug contact assignment of power-assisted steering control unit, (TRW)



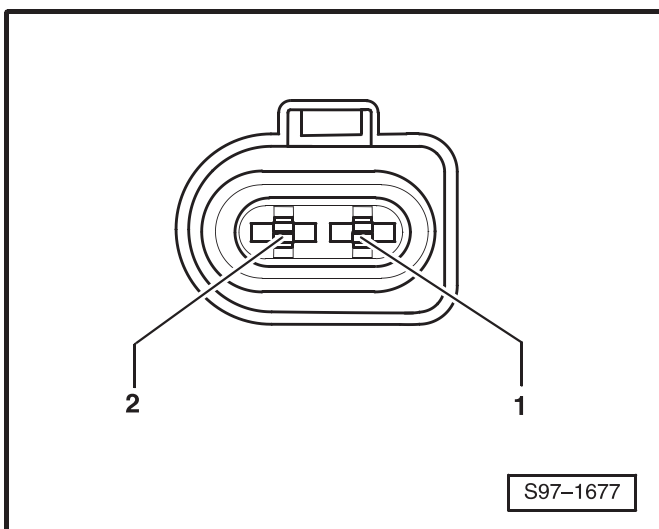
- 1 - T3s/1 Power-assisted steering sensor
- 2 - T3s/2 Power-assisted steering sensor
- 3 - T3s/3 Power-assisted steering sensor

**4-pin plug contact assignment of power-assisted steering control unit, (KOYO)**



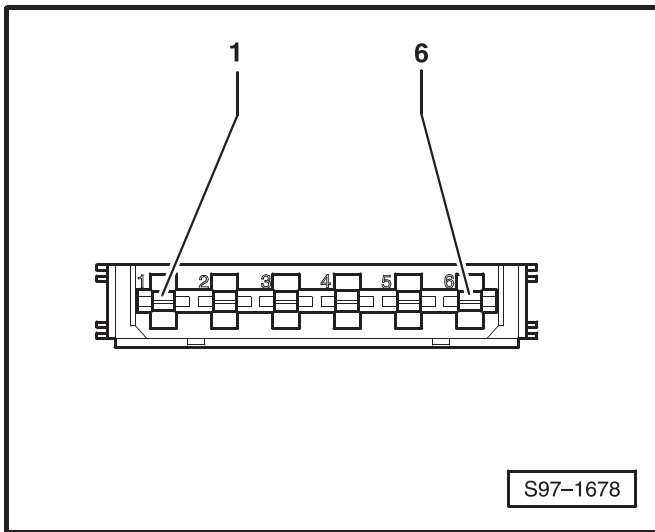
- 1 - T4z/1 Power-assisted steering sensor
- 2 - T4z/2 Power-assisted steering sensor
- 3 - T4z/3 Power-assisted steering sensor
- 4 - T4z/4 Power-assisted steering sensor

**2-pin plug contact assignment of power-assisted steering control unit (TRW, KOYO)**



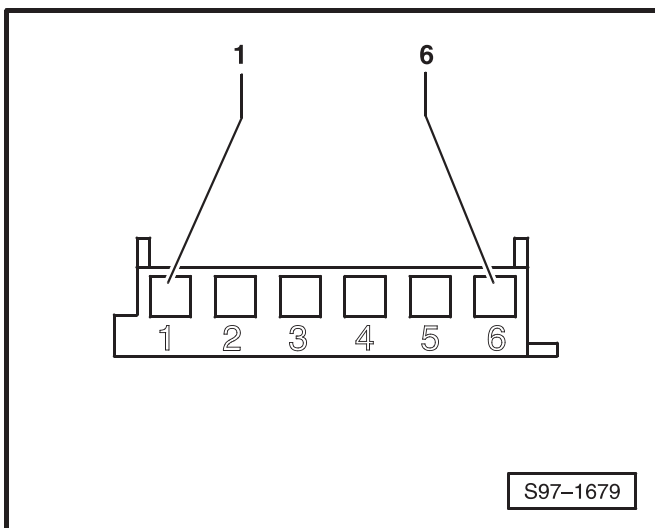
- 1 - T2a/1 Positive connection 30 via fuse S164 on battery
- 2 - T2a/2 Earth

## Plug contact assignment of control unit for adjusting the sliding roof



- 1 - T6e/1 Earth
- 2 - T6e/2 Vehicle voltage control unit
- 3 - T6e/3 Central control unit for convenience system (only for vehicles fitted with central locking)
- 4 - T6e/4 Positive connection 30a via fuse SB62

## Plug contact assignment of regulator for adjusting the sliding roof



- 1 - T6f/1 5 V voltage supply
- 2 - T6f/2 Earth
- 3 - T6f/3 Potentiometer
- 5 - T6f/5 Press function emergency closed
- 6 - T6f/6 Earth

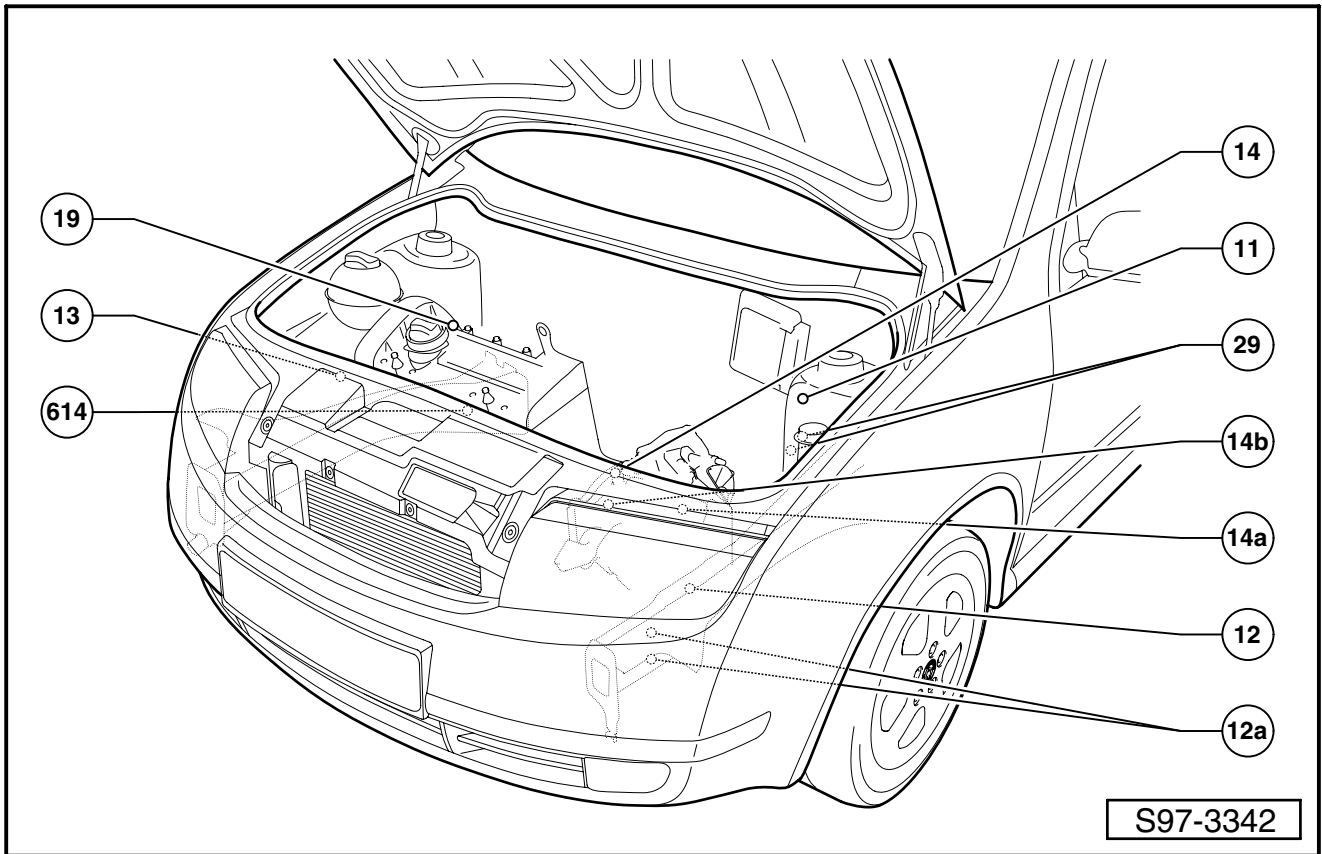


## Earth points

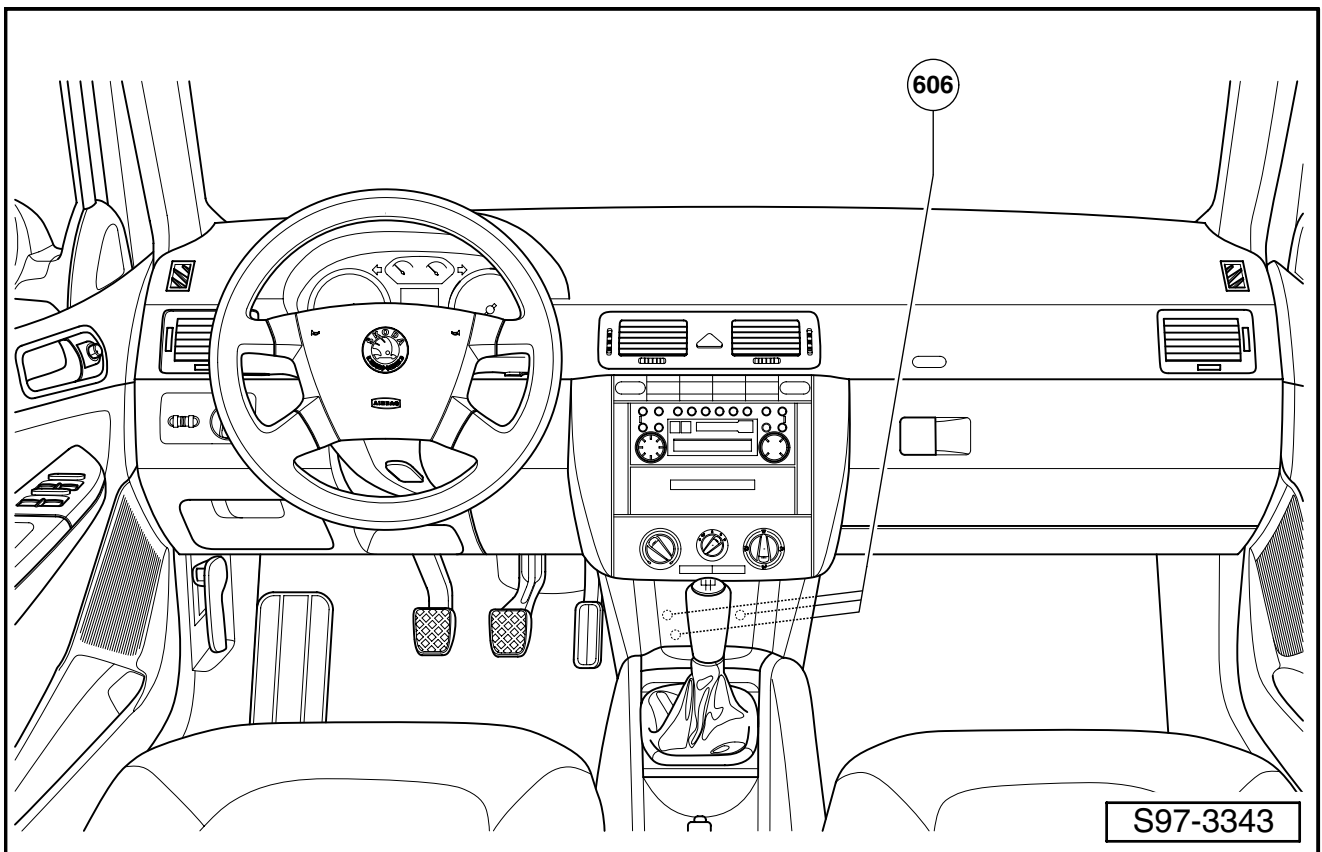
### Table of contents

- Overview of earth points in engine compartment .....	3/2
- Overview of earth points in interior compartment .....	3/2
- Overview of earth points in interior compartment .....	3/3
- Overview of earth points in luggage compartment - Fabia .....	3/3
- Overview of earth points in luggage compartment - Fabia Estate .....	3/4
- Overview of earth points in luggage compartment - Fabia Saloon .....	3/4

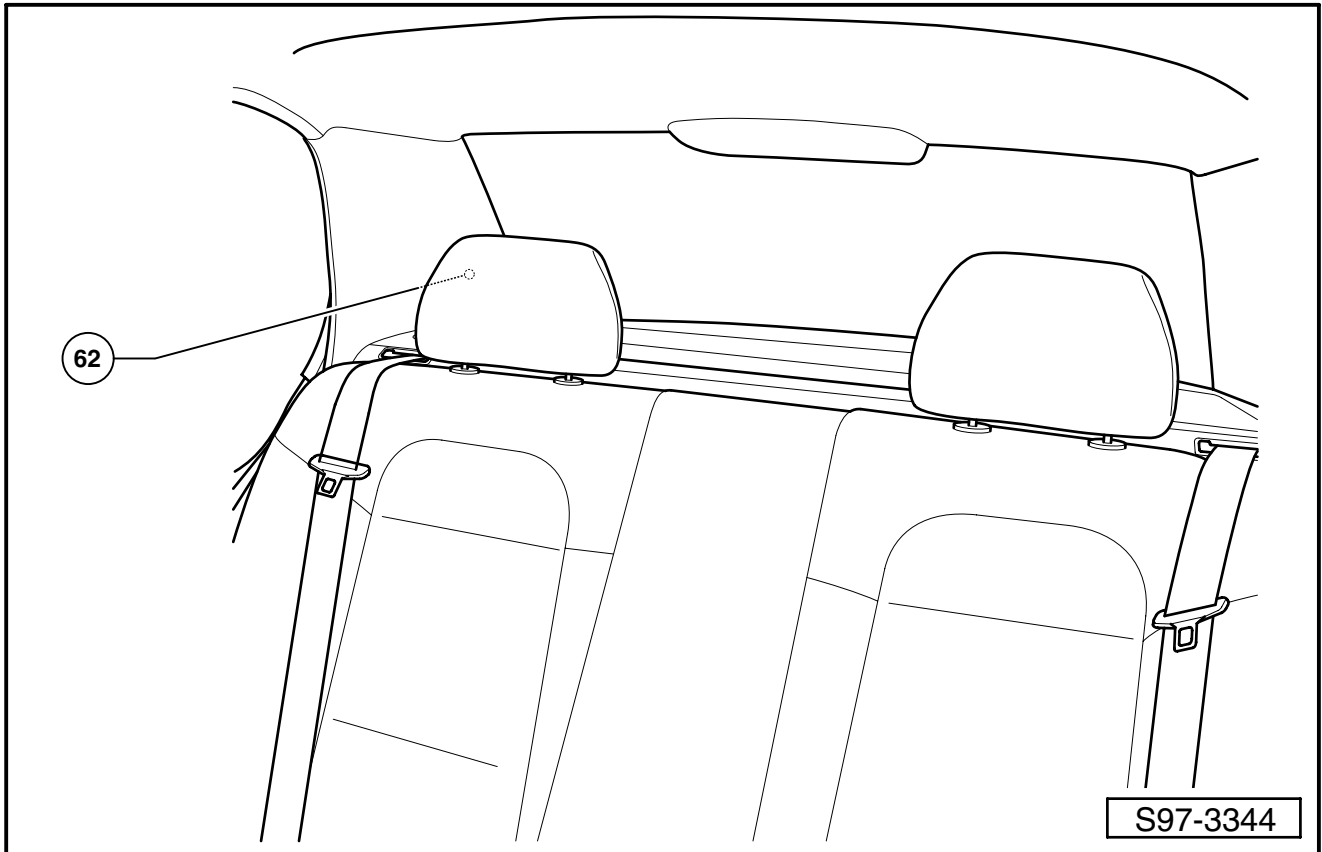
Overview of earth points in engine compartment



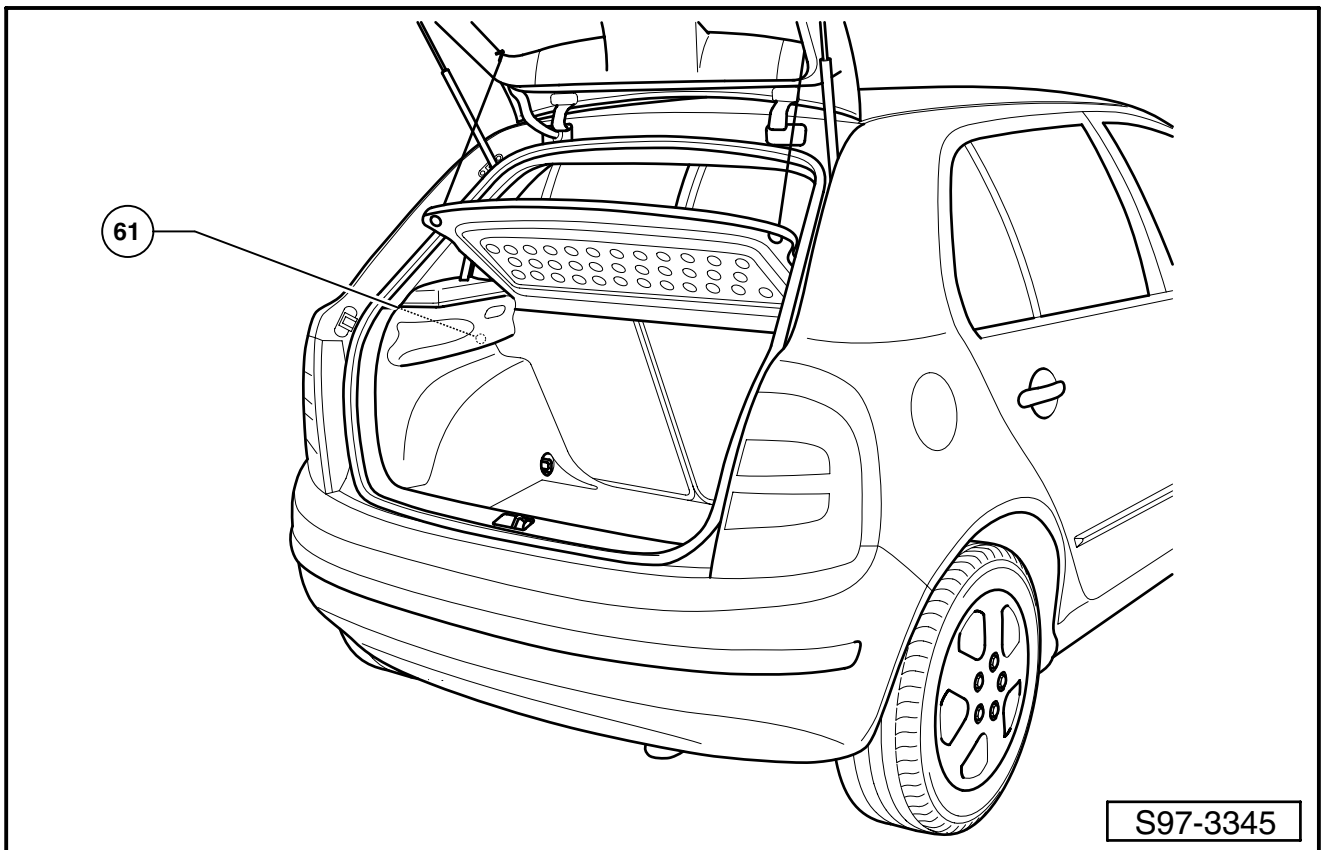
Overview of earth points in interior compartment



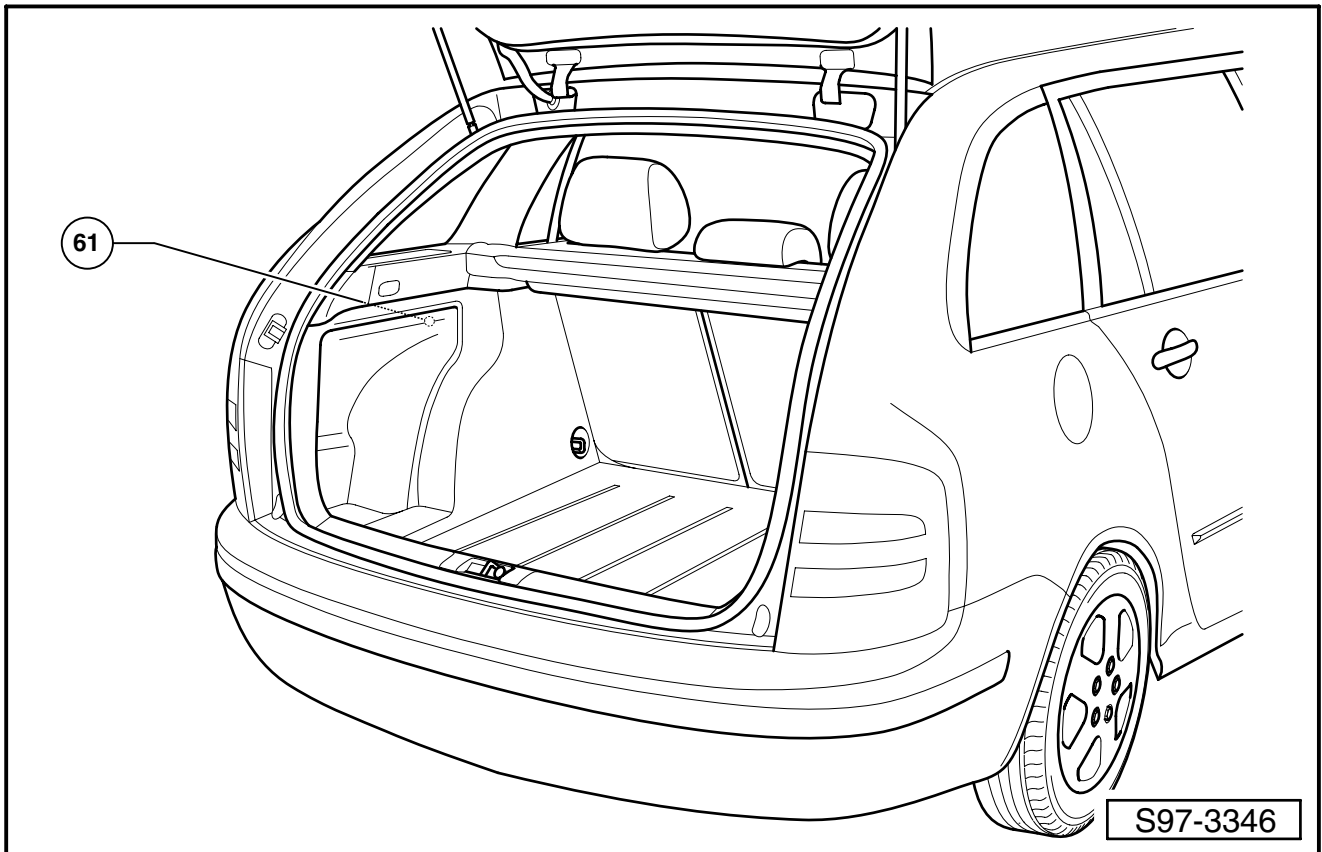
Overview of earth points in interior compartment



Overview of earth points in luggage compartment - Fabia



Overview of earth points in luggage compartment - Fabia Estate



Overview of earth points in luggage compartment - Fabia Saloon

