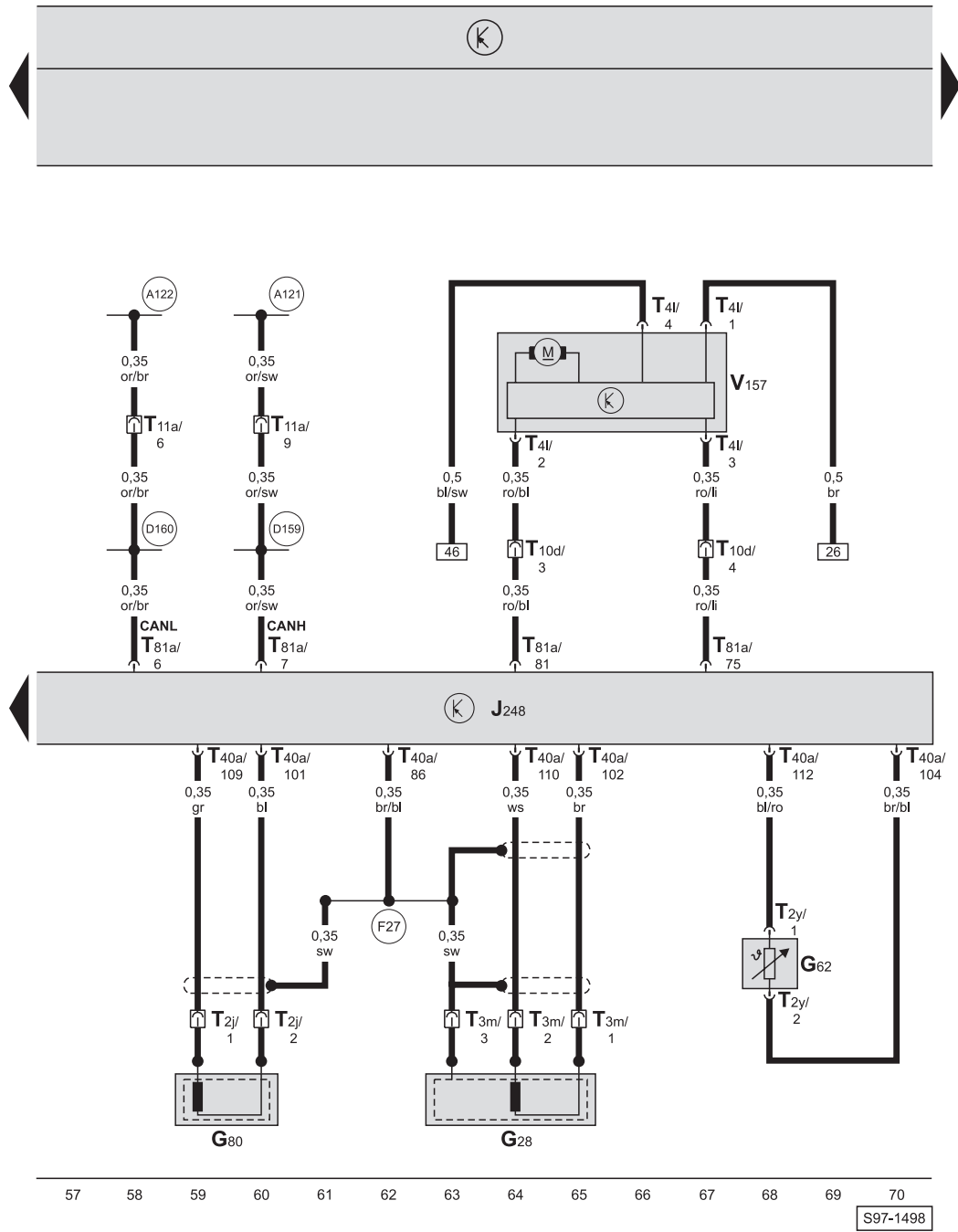


Diesel direct injection system control unit, engine speed sender, coolant temperature sender, needle motion sender

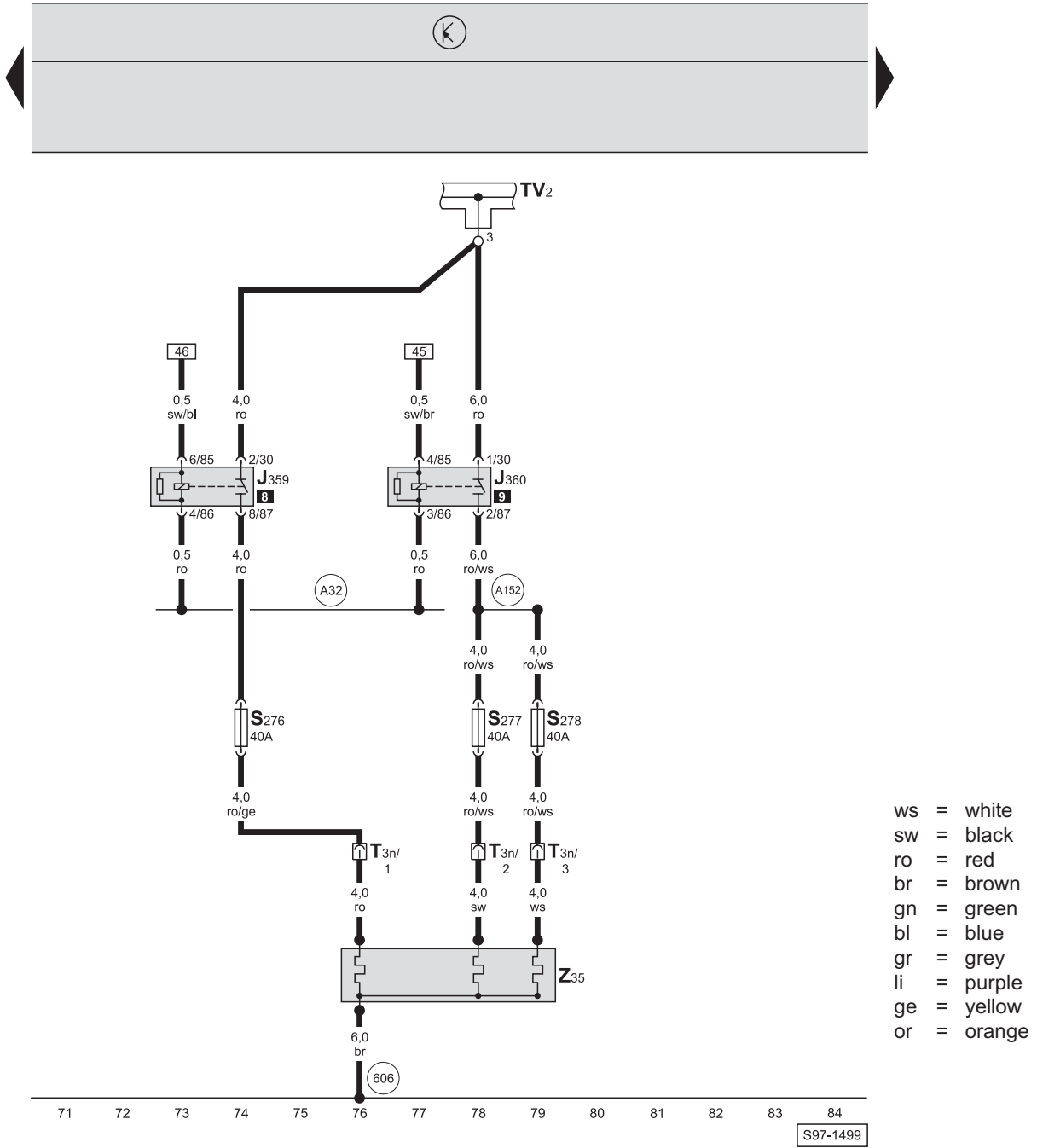


- ws = white
- sw = black
- ro = red
- br = brown
- gn = green
- bl = blue
- gr = grey
- li = purple
- ge = yellow
- or = orange

- G28 - Engine speed sender
- G62 - Coolant temperature sender
- G80 - Needle lift sender
- J248 - Diesel direct injection system control unit
- T2j - 2-pin connector, at needle lift sender
- T2y - 2-pin connector, at coolant temperature sender
- T3m - 3-pin connector, at engine speed sender
- T4l - 4-pin connector, at intake manifold flap motor
- T10d - 10-pin connector, in left of engine compartment (connection of engine assembly wiring loom/engine compartment wiring loom)
- T11a - 11-pin connector, at left of bulkhead (white)
- T40a - 40-pin connector, at engine control unit
- T81a - 81-pin connector, at engine control unit
- V157 - Intake manifold flap motor

- (A121) - Connection (CAN-H), in wiring loom behind dash panel on
- (A122) - Connection (CAN-L), in wiring loom behind dash panel
- (D159) - Connection (CAN-H), in engine compartment wiring loom
- (D160) - Connection (CAN-L), in engine compartment wiring loom
- (F27) - Connection (screening), in engine pre-wiring wiring harness

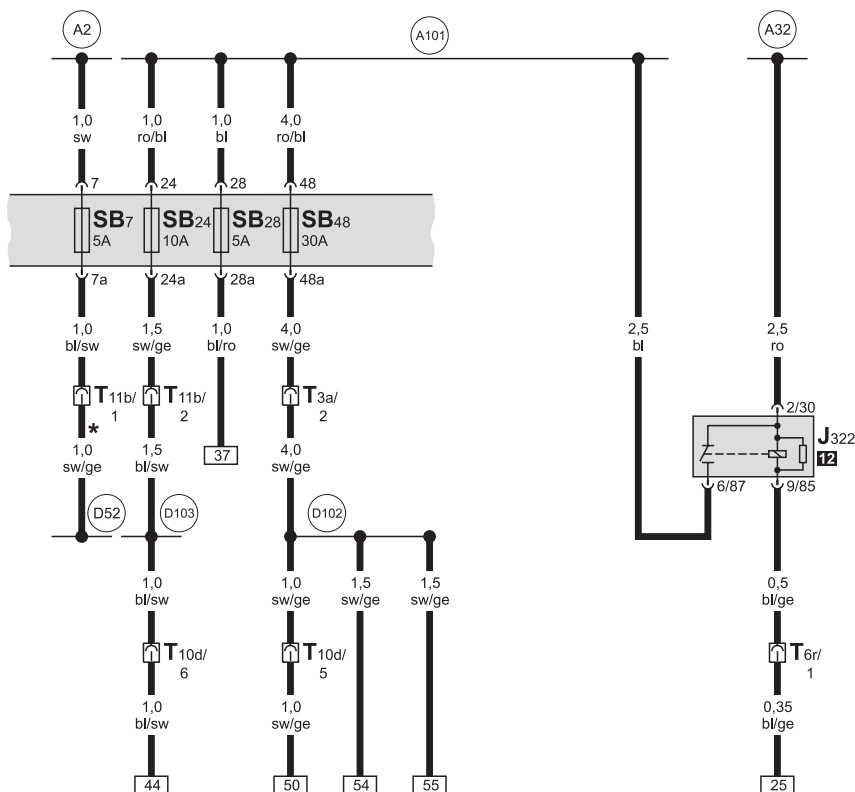
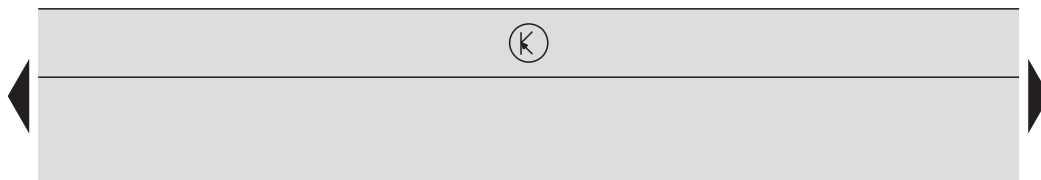
Low heating capacity relay, high heating capacity relay, heating element for additional heater (PTC), additional fuse holder



- J359 - Low heating capacity relay
- J360 - High heating capacity relay
- S276 - Fuse -1- for heating element
- S277 - Fuse -2- for heating element
- S278 - Fuse -3- for heating element
- T3n - 3-pin connector, behind dash panel (at PTC heating element)
- TV2 - Terminal 30 junction, behind dash panel on left
- Z35 - Additional heating heater element (PTC)

- 606 - Earth point, under the centre console, near gear stick
- A32 - Positive connection (30a), in wiring loom behind dash panel on left
- A152 - Connection (87), in wiring harness behind dash panel

Diesel direct injection system relay, fuse holder



- ws = white
- sw = black
- ro = red
- br = brown
- gn = green
- bl = blue
- gr = grey
- li = purple
- ge = yellow
- or = orange

85 86 87 88 89 90 91 92 93 94 95 96 97 98

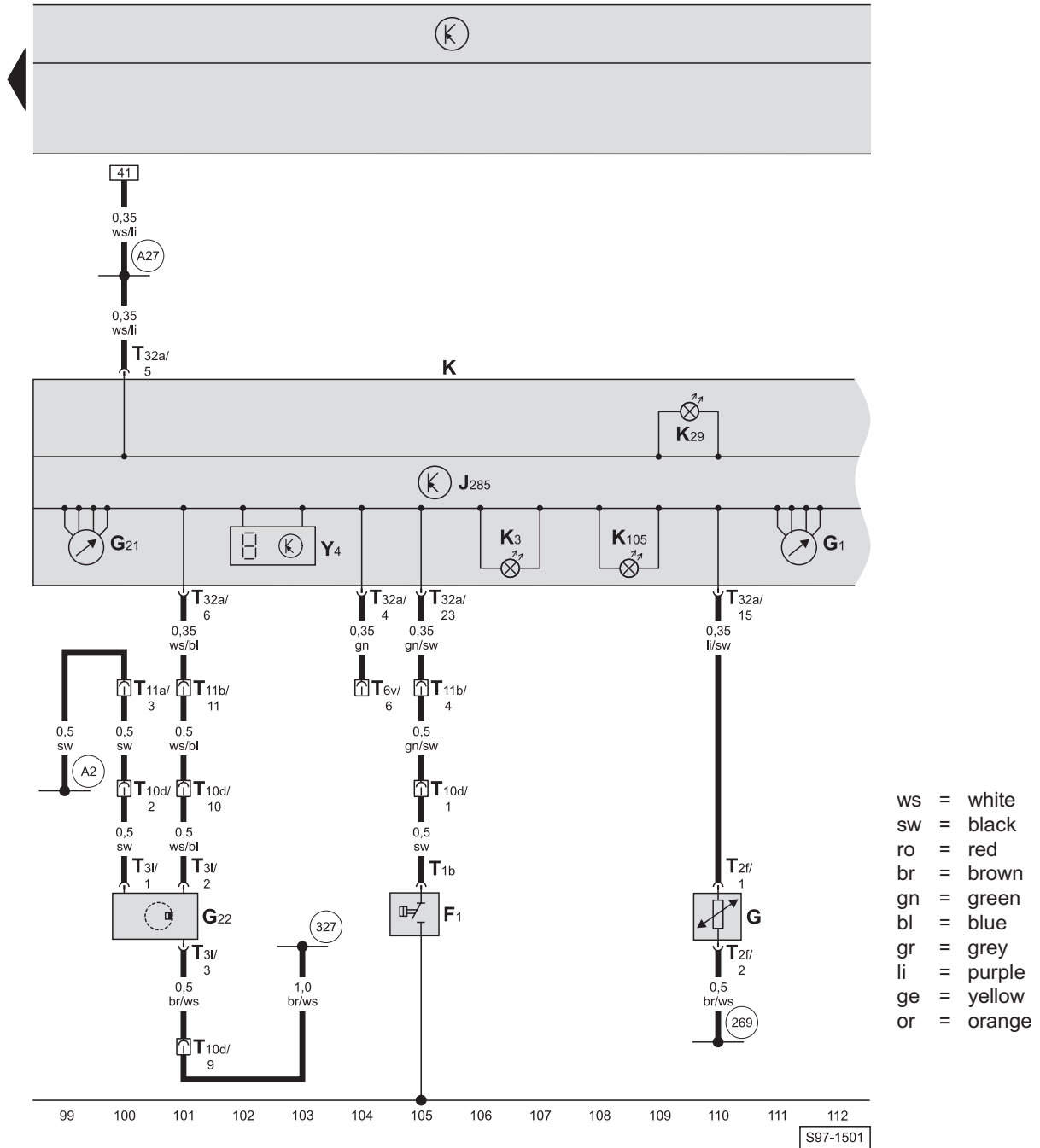
S97-1704

- J322 - Diesel direct injection system relay
- T3a - 3-pin connector, at left of bulkhead (grey)
- T6r - 6-pin connector, at left of bulkhead (brown)
- T10d - 10-pin connector, in left of engine compartment (connection of engine assembly wiring loom/engine compartment wiring loom)
- T11b - 11-pin connector, at left of bulkhead (red)

- (A2) - Positive connection (15), in wiring loom behind dash panel
- (A32) - Positive connection (30a), in wiring loom behind dash panel on left
- (A101) - Connection (87), in wiring loom behind dash panel
- (D52) - Positive connection (15a), in engine compartment wiring loom
- (D102) - Connection -2- (87a), in wiring loom in left of engine compartment
- (D103) - Connection -3- (87a), in engine compartment wiring loom

* - Applies only to models with power-assisted steering

Dash panel insert, control unit in dash panel insert, warning lights, oil pressure switch, fuel gauge sender, fuel pump, speedometer sender, fuel gauge, speedometer, odometer display



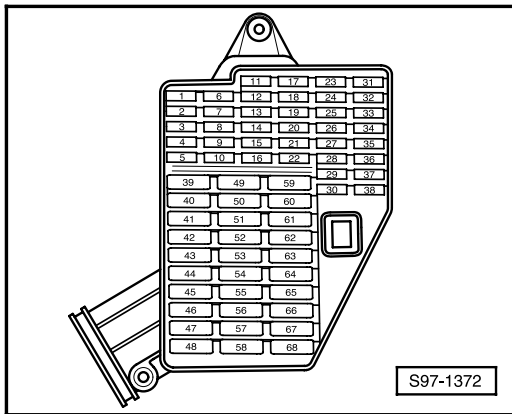
- F1 - Oil pressure switch
- G - Fuel gauge sender
- G1 - Fuel gauge
- G21 - Speedometer
- G22 - Speedometer sender
- J285 - Control unit in dash panel insert
- K - Dash panel insert
- K3 - Oil pressure warning lamp
- K29 - Glow period warning lamp
- K105 - Reserve fuel warning lamp
- T1b - 1-pin connector, at oil pressure switch
- T2f - 2-pin connector, at fuel gauge sender
- T3l - 3-pin connector, at speedometer sender
- T6v - 6-pin connector, at left of bulkhead (green)
- T10d - 10-pin connector, in left of engine compartment (connection of engine assembly wiring loom/engine compartment wiring loom)
- T11a - 11-pin connector, at left of bulkhead (white)
- T11b - 11-pin connector, at left of bulkhead (red)

- T32a - 32-pin connector, at dash panel insert
- Y4 - Odometer display
- (269) - Earth connection (sender earth) -1-, in wiring harness behind dash panel
- (327) - Earth connection (sender earth), in engine compartment wiring harness
- (A2) - Positive connection (15), in wiring loom behind dash panel
- (A27) - Connection (vehicle speed signal), in wiring loom behind dash panel

**1.0l - Simos 3 PA/37 kW, engine code AQV,
from August 1999 until January 2000**

**1.4l - Simos 3 PA/50 kW, engine code ATZ, AQW
from August 1999 until January 2000**

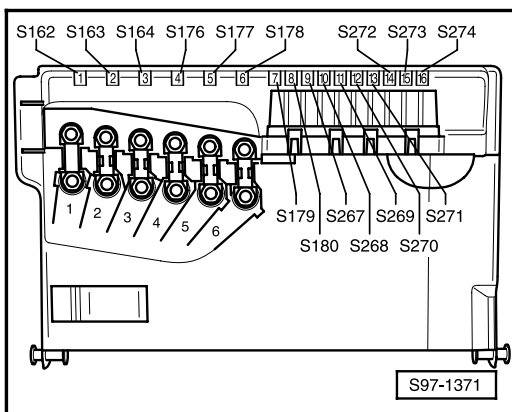
Fuse holder:



Fuse colours

- 30A - green
- 25A - white
- 20A - yellow
- 15A - blue
- 10A - red
- 7.5A - dark brown
- 5A - light brown

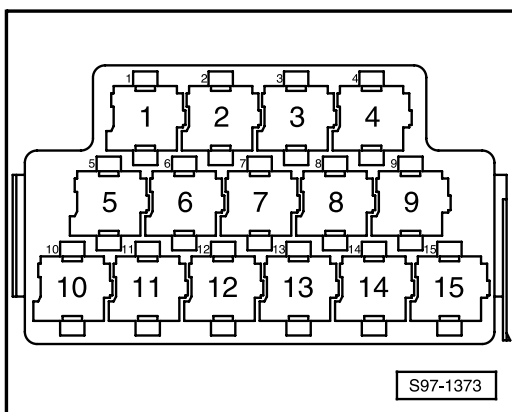
Fuse holder on battery:



Fuse colours

- 30A - green
- 25A - white
- 20A - yellow
- 15A - blue
- 10A - red
- 7.5A - dark brown
- 5A - light brown

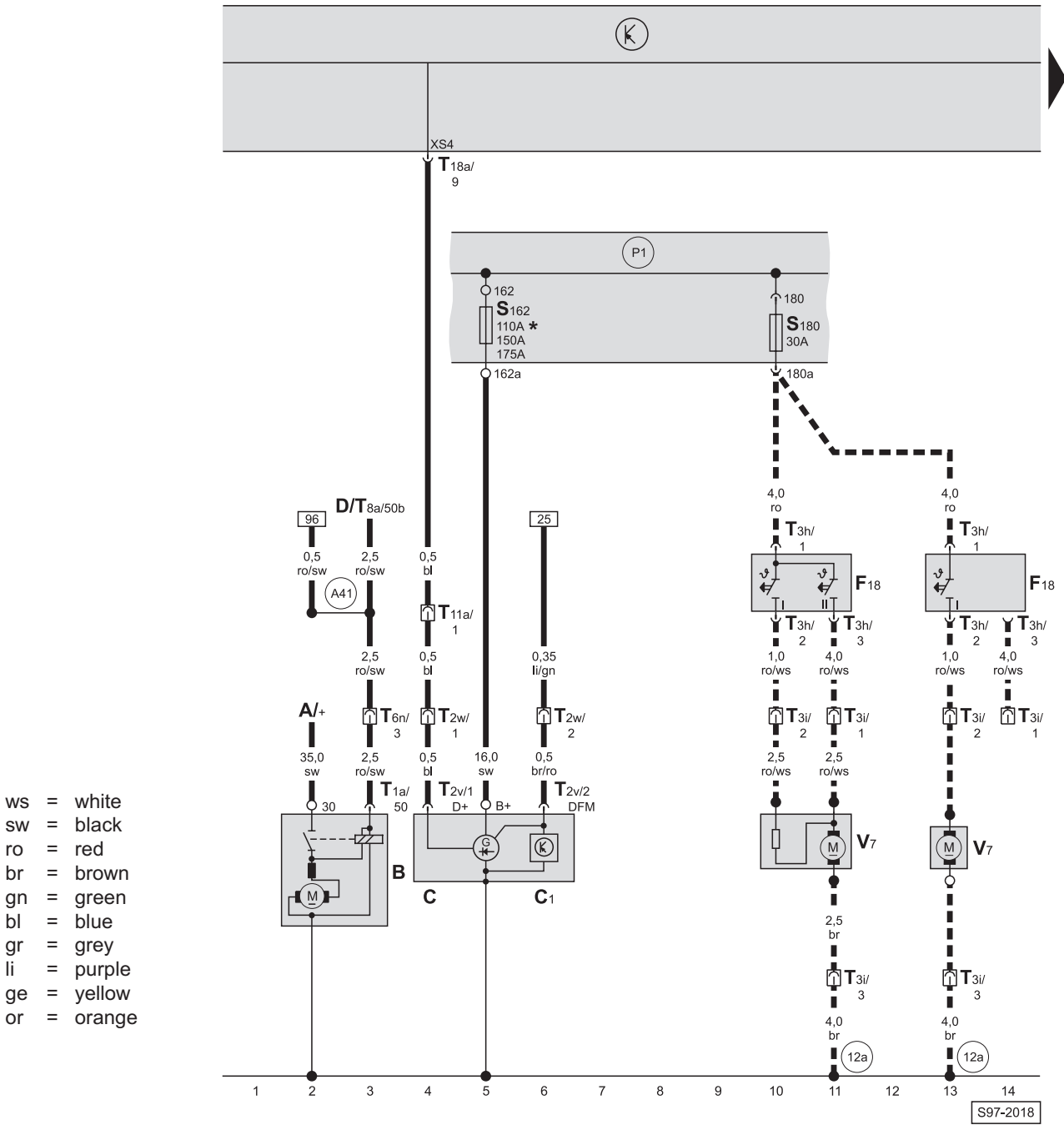
Relay holder:



Relay position assignment

- 15** - Fuel pump relay

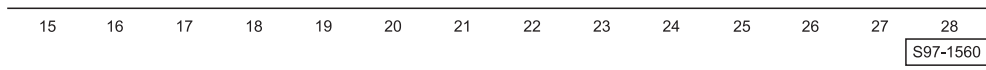
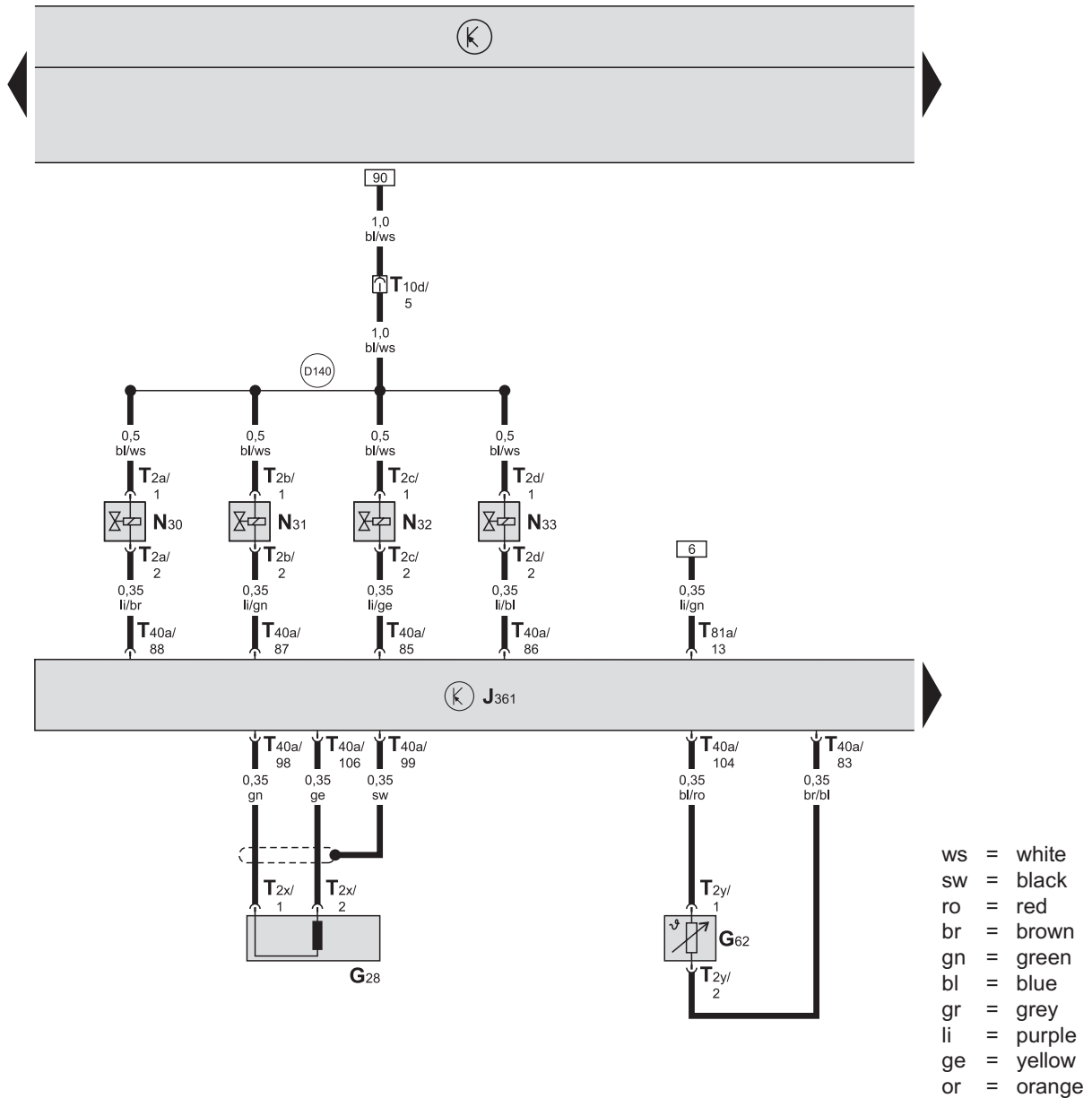
Starter, alternator, radiator fan, fuse holder on battery



- A - Battery
- B - Starter
- C - Alternator
- C1 - Voltage regulator
- D - Ignition/starter switch
- F18 - Radiator fan thermoswitch
- S162 - Fuse -1- (30), in fuse holder on battery
- S180 - Fuse -8- (30), in fuse holder on battery
- T1a - 1-pin connector, at starter
- T2v - 2-pin connector, at alternator
- T2w - 2-pin connector, in bracket at gearbox
- T3h - 3-pin connector, at radiator fan thermoswitch
- T3i - 3-pin connector, in bracket on left of radiator
- T6n - 6-pin connector, at left of bulkhead (blue)
- T8a - 8-pin connector, at ignition/starter switch
- T11a - 11-pin connector, at left of bulkhead (white)
- T18a - 18-pin connector, at electrical system control unit (brown)
- V7 - Radiator fan

- 12a - Earth point -2-, in engine compartment, on left below battery (at side member)
- A41 - Positive connection (50), in wiring loom behind dash panel
- P1 - Positive connection (30), in fuse holder on battery
- * - Varies according to optional equipment
- - Thermoswitch and radiator fan vary according to optional equipment (does not apply to models with air conditioning)

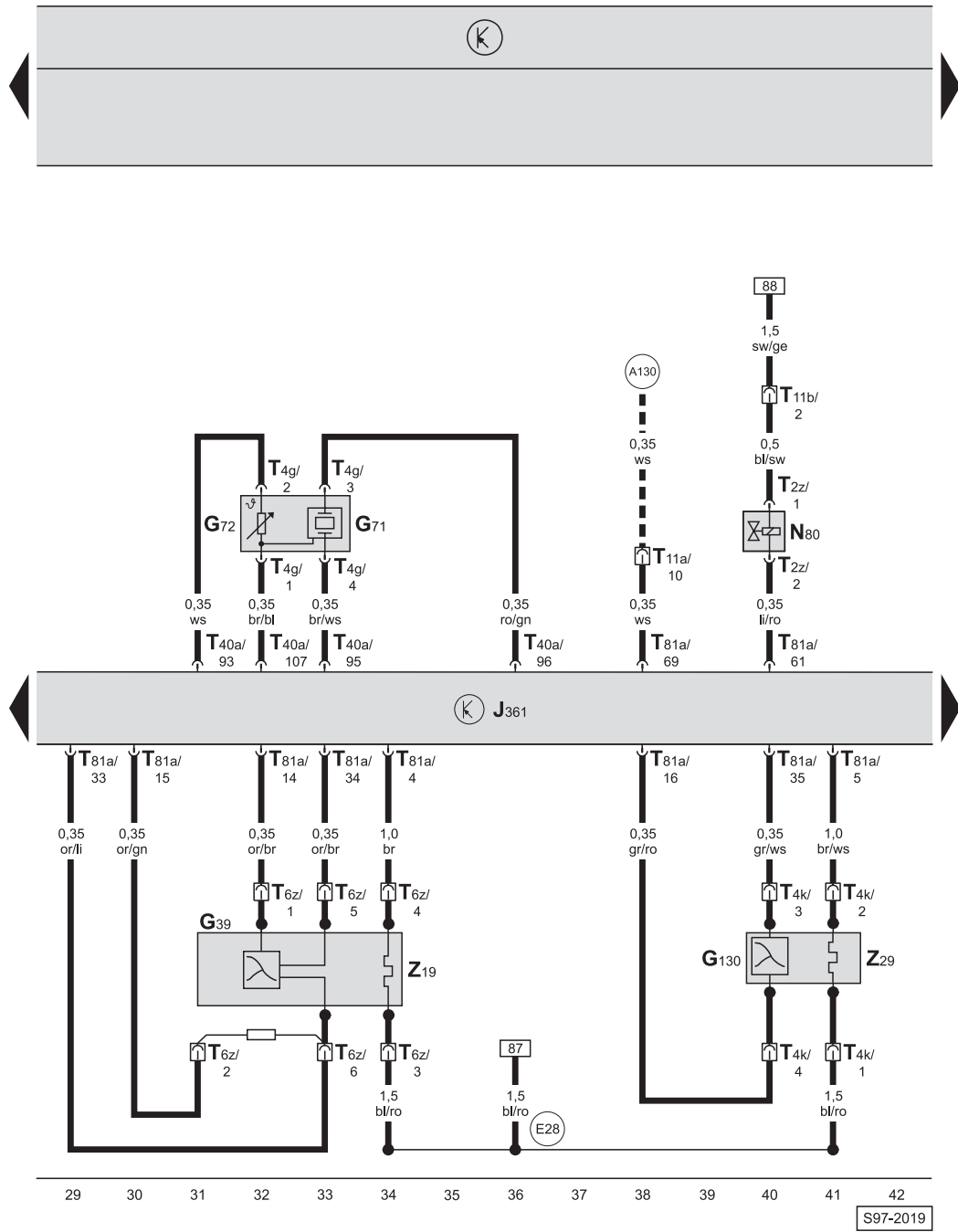
Simos control unit, injectors, engine speed sender, coolant temperature sender



- G28 - Engine speed sender
- G62 - Coolant temperature sender
- J361 - Simos control unit
- N30 - Injector cylinder 1
- N31 - Injector cylinder 2
- N32 - Injector cylinder 3
- N33 - Injector cylinder 4
- T2a - 2-pin connector, at injector cylinder 1
- T2b - 2-pin connector, at injector cylinder 2
- T2c - 2-pin connector, at injector cylinder 3
- T2d - 2-pin connector, at injector cylinder 4
- T2x - 2-pin connector, at engine speed sender
- T2y - 2-pin connector, at coolant temperature sender
- T10d - 10-pin connector, in left of engine compartment (connection of engine assembly wiring loom/engine compartment wiring loom)
- T40a - 40-pin connector, at engine control unit

(D140) - Connection (injectors), in engine assembly wiring loom

Simos control unit, lambda probe, lambda probe downstream of catalytic converter, intake manifold pressure and intake manifold temperature sender, activated charcoal filter system solenoid valve



- ws = white
- sw = black
- ro = red
- br = brown
- gn = green
- bl = blue
- gr = grey
- li = purple
- ge = yellow
- or = orange

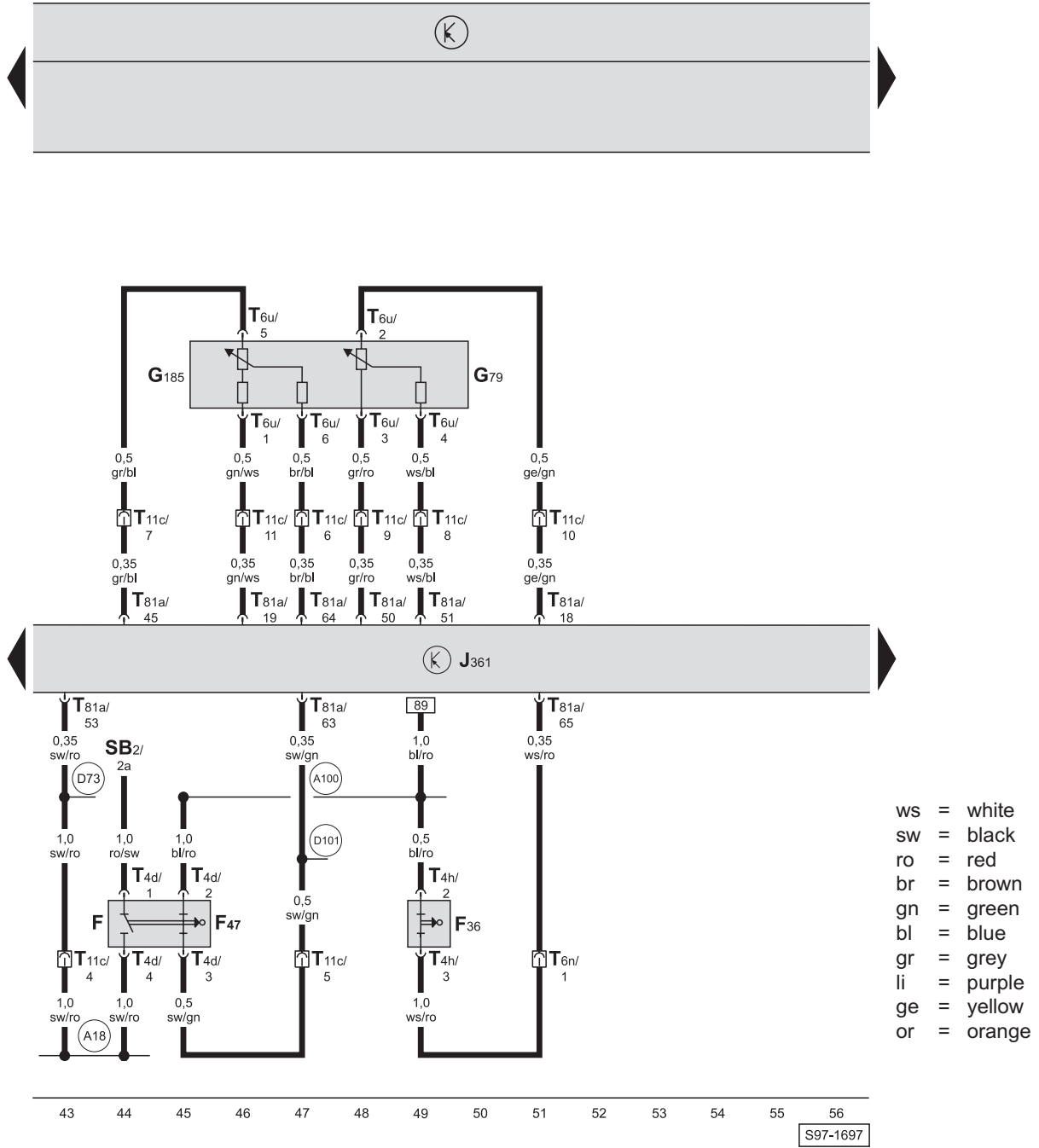
- G39 - Lambda probe
- G71 - Intake manifold pressure sender
- G72 - Intake manifold temperature sender
- G130 - Lambda probe downstream of catalytic converter
- J361 - Simos control unit
- N80 - Activated charcoal filter system solenoid valve
- T2z - 2-pin connector, at activated charcoal filter system solenoid valve
- T4g - 4-pin connector, at intake manifold pressure and intake manifold temperature sender
- T4k - Connector, 4-pin, close to lambda probe downstream of catalytic converter
- T6z - 6-pin connector, close to lambda probe
- T11a - 11-pin connector, at left of bulkhead (white)
- T11b - 11-pin connector, at left of bulkhead (red)
- T40a - 40-pin connector, at engine control unit
- T81a - 81-pin connector, at engine control unit
- Z19 - Lambda probe heater
- Z29 - Lambda probe heater downstream of catalytic converter

- (A130) - Connection (CCS), in wiring loom behind dash panel on left
- (E28) - Connection (lambda probe heater), in engine compartment wiring loom

■ ■ ■ - Applies only to models with CCS

S97-2019

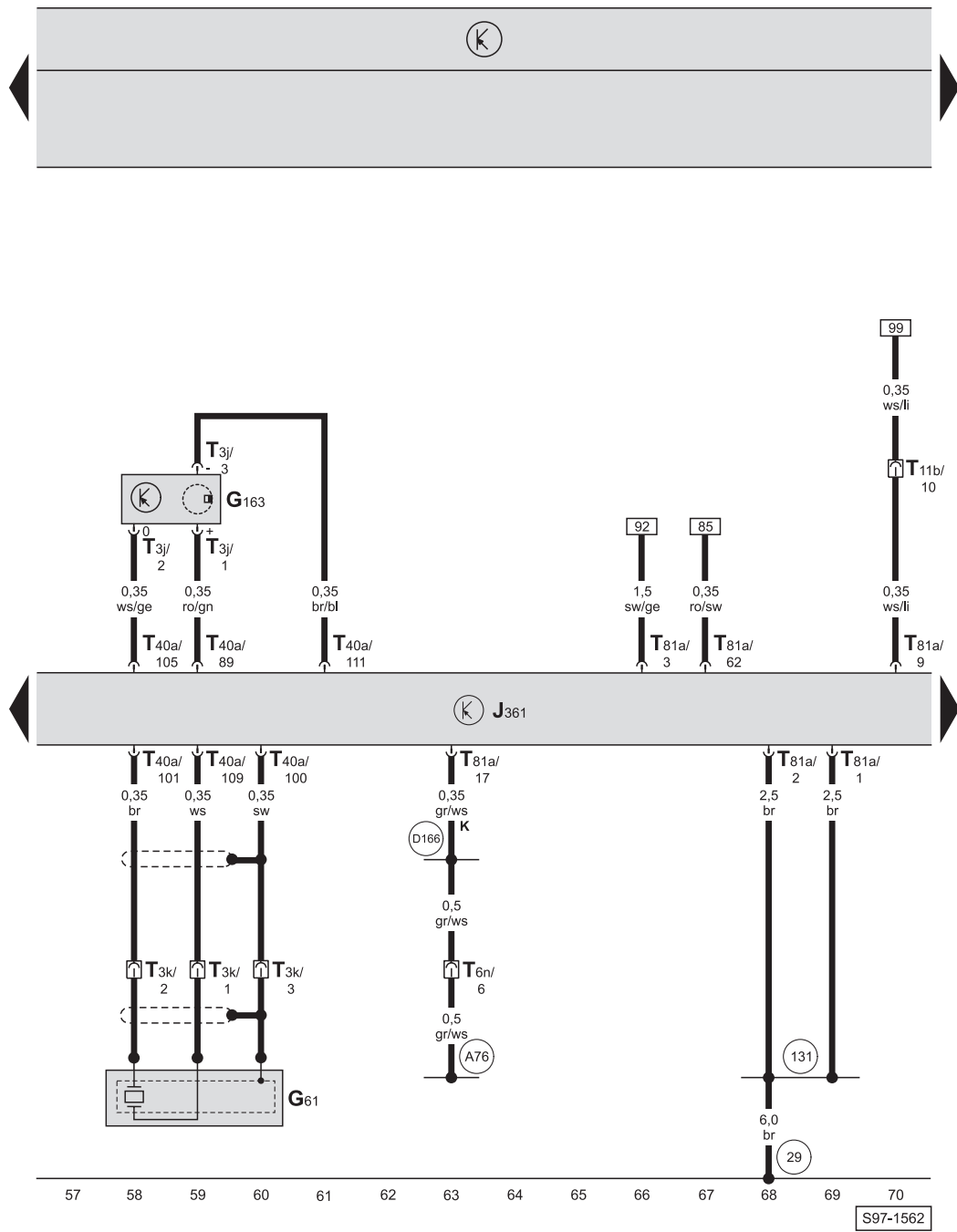
Simos control unit, accelerator pedal position sender, brake pedal switch, clutch pedal switch



- F - Brake light switch
- F36 - Clutch pedal switch
- F47 - Brake pedal switch
- G79 - Accelerator position sender
- G185 - Accelerator pedal position sender -2-
- J361 - Simos control unit
- SB2 - Fuse, in fuse holder
- T4d - 4-pin connector, at brake pedal switch
- T4h - 4-pin connector, at clutch pedal switch
- T6n - 6-pin connector, at left of bulkhead (blue)
- T6u - 6-pin connector, at accelerator pedal position sender
- T11c - 11-pin connector, at left of bulkhead (blue)
- T81a - 81-pin connector, at engine control unit

- (A18) - Connection (54), in wiring loom behind dash panel
- (A100) - Connection (87a), in wiring loom behind dash panel
- (D73) - Connection (54), in left of engine compartment wiring loom
- (D101) - Connection (brake pedal switch), in engine compartment wiring loom

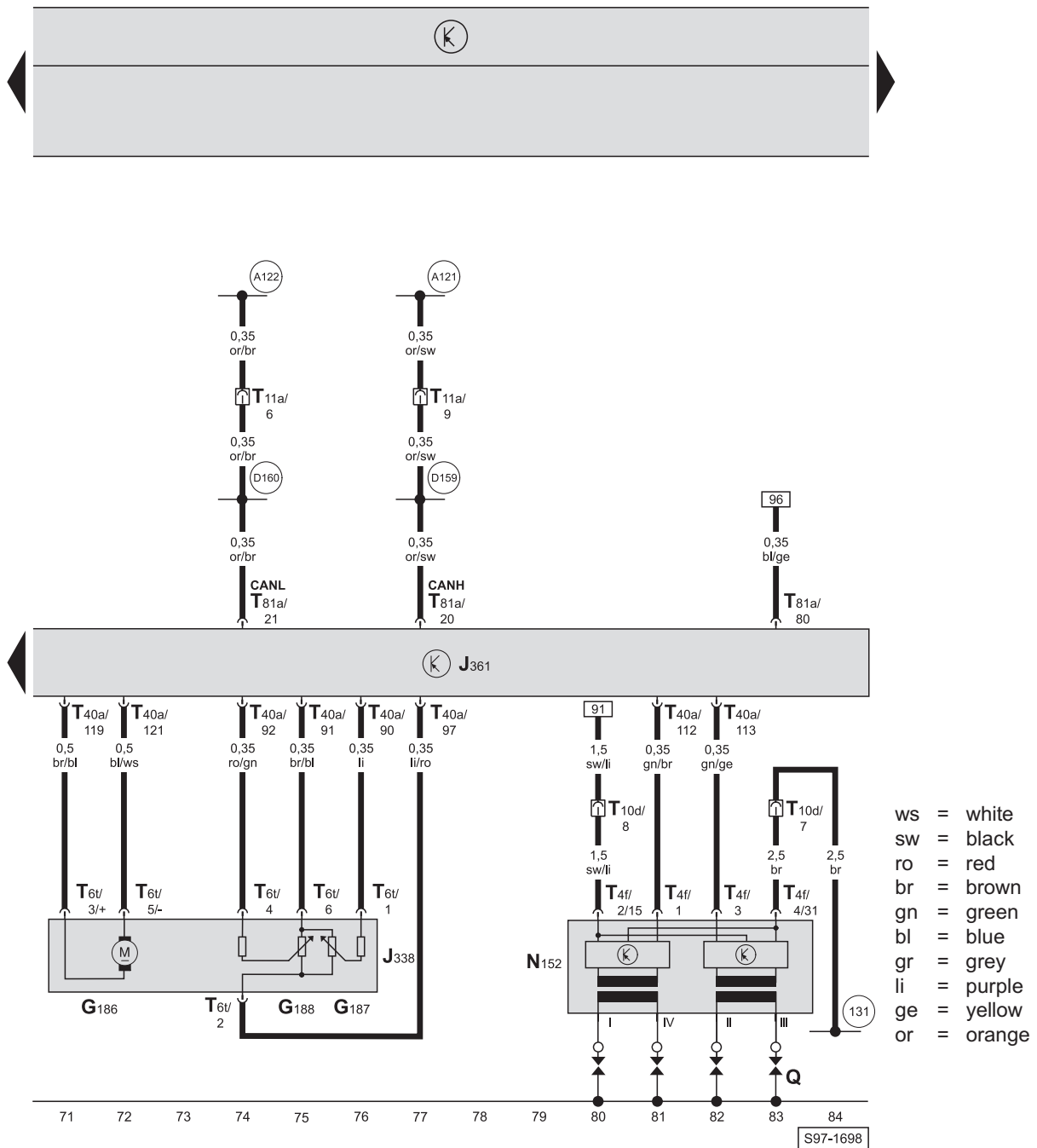
Simos control unit, knock sensor I, camshaft position sender



- G61 - Knock sensor
- G163 - Camshaft position sender
- J361 - Simos control unit
- T3j - 3-pin connector, at camshaft position sender
- T3k - 3-pin connector, at knock sensor I
- T6n - 6-pin connector, at left of bulkhead (blue)
- T11b - 11-pin connector, at left of bulkhead (red)
- T40a - 40-pin connector, at engine control unit
- T81a - 81-pin connector, at engine control unit

- 29 - Earth point, in left of engine compartment, behind battery (at suspension strut mounting)
- 131 - Earth connection -2-, in engine compartment wiring harness
- A76 - Connection (K diagnosis wire), in wiring loom behind dash panel on left
- D166 - Connection (K diagnosis wire), in engine compartment wiring loom

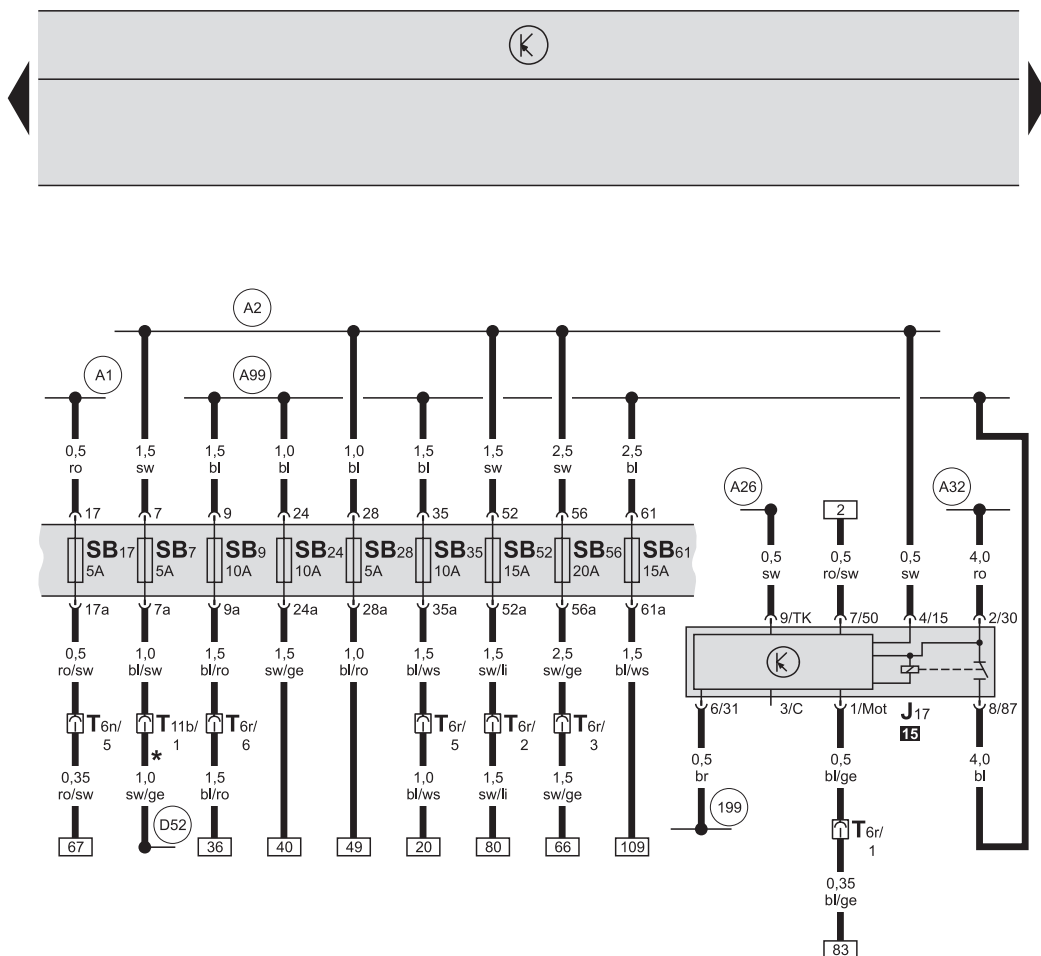
Simos control unit, throttle valve control unit, ignition system



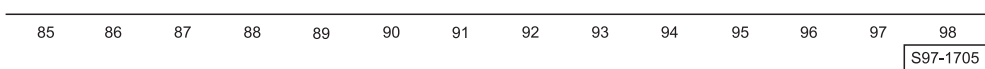
- G186 - Throttle valve drive (electric throttle operation)
- G187 - Angle sender -1- for throttle valve drive (electric throttle operation)
- G188 - Angle sender -2- for throttle valve drive (electric throttle operation)
- J338 - Throttle valve control unit
- J361 - Simos control unit
- N152 - Ignition transformer (ignition terminal strip)
- Q - Spark plugs
- T4f - 4-pin connector, at ignition transformer (ignition terminal strip)
- T6t - 6-pin connector, at throttle valve control unit
- T10d - 10-pin connector, in left of engine compartment (connection of engine assembly wiring loom/engine compartment wiring loom)
- T11a - 11-pin connector, at left of bulkhead (white)
- T40a - 40-pin connector, at engine control unit
- T81a - 81-pin connector, at engine control unit

- 131 - Earth connection -2-, in engine compartment wiring harness
- A121 - Connection (CAN-H), in wiring loom behind dash panel on
- A122 - Connection (CAN-L), in wiring loom behind dash panel
- D159 - Connection (CAN-H), in engine compartment wiring loom
- D160 - Connection (CAN-L), in engine compartment wiring loom

Fuel pump relay, fuse holder



- ws = white
- sw = black
- ro = red
- br = brown
- gn = green
- bl = blue
- gr = grey
- li = purple
- ge = yellow
- or = orange

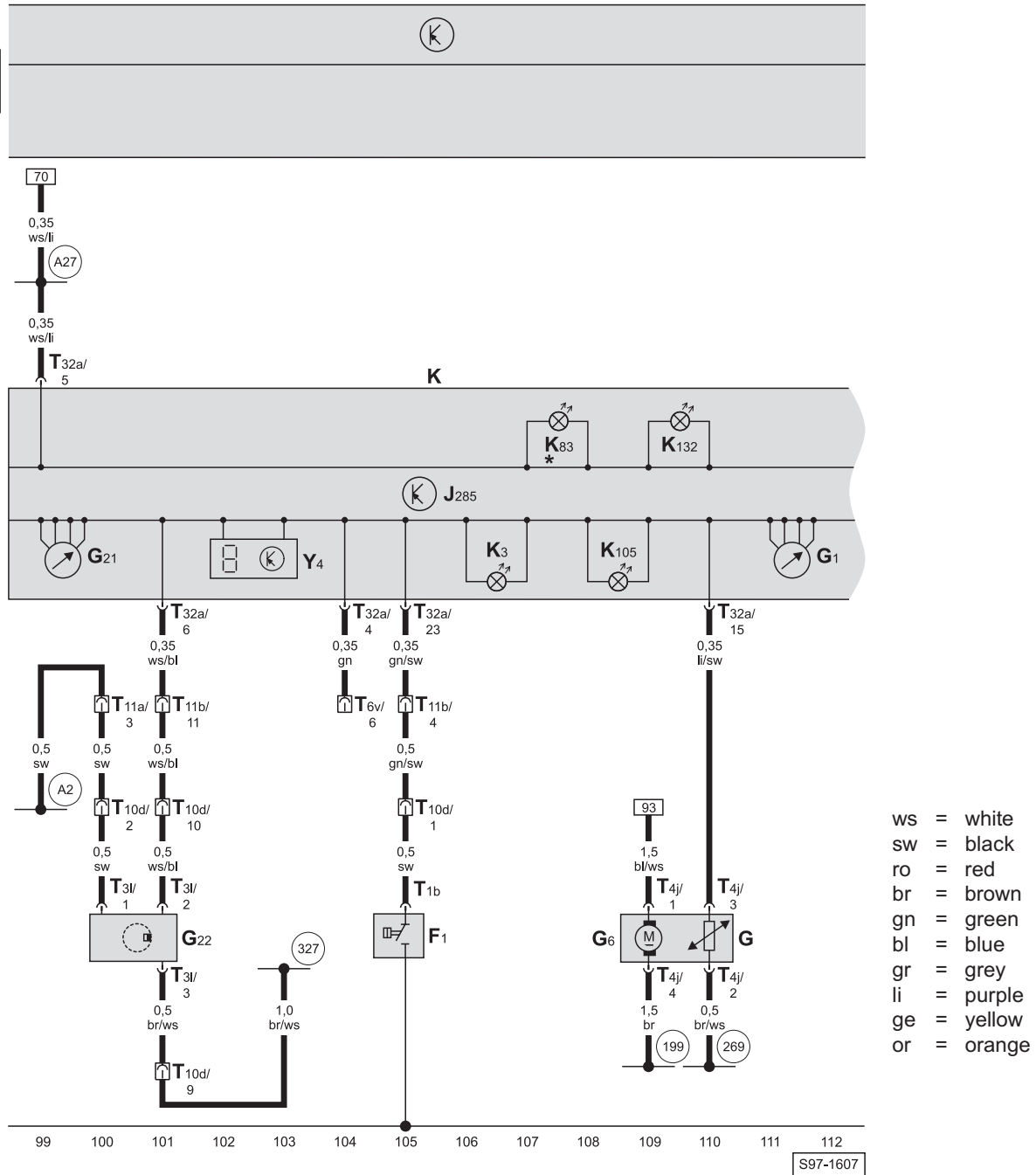


- J17 - Fuel pump relay
- T6n - 6-pin connector, at left of bulkhead (blue)
- T6r - 6-pin connector, at left of bulkhead (brown)
- T11b - 11-pin connector, at left of bulkhead (red)

- (199) - Earth connection, in wiring harness behind dash panel
- (A1) - Positive connection (30a), in wiring loom behind dash panel
- (A2) - Positive connection (15), in wiring loom behind dash panel
- (A26) - Connection (left front door contact switch), in wiring loom behind dash panel
- (A32) - Positive connection (30a), in wiring loom behind dash panel on left
- (A99) - Connection (87), in wiring loom behind dash panel
- (D52) - Positive connection (15a), in engine compartment wiring loom

* - Applies only to models with power-assisted steering

Dash panel insert, control unit in dash panel insert, warning lights, oil pressure switch, fuel gauge sender, fuel pump, speedometer sender, fuel gauge, speedometer, odometer display



- ws = white
- sw = black
- ro = red
- br = brown
- gn = green
- bl = blue
- gr = grey
- li = purple
- ge = yellow
- or = orange

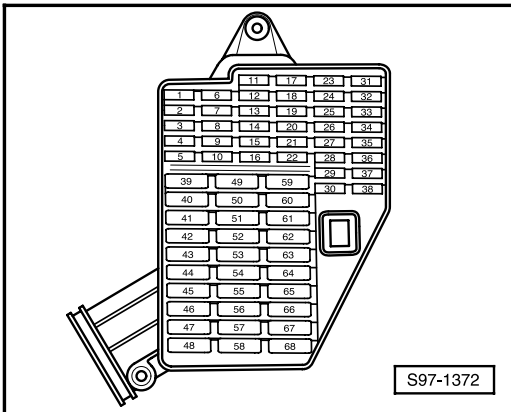
- F1 - Oil pressure switch
- G - Fuel gauge sender
- G1 - Fuel gauge
- G6 - Fuel pump
- G21 - Speedometer
- G22 - Speedometer sender
- J285 - Control unit in dash panel insert
- K - Dash panel insert
- K3 - Oil pressure warning lamp
- K83 - Exhaust gas warning lamp
- K105 - Reserve fuel warning lamp
- K132 - Electric throttle control fault lamp
- T1b - 1-pin connector, at oil pressure switch
- T3l - 3-pin connector, at speedometer sender
- T4j - 4-pin connector, at fuel pump
- T6v - 6-pin connector, at left of bulkhead (green)
- T10d - 10-pin connector, in left of engine compartment (connection of engine assembly wiring loom/engine compartment wiring loom)
- T11a - 11-pin connector, at left of bulkhead (white)
- T11b - 11-pin connector, at left of bulkhead (red)

- T32a - 32-pin connector, at dash panel insert
- Y4 - Odometer display
- 199 - Earth connection, in wiring harness behind dash panel
- 269 - Earth connection (sender earth) -1-, in wiring harness behind dash panel
- 327 - Earth connection (sender earth), in engine compartment wiring harness
- A2 - Positive connection (15), in wiring loom behind dash panel
- A27 - Connection (vehicle speed signal), in wiring loom behind dash panel
- * - does not apply to engine code ATZ

Anti-lock brake system (ABS)

Anti-lock brake system (ABS) with electronic differential lock (EDL) and traction control system (TCS) from August 1999

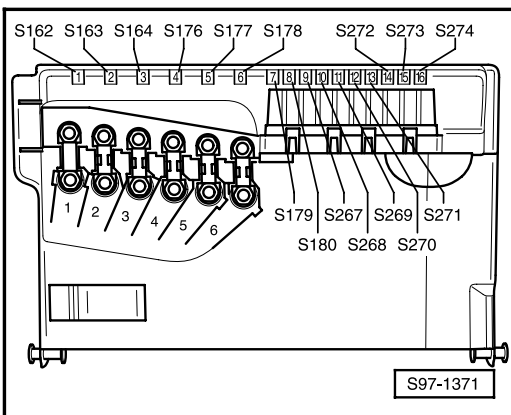
Fuse holder:



Fuse colours

- 30A - green
- 25A - white
- 20A - yellow
- 15A - blue
- 10A - red
- 7.5A - dark brown
- 5A - light brown

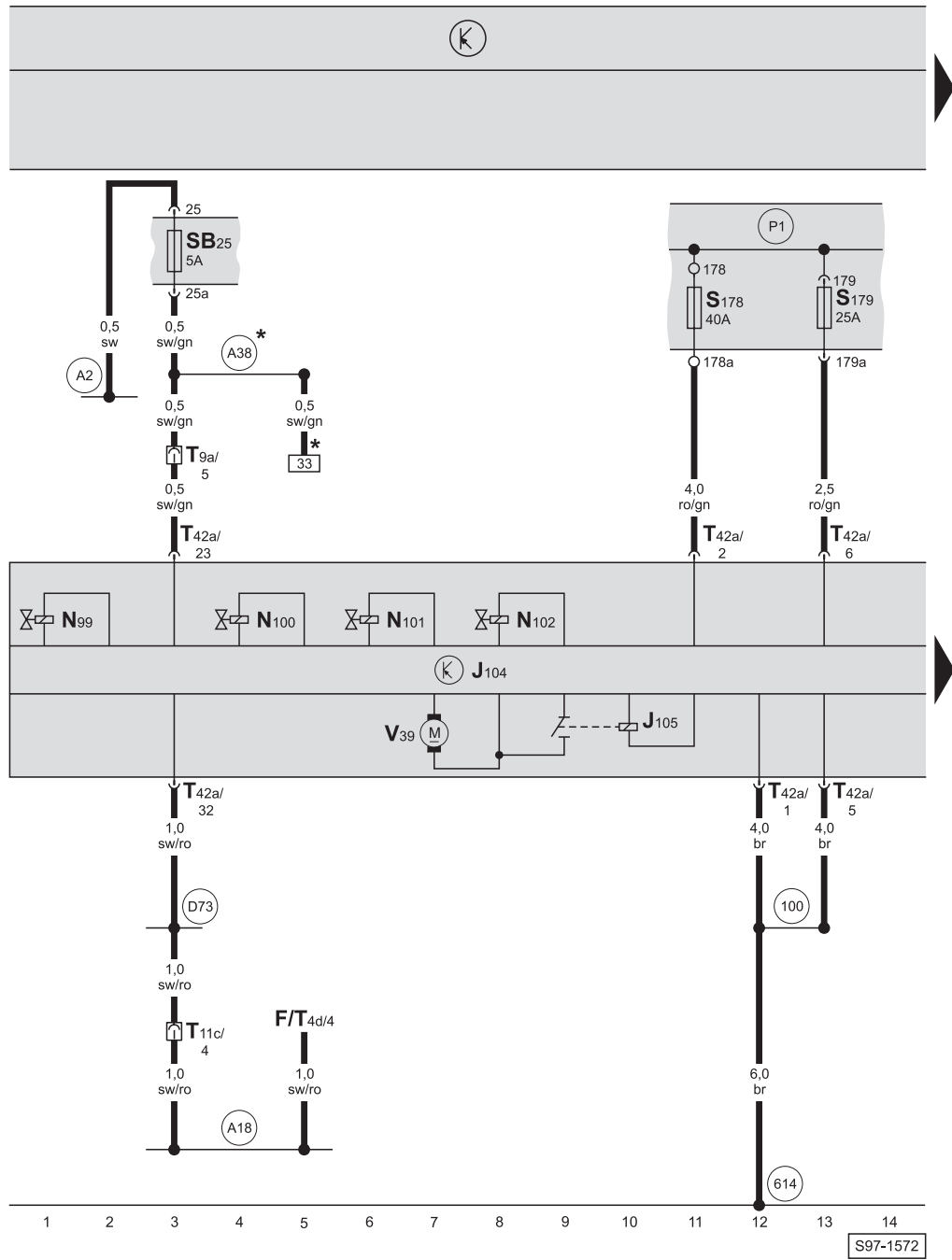
Fuse holder on battery:



Fuse colours

- 30A - green
- 25A - white
- 20A - yellow
- 15A - blue
- 10A - red
- 7.5A - dark brown
- 5A - light brown

ABS/ABS with EDL and TCS control unit, fuse holder on battery, fuse holder

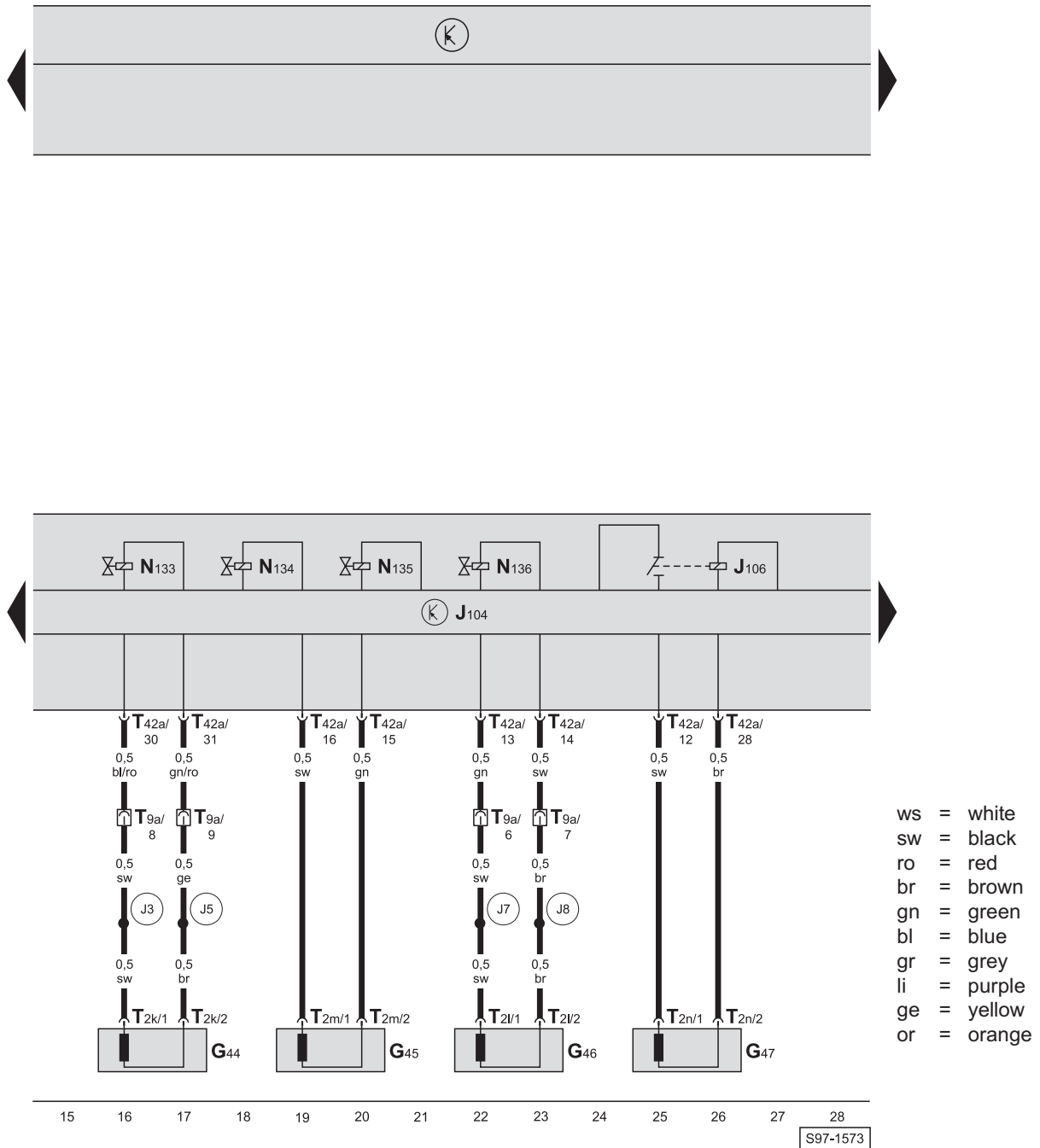


- ws = white
- sw = black
- ro = red
- br = brown
- gn = green
- bl = blue
- gr = grey
- li = purple
- ge = yellow
- or = orange

- F - Brake light switch
- J104 - ABS/ABS with EDL and TCS control unit
- J105 - Return delivery pump relay- ABS
- N99 - ABS inlet valve, front right
- N100 - ABS outlet valve, front right
- N101 - ABS inlet valve, front left
- N102 - ABS outlet valve, front left
- S178 - Fuse -6- (30), in fuse holder on battery
- S179 - Fuse -7- (30), in fuse holder on battery
- T4d - 4-pin connector, at brake pedal switch
- T9a - Connector, 9-pin, at left of bulkhead (yellow)
- T11c - 11-pin connector, at left of bulkhead (blue)
- T42a - Connector, 42-pin, at ABS/ABS with EDL and TCS control unit
- V39 - ABS return delivery pump

- 100 - Earth connection (ABS), in engine compartment wiring loom
- 614 - Earth point -2-, in rear right of engine compartment
- A2 - Positive connection (15), in wiring loom behind dash panel
- A18 - Connection (54), in wiring loom behind dash panel
- A38 - Positive connection -2- (15a), in wiring loom behind dash panel
- D73 - Connection (54), in left of engine compartment wiring loom
- P1 - Positive connection (30), in fuse holder on battery
- * - Applies only to models with TCS

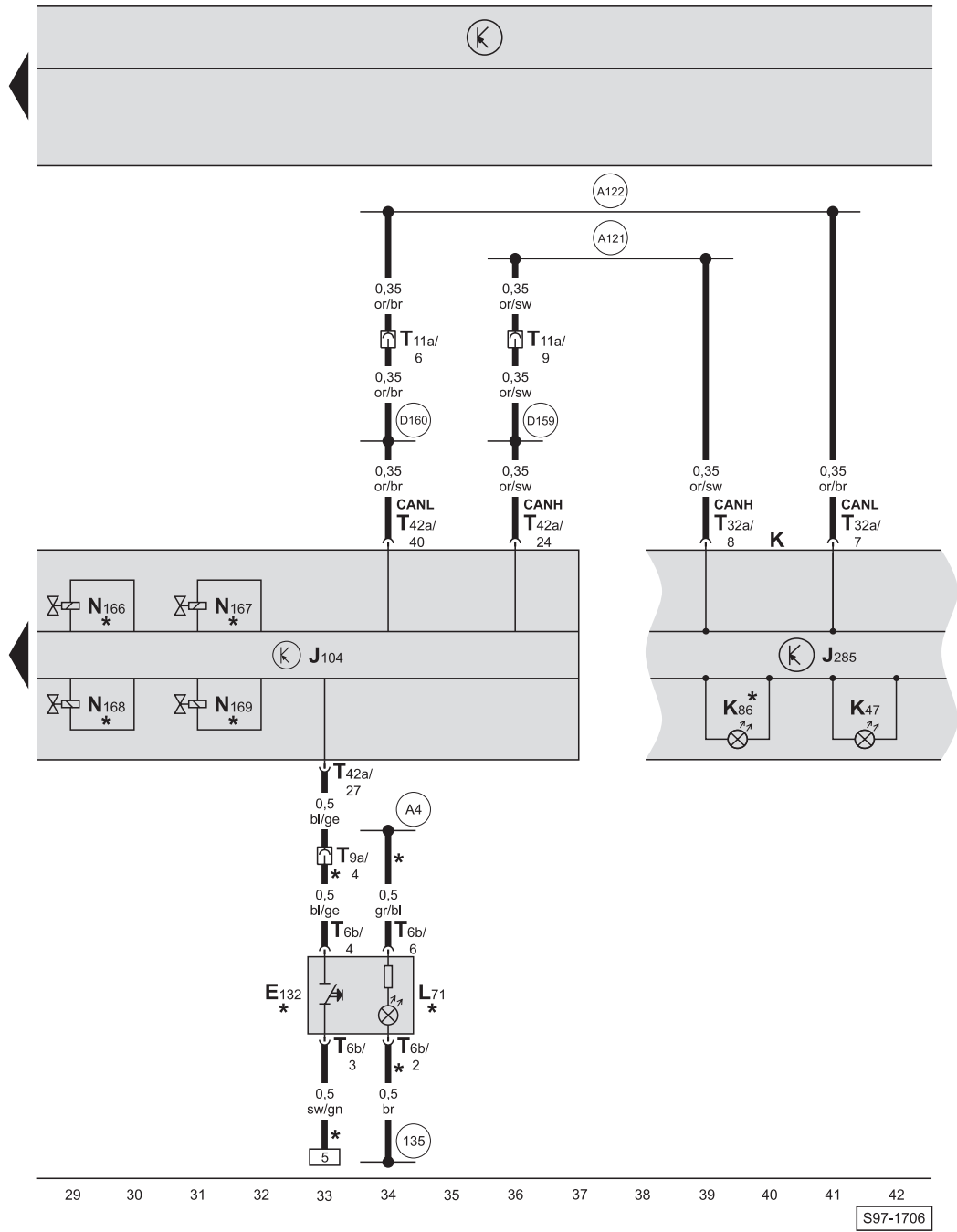
ABS/ABS with EDL and TCS control unit, wheel speed sensors



- G44 - Wheel speed sensor, rear right
- G45 - Wheel speed sensor, front right
- G46 - Wheel speed sensor, rear left
- G47 - Wheel speed sensor, front left
- J104 - ABS/ABS with EDL and TCS control unit
- J106 - ABS solenoid valves relay
- N133 - ABS inlet valve, rear right
- N134 - ABS inlet valve, rear left
- N135 - ABS outlet valve, rear right
- N136 - ABS outlet valve, rear left
- T2k - 2-pin connector, at rear right wheel speed sensor
- T2l - 2-pin connector, at rear left wheel speed sensor
- T2m - 2-pin connector, at front right wheel speed sensor
- T2n - 2-pin connector, at front left wheel speed sensor
- T9a - Connector, 9-pin, at left of bulkhead (yellow)
- T42a - Connector, 42-pin, at ABS/ABS with EDL and TCS control unit

- (J3) - Connection, in rear right wiring loom
- (J5) - Connection, in rear right wiring loom
- (J7) - Connection, in rear left wiring loom
- (J8) - Connection, in rear left wiring loom

ABS/ABS with EDL and TCS control unit, TCS switch, dash panel insert



- ws = white
- sw = black
- ro = red
- br = brown
- gn = green
- bl = blue
- gr = grey
- li = purple
- ge = yellow
- or = orange

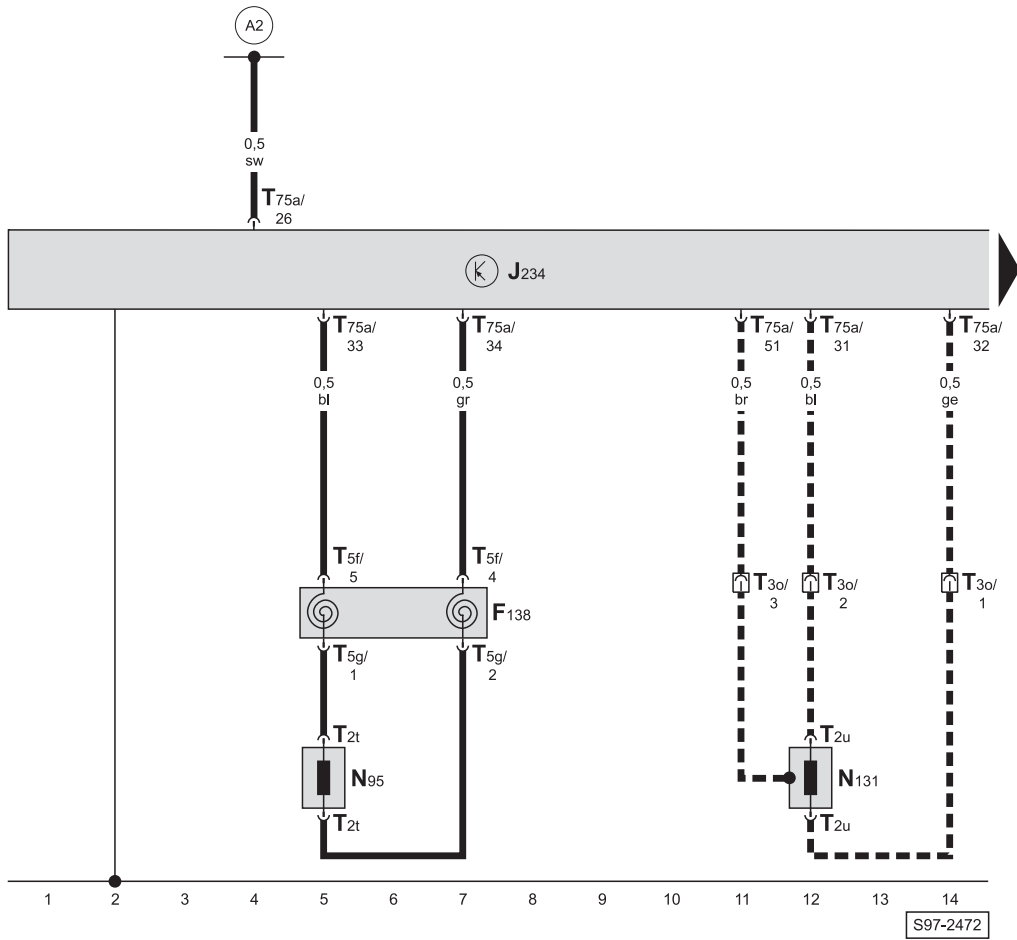
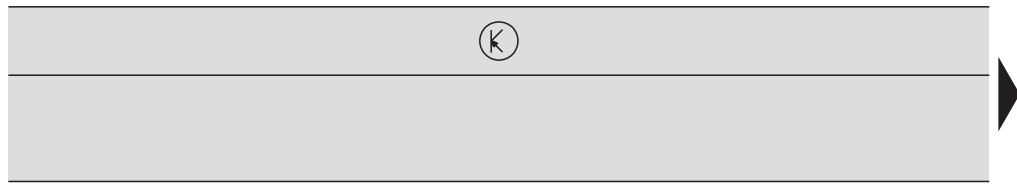
- E132 - TCS switch
- J104 - ABS/ABS with EDL and TCS control unit
- J285 - Control unit in dash panel insert
- K - Dash panel insert
- K47 - ABS warning lamp
- K86 - Traction control system warning lamp
- L71 - TCS switch lighting
- N166 - Front right EDL changeover valve
- N167 - Front right EDL outlet valve
- N168 - Front left EDL changeover valve
- N169 - Front left EDL outlet valve
- T5b - Connector, 5-pin, at TCS switch
- T9a - Connector, 9-pin, at left of bulkhead (yellow)
- T11a - 11-pin connector, at left of bulkhead (white)
- T32a - 32-pin connector, at dash panel insert
- T42a - Connector, 42-pin, at ABS/ABS with EDL and TCS control unit

- 135 - Earth connection, in wiring harness behind dash panel
- A4 - Positive connection (58b), in wiring loom behind dash panel
- A121 - Connection (CAN-H), in wiring loom behind dash panel on
- A122 - Connection (CAN-L), in wiring loom behind dash panel
- D159 - Connection (CAN-H), in engine compartment wiring loom
- D160 - Connection (CAN-L), in engine compartment wiring loom
- * - Applies only to models with TCS

S97-1706

Driver and passenger airbag, from August 1999

Airbag control unit, coil spring contact in steering wheel, front airbag igniter



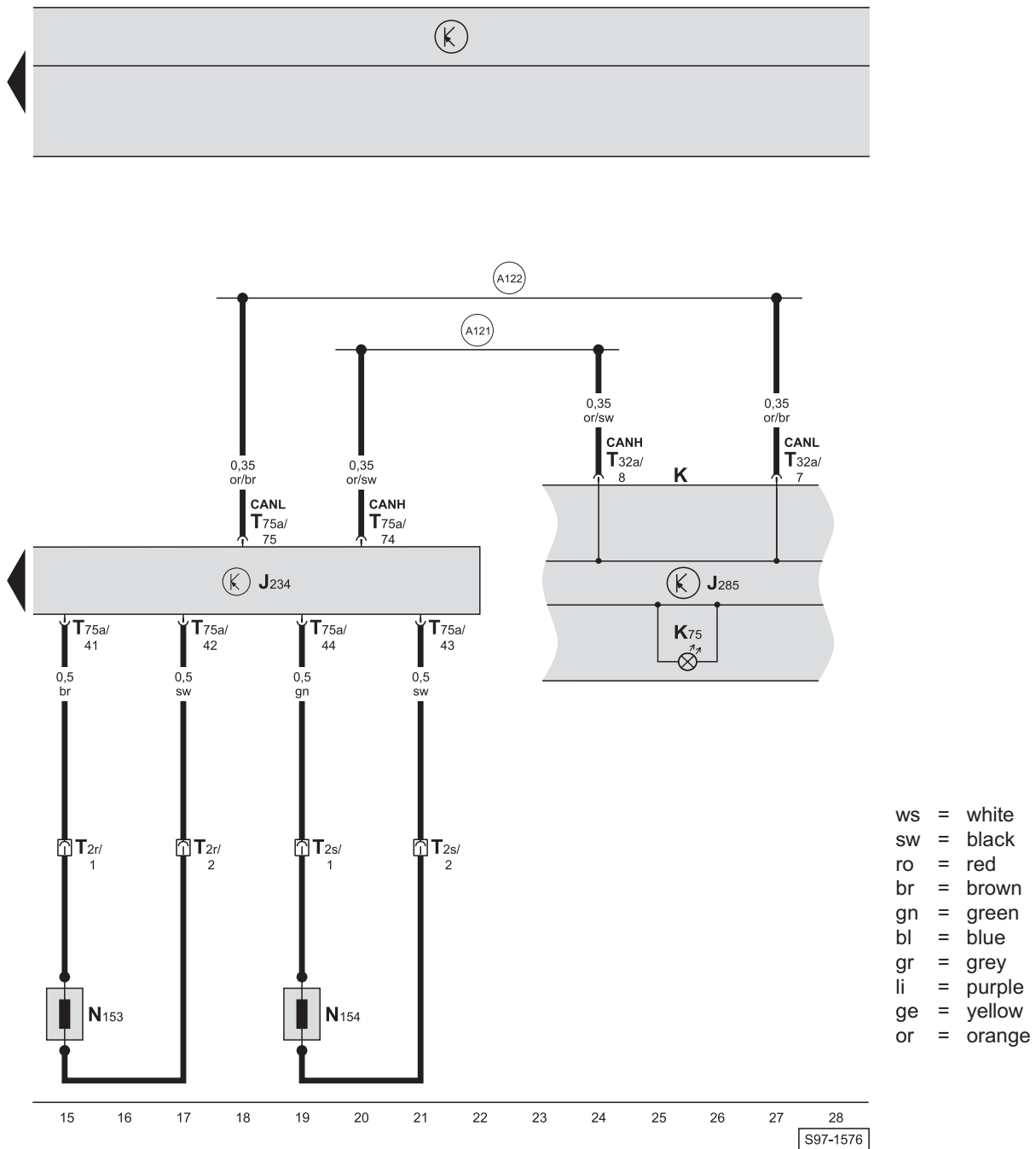
- ws = white
- sw = black
- ro = red
- br = brown
- gn = green
- bl = blue
- gr = grey
- li = purple
- ge = yellow
- or = orange

- F138 - Airbag coil connector
- J234 - Airbag control unit
- N95 - Airbag igniter (driver side)
- N131 - Airbag igniter (passenger side)
- T2t - 2-pin connector, at airbag unit, driver side
- T2u - 2-pin connector, at airbag unit passenger side
- T3o - Connector, 3-pin, behind dash panel on right
- T5f - 5-pin connector, at airbag coil connector in steering wheel
- T5g - 5-pin connector, in steering wheel
- T75a - Connector, 75-pin, at airbag control unit

(A2) - Positive connection (15), in wiring loom behind dash panel

■■■ - Passenger airbag

Airbag control unit, belt tensioner igniter, dash panel insert



- ws = white
- sw = black
- ro = red
- br = brown
- gn = green
- bl = blue
- gr = grey
- li = purple
- ge = yellow
- or = orange

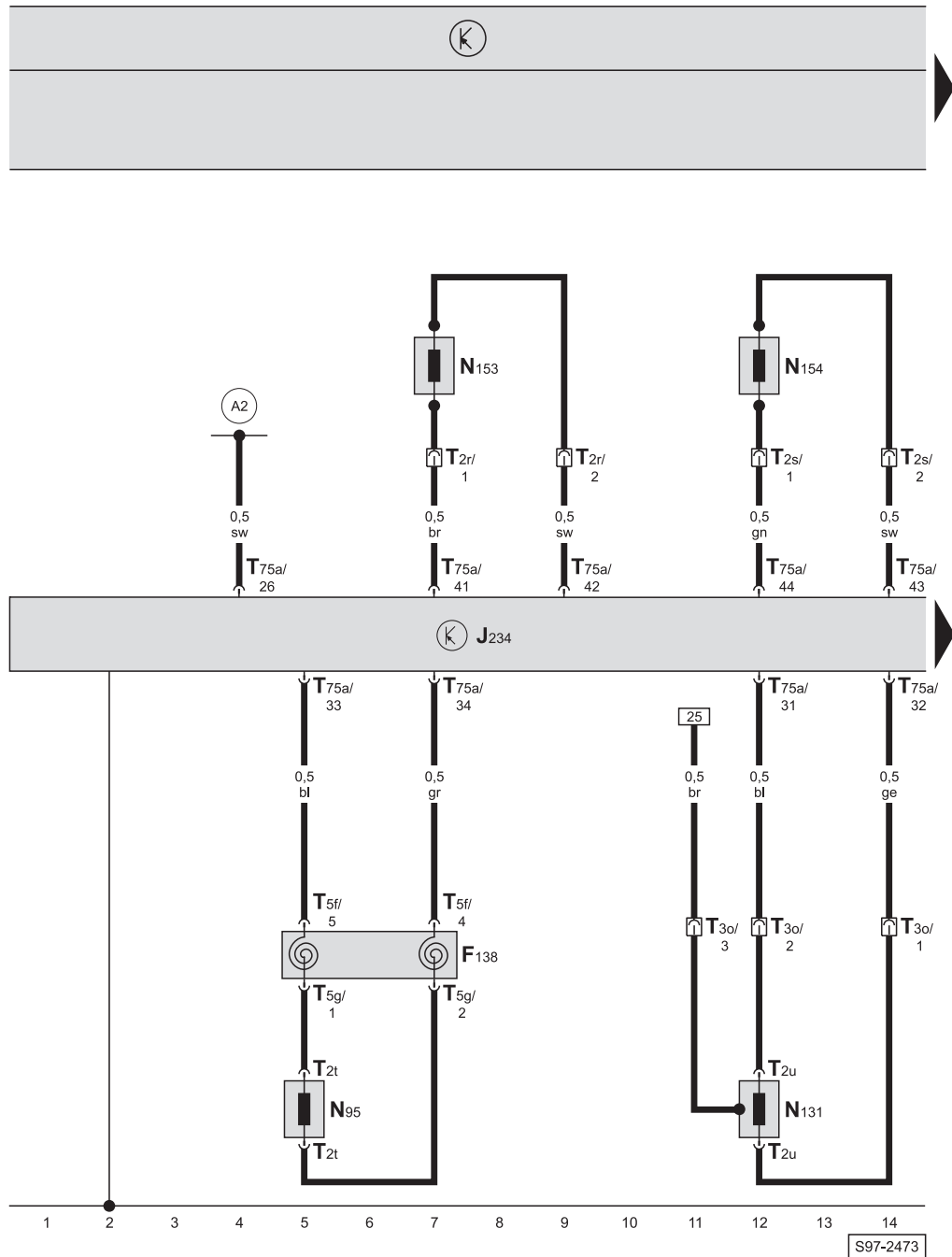
S97-1576

- J234 - Airbag control unit
- J285 - Control unit in dash panel insert
- K - Dash panel insert
- K75 - Airbag warning lamp
- N153 - Belt tensioner igniter – driver side
- N154 - Belt tensioner igniter – passenger side
- T2r - Connector, 2-pin, at belt tensioner igniter – driver side
- T2s - Connector, 2-pin, at belt tensioner igniter – passenger side
- T32a - 32-pin connector, at dash panel insert
- T75a - Connector, 75-pin, at airbag control unit

- (A121) - Connection (CAN-H), in wiring loom behind dash panel on
- (A122) - Connection (CAN-L), in wiring loom behind dash panel

Side airbag, from August 1999

Airbag control unit, coil spring contact in steering wheel, front airbag igniter, belt tensioner igniter

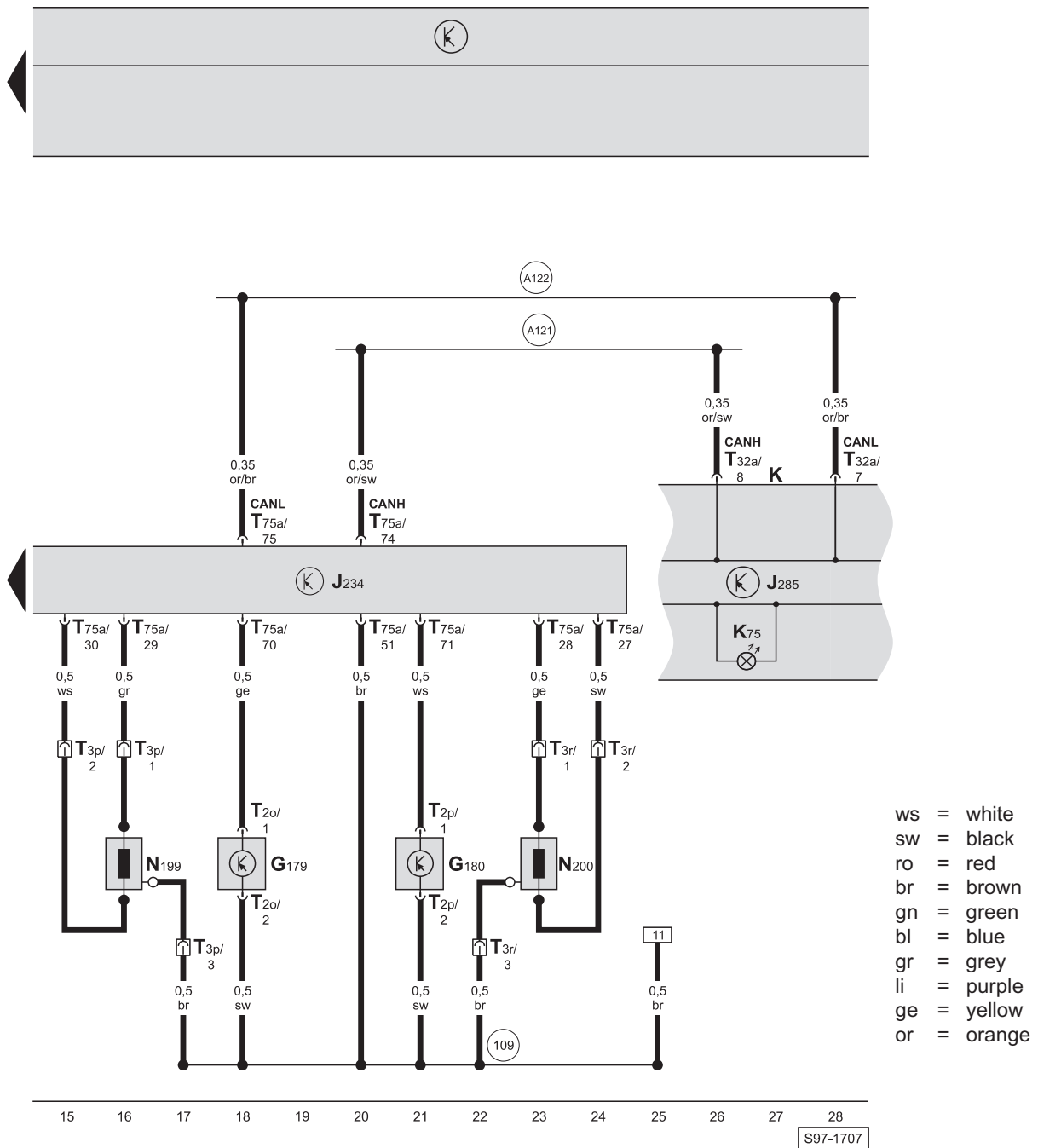


- ws = white
- sw = black
- ro = red
- br = brown
- gn = green
- bl = blue
- gr = grey
- li = purple
- ge = yellow
- or = orange

- F138 - Airbag coil connector
- J234 - Airbag control unit
- N95 - Airbag igniter (driver side)
- N131 - Airbag igniter (passenger side)
- N153 - Belt tensioner igniter - driver side
- N154 - Belt tensioner igniter - passenger side
- T2r - Connector, 2-pin, at belt tensioner igniter - driver side
- T2s - Connector, 2-pin, at belt tensioner igniter - passenger side
- T2t - 2-pin connector, at airbag unit, driver side
- T2u - 2-pin connector, at airbag unit passenger side
- T3o - Connector, 3-pin, behind dash panel on right
- T5f - 5-pin connector, at airbag coil connector in steering wheel
- T5g - 5-pin connector, in steering wheel
- T75a - Connector, 75-pin, at airbag control unit

(A2) - Positive connection (15), in wiring loom behind dash panel

Airbag control unit, side airbag igniter, side airbag crash sensor, dash panel insert



- ws = white
- sw = black
- ro = red
- br = brown
- gn = green
- bl = blue
- gr = grey
- li = purple
- ge = yellow
- or = orange

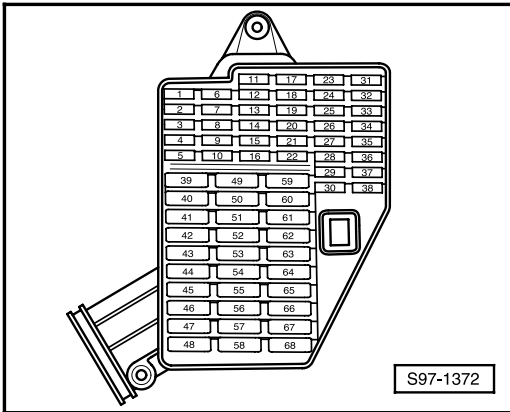
- G179 - Crash sensor for side airbag, driver side
- G180 - Crash sensor for side airbag, passenger side
- J234 - Airbag control unit
- J285 - Control unit in dash panel insert
- K - Dash panel insert
- K75 - Airbag warning lamp
- N199 - Side airbag igniter, driver side
- N200 - Side airbag igniter, passenger side
- T2o - 2-pin connector, at crash sensor for side airbag, driver side
- T2p - 2-pin connector, at side airbag crash sensor, passenger side
- T3p - 3-pin connector, below driver seat
- T3r - 3-pin connector, below passenger seat
- T32a - 32-pin connector, at dash panel insert
- T75a - 75-pin connector, at airbag control unit

- (109) - Earth connection (side airbag), in wiring loom behind dash panel
- (A121) - Connection (CAN-H), in wiring loom behind dash panel on
- (A122) - Connection (CAN-L), in wiring loom behind dash panel

Central locking

Door warning lights from August 1999

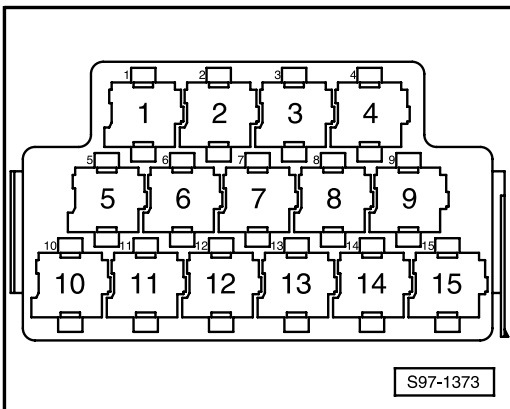
Fuse holder:



Fuse colours

- 30A - green
- 25A - white
- 20A - yellow
- 15A - blue
- 10A - red
- 7.5A - dark brown
- 5A - light brown

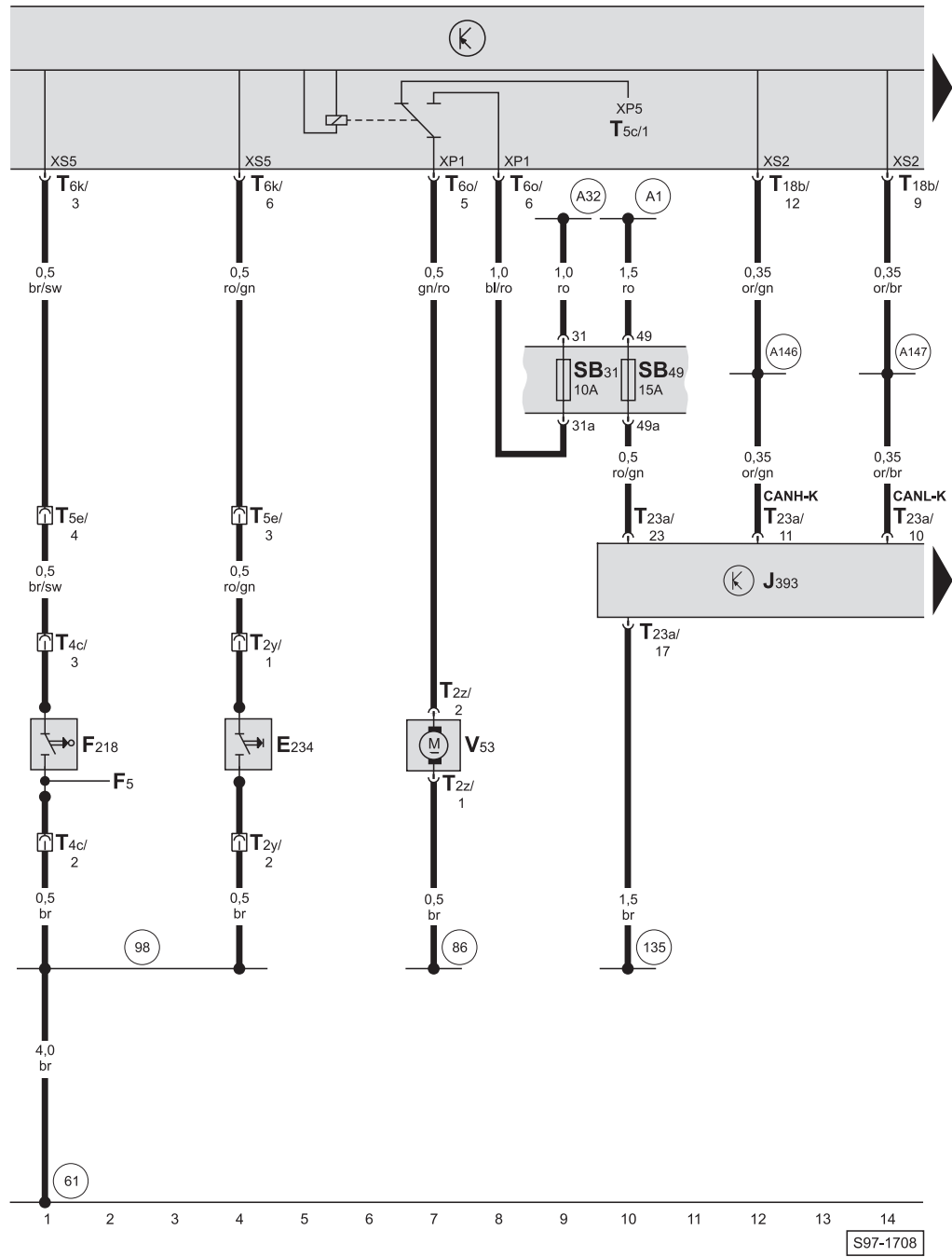
Relay holder:



Relay position assignment

- 5** - Door warning lights relay

Convenience electrics central control unit, tailgate handle release button, central locking switch, tailgate central locking motor, fuse holder



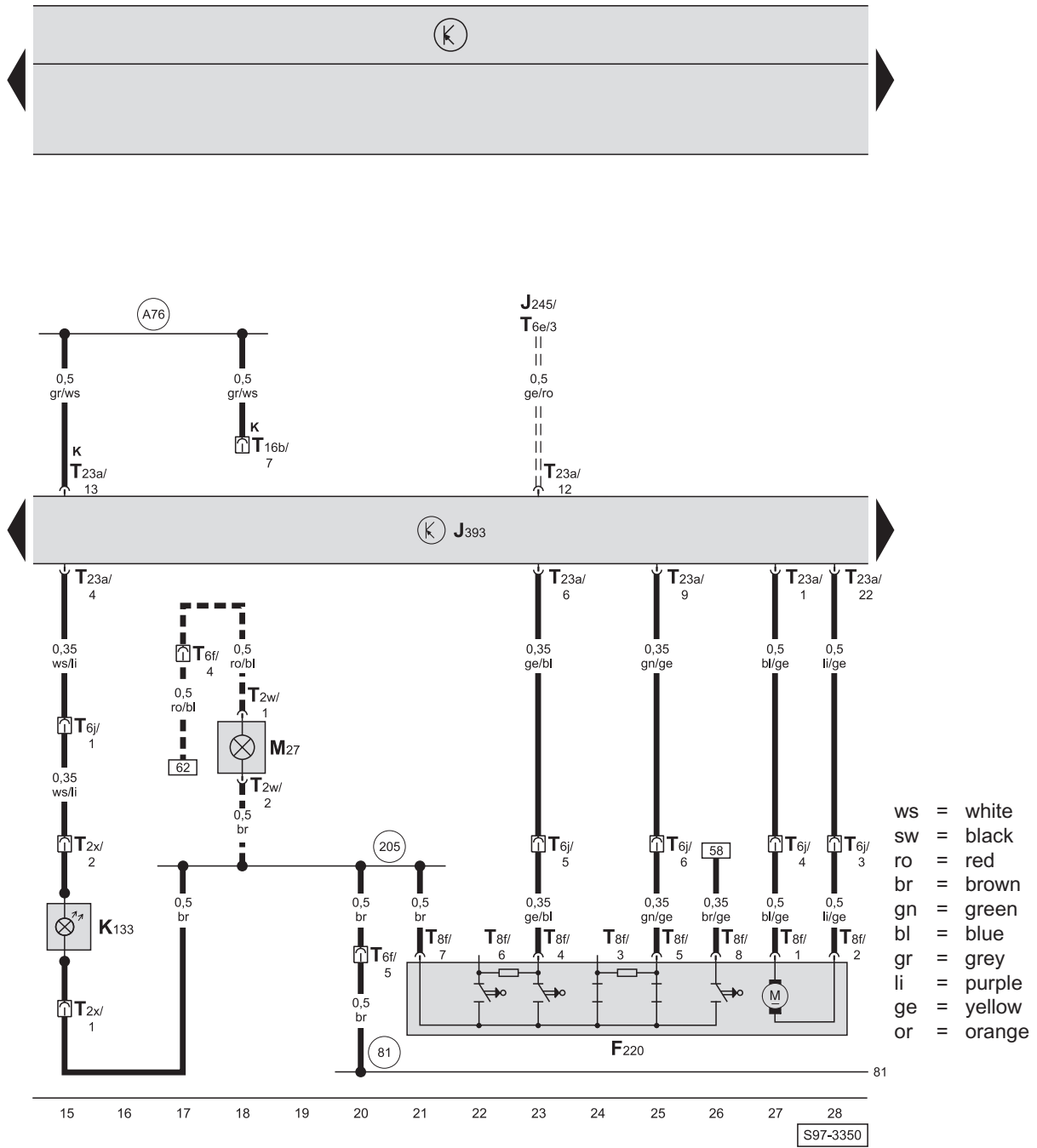
- ws = white
- sw = black
- ro = red
- br = brown
- gn = green
- bl = blue
- gr = grey
- li = purple
- ge = yellow
- or = orange

- E234 - Tailgate handle release button
- F5 - Luggage compartment light switch
- S218 - Central locking switch, in tailgate lock
- J393 - Convenience electrics central control unit
- T2y - Connector, 2-pin, at tailgate handle release button
- T2z - 2-pin connector, at tailgate/boot lid central locking motor
- T4c - 4-pin connector, at boot/tailgate lock
- T5c - 5-pin connector, at electrical system control unit (brown)
- T5e - 5-pin connector, at left C pillar (black)
- T6k - 6-pin connector, at electrical system control unit (red)
- T6o - 6-pin connector, at electrical system control unit (black)
- T18b - 18-pin connector, at electrical system control unit (black)
- T23a - 23-pin connector, at convenience electrics central control unit
- V53 - Tailgate/boot lid central locking motor

- 61 - Earth point, C-pillar left
- 86 - Earth connection -1-, in rear interior wiring loom
- 98 - Earth connection, in engine compartment wiring harness
- 135 - Earth connection, in wiring harness behind dash panel
- A1 - Positive connection (30a), in wiring loom behind dash panel
- A32 - Positive connection (30a), in wiring loom behind dash panel on left
- A146 - Connection (CAN-H, convenience), in wiring loom behind dash panel
- A147 - Connection (CAN-L, convenience), in wiring loom behind dash panel

S97-1708

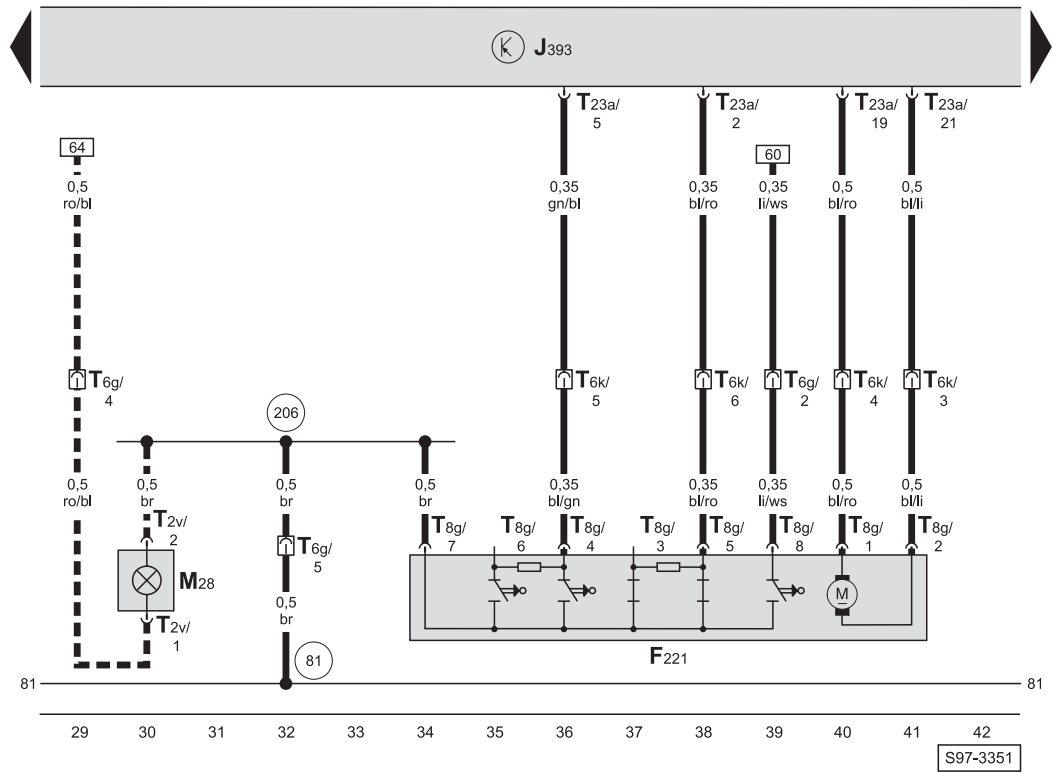
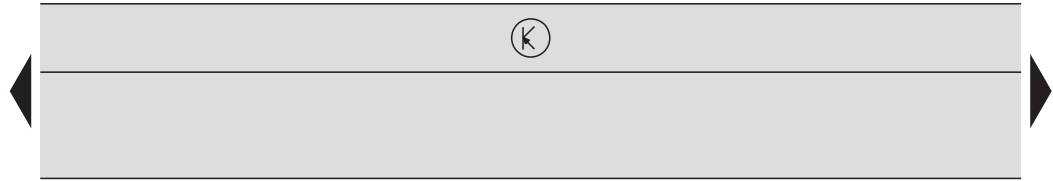
Convenience electrics central control unit, central locking locking unit - driver side, central locking warning light, left door warning light



- F220 - Central locking lock unit, driver side (switch position - released, door closed)
- J245 - Sliding roof adjustment control unit
- J393 - Convenience electrics central control unit
- K133 - Central locking warning lamp
- M27 - Left door warning light
- T2w - Connector, 2-pin, at left door warning light
- T2x - 2-pin connector, at central locking warning lamp
- T6e - 6-pin connector, at sliding roof adjustment control unit
- T6f - 6-pin connector, at left A pillar (brown)
- T6j - Connector, 6-pin, at left A pillar (white)
- T8f - 8-pin connector, at central locking locking unit, driver side
- T16b - 16-pin connector, in glove box on driver's side (diagnosis connection)
- T23a - 23-pin connector, at convenience electrics central control unit

- 81 - Earth connection, in wiring harness behind dash panel
- 205 - Earth connection, in wiring harness of door assembly wiring driver side
- A76 - Connection (K diagnosis wire), in wiring loom behind dash panel on left
- === - Applies only to models with electric sliding roof
- - Applies only to models with door warning lights

Convenience electrics central control unit, central locking locking unit - passenger side, right door warning light

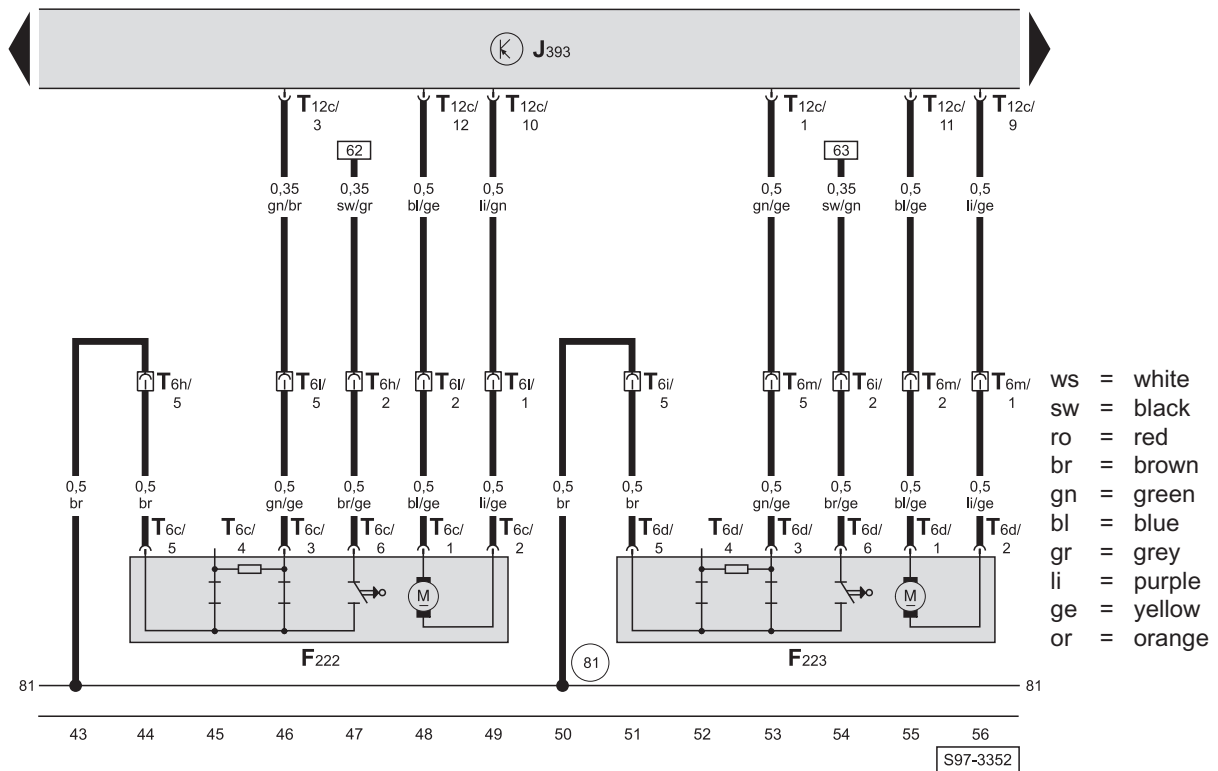
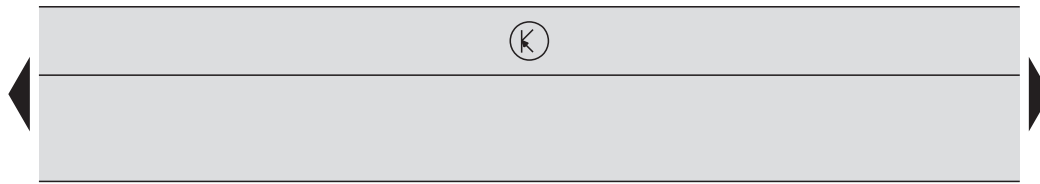


- ws = white
- sw = black
- ro = red
- br = brown
- gn = green
- bl = blue
- gr = grey
- li = purple
- ge = yellow
- or = orange

- F221 - Central locking lock unit, front passenger side (switch position - released, door closed)
- J393 - Convenience electrics central control unit
- M28 - Right door warning light
- T2v - Connector, 2-pin, at right door warning light
- T6g - 6-pin connector, at right A pillar (brown)
- T6k - Connector, 6-pin, at right A pillar (white)
- T8g - 8-pin connector, at central locking locking unit, passenger side
- T23a - 23-pin connector, at convenience electrics central control unit

- (81) - Earth connection, in wiring harness behind dash panel
- (206) - Earth connection, in door wiring loom - passenger side
- - Applies only to models with door warning lights

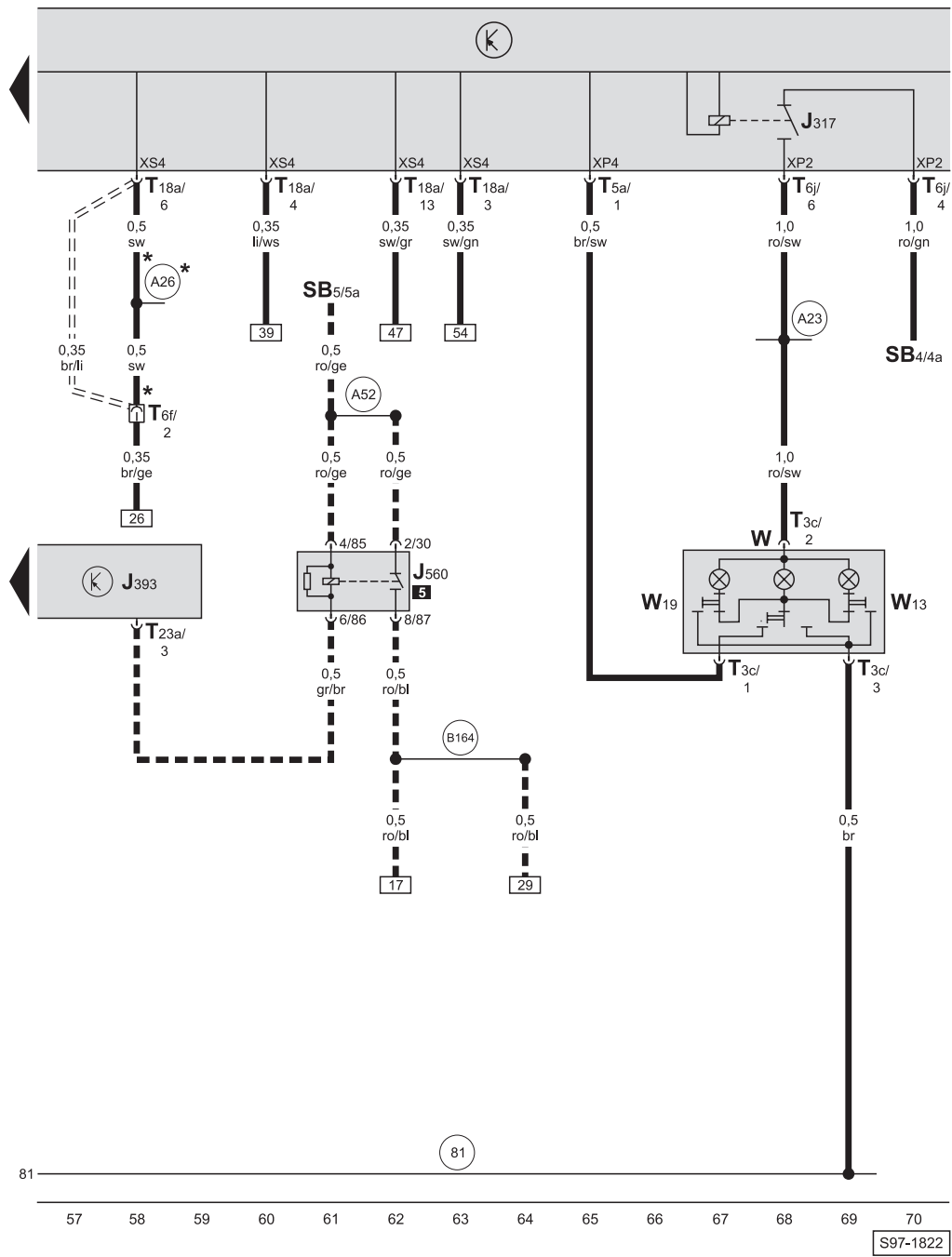
Convenience electrics central control unit, central locking locking unit - rear left, central locking locking unit - rear right



- F222 - Central locking lock unit, rear left (switch position - released, door closed)
- F223 - Central locking lock unit, rear right (switch position - released, door closed)
- J393 - Convenience electrics central control unit
- T6c - 6-pin connector, at rear left central locking locking unit
- T6d - 6-pin connector, at rear right central locking locking unit
- T6h - 6-pin connector, at left B pillar (brown)
- T6i - 6-pin connector, at right B pillar (brown)
- T6l - 6-pin connector, at left B pillar (black)
- T6m - 6-pin connector, at right B pillar (black)
- T12c - Connector, 12-pin, at convenience electrics central control unit (black)

(81) - Earth connection, in wiring harness behind dash panel

Convenience electrics central control unit, front interior light, door warning lights relay



- ws = white
- sw = black
- ro = red
- br = brown
- gn = green
- bl = blue
- gr = grey
- li = purple
- ge = yellow
- or = orange

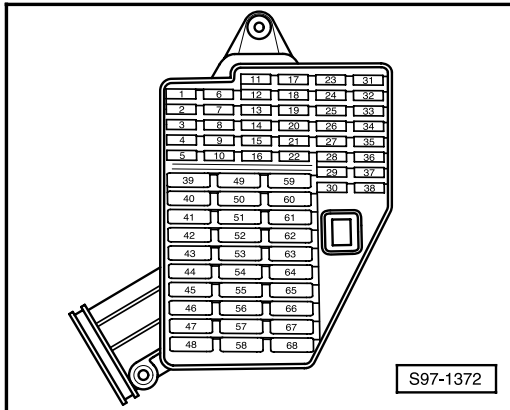
- J317 - Terminal 30 voltage supply relay
- J393 - Convenience electrics central control unit
- J560 - Door warning lights relay
- SB4 - Fuse, in fuse holder
- SB5 - Fuse, in fuse holder
- T3c - 3-pin connector, at front interior light bulb
- T5a - 5-pin connector, at electrical system control unit (black)
- T6f - 6-pin connector, at left A pillar (brown)
- T6j - 6-pin connector, at electrical system control unit (brown)
- T18a - 18-pin connector, at electrical system control unit (brown)
- T23a - 23-pin connector, at convenience electrics central control unit
- W - Interior light, front
- W13 - Front passenger's reading light
- W19 - Driver-side reading light

- 81 - Earth connection, in wiring harness behind dash panel
- A23 - Positive connection (30a), in wiring loom behind dash panel
- A26 - Connection (left front door contact switch), in wiring loom behind dash panel
- A52 - Positive connection (30a), in wiring loom behind dash panel on left
- B164 - Connection (30, door warning light), in interior wiring loom
- * - applies only to petrol engines (up to 01.00), applies only to engine codes AUA, AUB, ATZ (from 02.00)
- === - applies only to diesel engines (up to 01.00), does not apply to engine codes AUA, AUB, ATZ (from 02.00)
- - Applies only to models with door warning lights

Front and rear power windows

Heated and adjustable exterior mirrors from August 1999

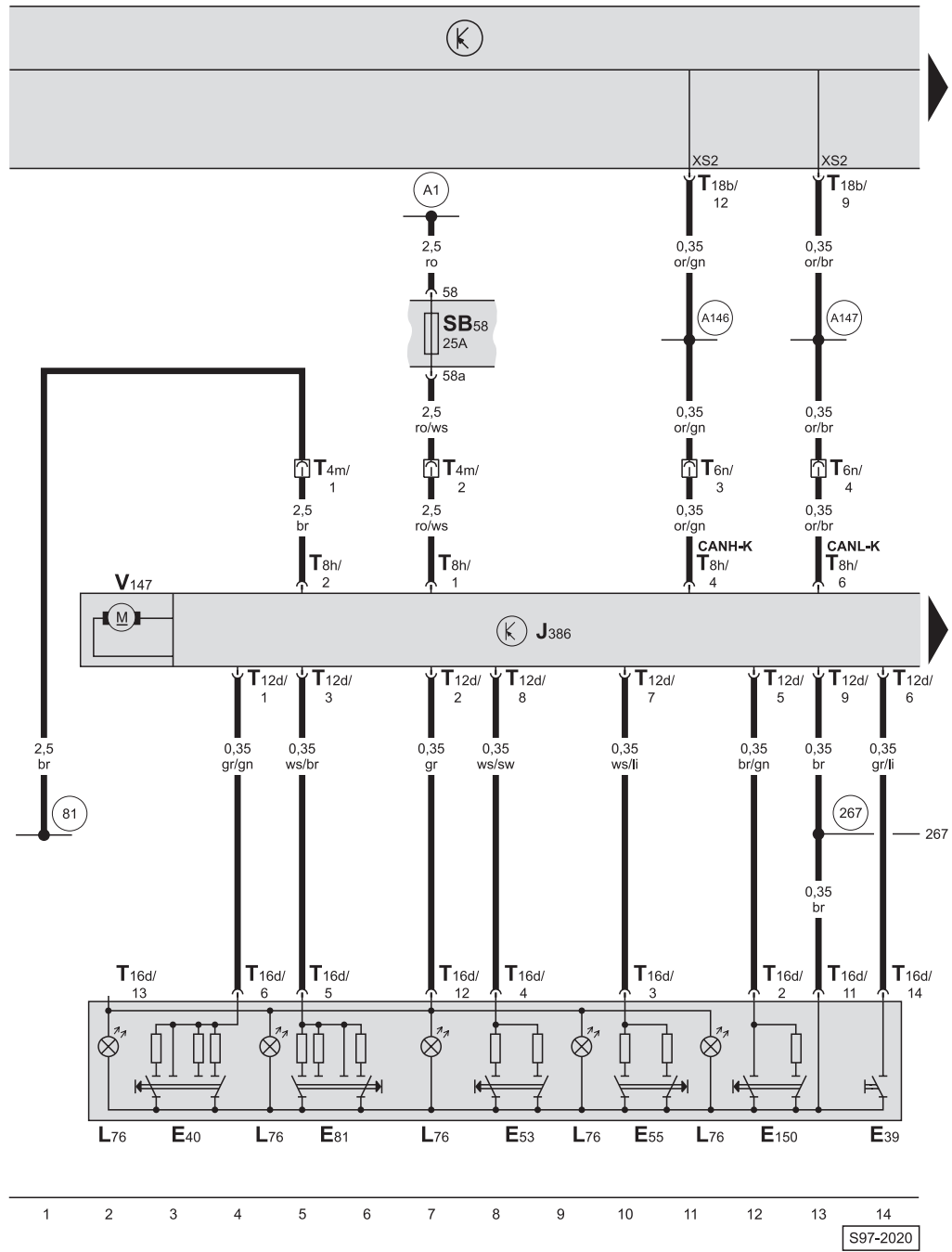
Fuse holder:



Fuse colours

- 30A - green
- 25A - white
- 20A - yellow
- 15A - blue
- 10A - red
- 7.5A - dark brown
- 5A - light brown

Driver-door power window, fuse holder

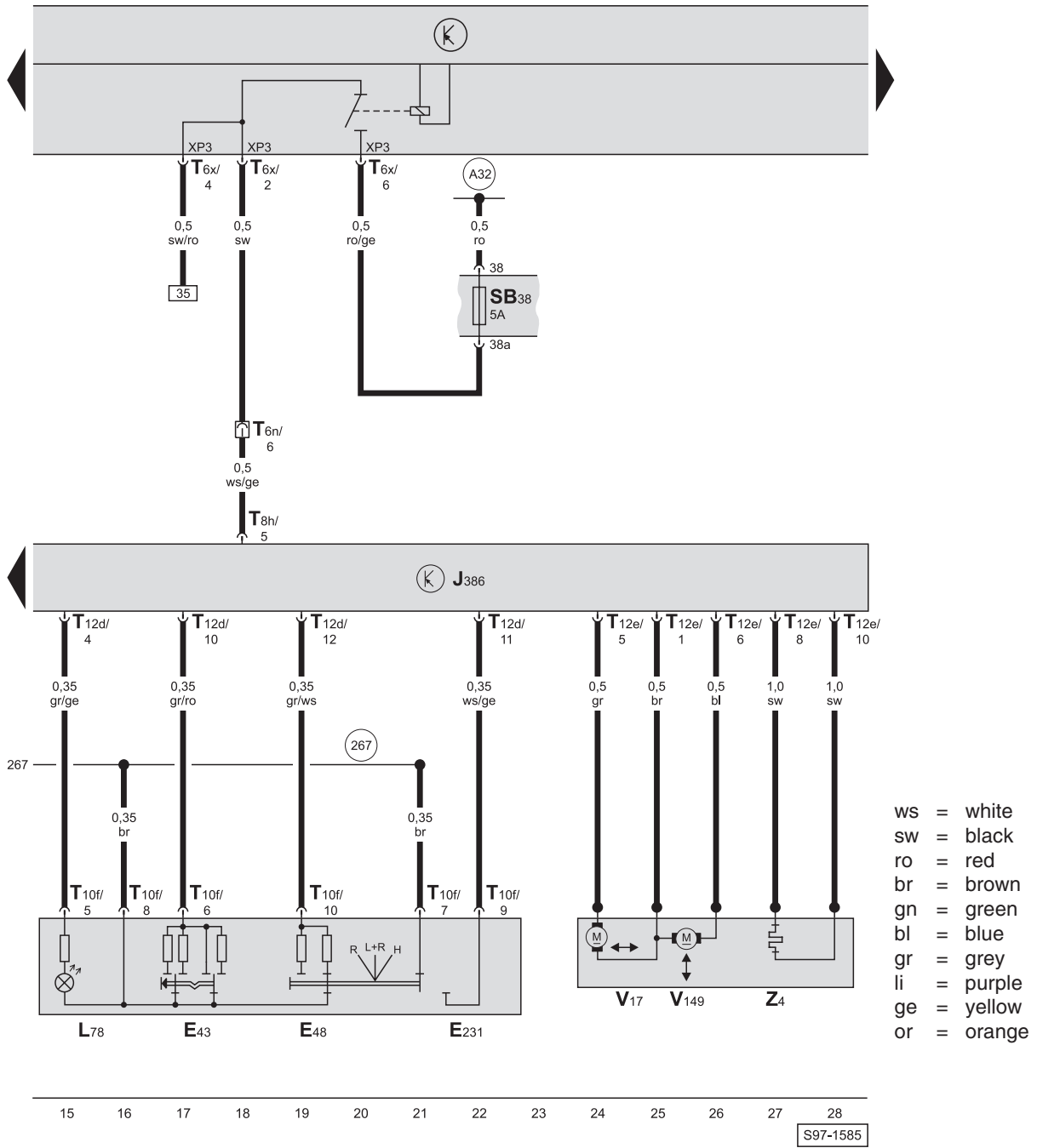


- ws = white
- sw = black
- ro = red
- br = brown
- gn = green
- bl = blue
- gr = grey
- li = purple
- ge = yellow
- or = orange

- E39 - Rear power window locking switch
- E40 - Front left power window switch
- E53 - Rear left power window switch, driver
- E55 - Rear right power window switch, driver
- E81 - Front right power window switch, driver
- E150 - Interior locking switch, driver side
- J386 - Door control unit, driver's side
- L76 - Power window central switch lighting
- T4m - 4-pin connector, at left A pillar (black)
- T6n - 6-pin connector, at left A pillar (black)
- T8h - Connector, 8-pin, at door control unit, driver side
- T12d - Connector, 12-pin, at door control unit, driver side (black)
- T16d - 16-pin connector, at central switch for window lifters, in driver's door
- T18b - 18-pin connector, at electrical system control unit (black)
- V147 - Electric window motor, driver's side

- (81) - Earth connection, in wiring harness behind dash panel
- (267) - Earth connection, in wiring harness of door assembly wiring driver side
- (A1) - Positive connection (30a), in wiring loom behind dash panel
- (A146) - Connection (CAN-H, convenience), in wiring loom behind dash panel
- (A147) - Connection (CAN-L, convenience), in wiring loom behind dash panel

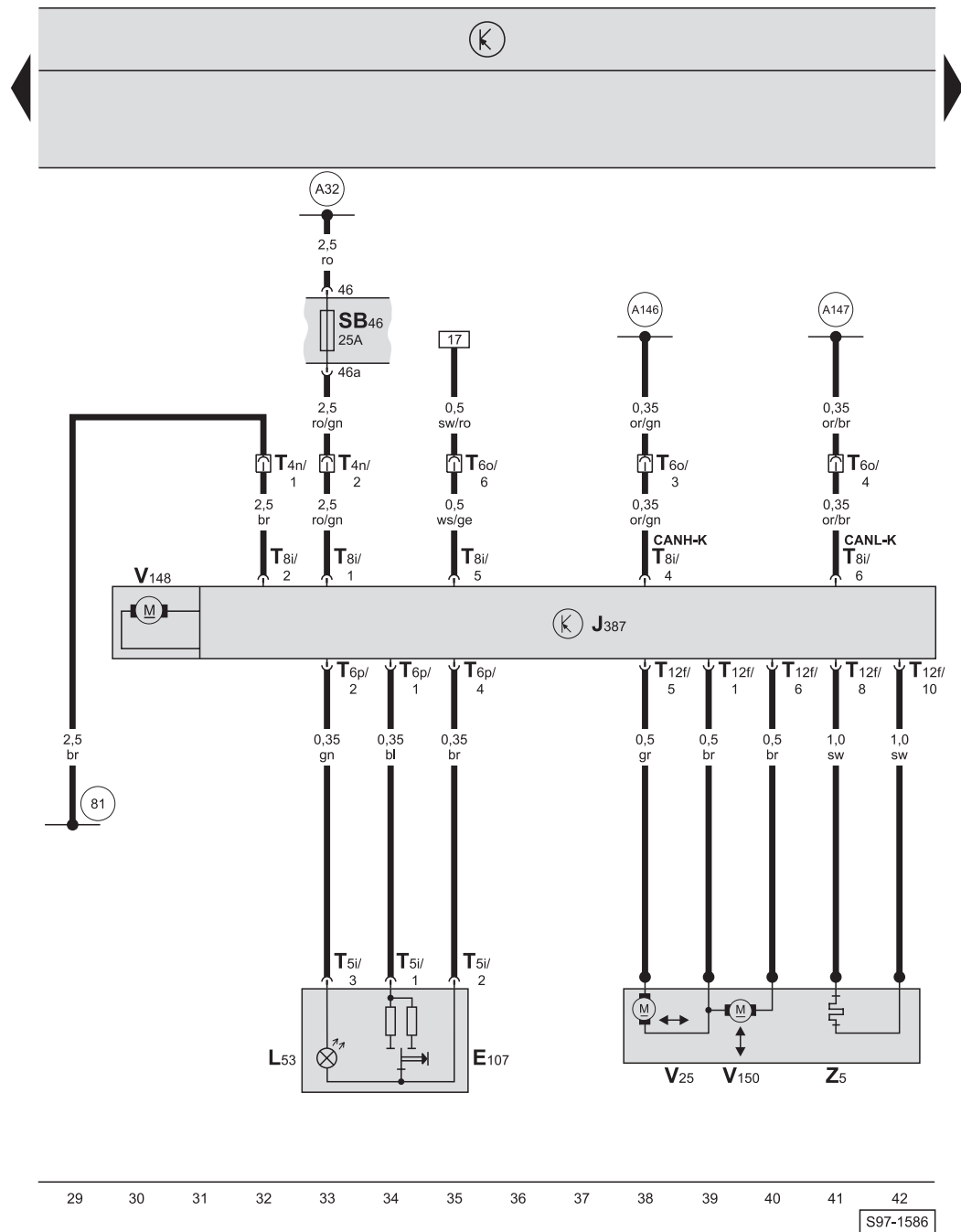
Electrically adjustable and heated exterior mirror for driver door, fuse holder



- E43 - Mirror adjustment switch
- E48 - Mirror adjustment changeover switch
- E231 - Exterior mirror heater pushbutton
- J386 - Door control unit, driver's side
- L78 - Mirror adjustment switch illumination
- T6n - 6-pin connector, at left A pillar (black)
- T6x - 6-pin connector, at electrical system control unit (red)
- T8h - 8-pin connector, at driver door control unit
- T10f - Connector, 10-pin, at mirror adjustment switch
- T12d - 12-pin connector, at driver door control unit (black)
- T12e - 12-pin connector, at driver door control unit (brown)
- V17 - Mirror adjustment motor (driver's side)
- V149 - Mirror adjustment motor (driver side)
- Z4 - Heated exterior mirror, driver side

- (267) - Earth connection, in wiring harness of door assembly wiring driver side
- (A32) - Positive connection (30a), in wiring loom behind dash panel on left

Passenger door power window, passenger door heated and adjustable exterior mirror, fuse holder



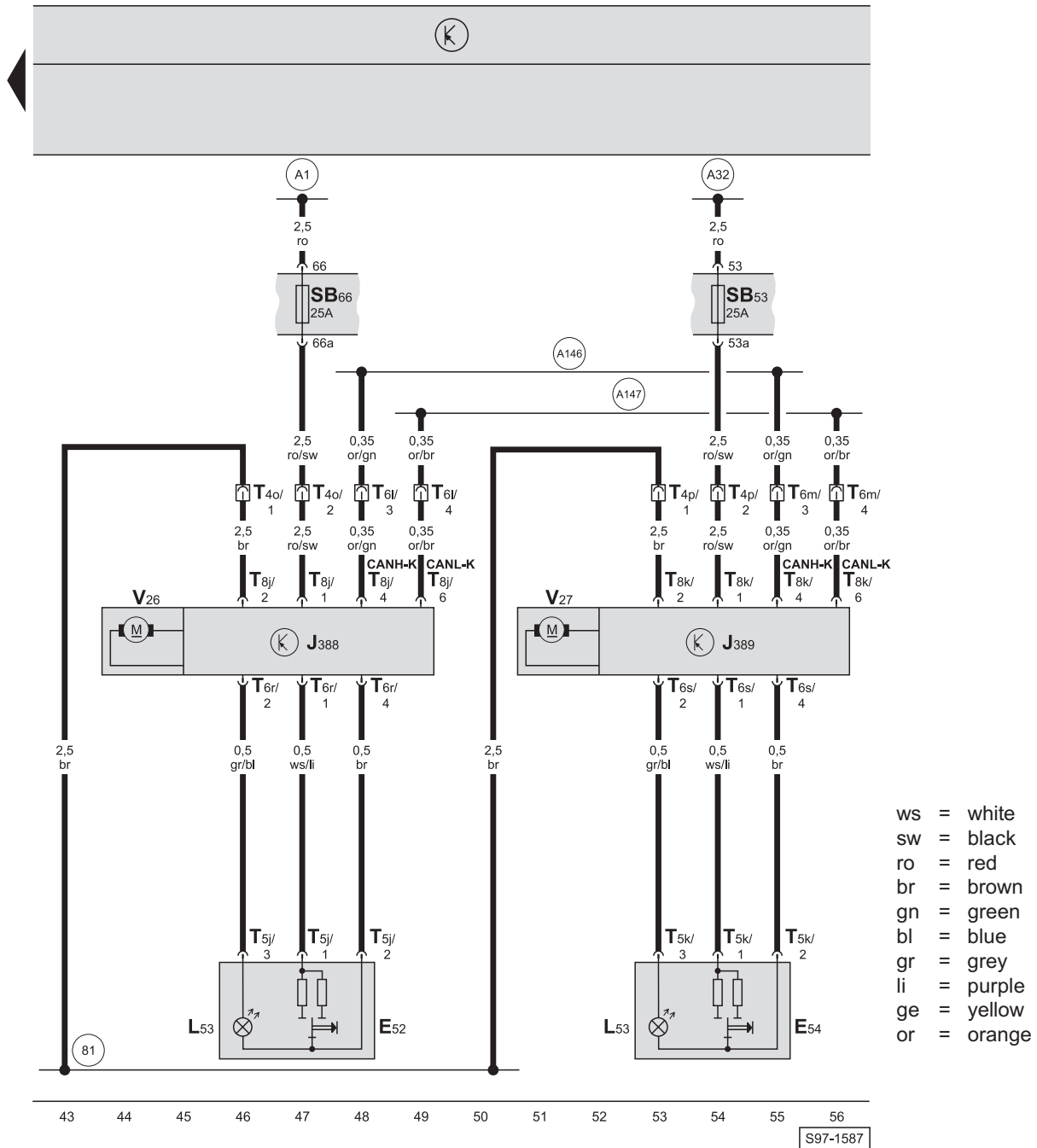
- ws = white
- sw = black
- ro = red
- br = brown
- gn = green
- bl = blue
- gr = grey
- li = purple
- ge = yellow
- or = orange

- E107 - Power window switch, in front passenger door
- J387 - Door control unit, passenger's side
- L53 - Window lifter switch illumination bulb
- T4n - 4-pin connector, at right A pillar (black)
- T5i - Connector, 5-pin, at power window switch, in front passenger door
- T6o - 6-pin connector, at right A pillar (black)
- T6p - Connector, 6-pin, at door control unit, front passenger side
- T8i - Connector, 8-pin, at door control unit, front passenger side
- T12f - Connector, 12-pin, at door control unit, front passenger side
- V25 - Mirror adjustment motor (passenger side)
- V148 - Electric window motor (passenger side)
- V150 - Mirror adjustment motor (passenger side)
- Z5 - Heated exterior mirror (passenger side)

- 81 - Earth connection, in wiring harness behind dash panel
- A32 - Positive connection (30a), in wiring loom behind dash panel on left
- A146 - Connection (CAN-H, convenience), in wiring loom behind dash panel
- A147 - Connection (CAN-L, convenience), in wiring loom behind dash panel

S97-1586

Rear left power window, rear right power window, fuse holder



- ws = white
- sw = black
- ro = red
- br = brown
- gn = green
- bl = blue
- gr = grey
- li = purple
- ge = yellow
- or = orange

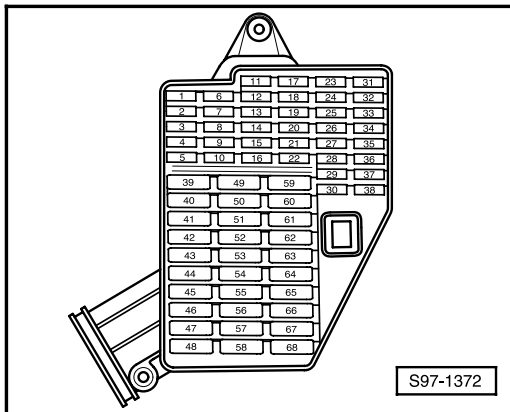
- E52 - Window lifter switch, rear left
- E54 - Window lifter switch, rear right
- J388 - Door control unit, rear left
- J389 - Door control unit, rear right
- L53 - Window lifter switch illumination bulb
- T4o - 4-pin connector, at left B pillar (black)
- T4p - 4-pin connector, at right B pillar (black)
- T5j - 5-pin connector, at left rear window lifter switch
- T5k - 5-pin connector, at rear right window lifter switch
- T6l - 6-pin connector, at left B pillar (black)
- T6m - 6-pin connector, at right B pillar (black)
- T6r - Connector, 6-pin, at rear left door control unit
- T6s - Connector, 6-pin, at rear right door control unit
- T8j - Connector, 8-pin, at rear left door control unit
- T8k - Connector, 8-pin, at rear right door control unit
- V26 - Electric window lifter motor, rear left
- V27 - Electric window lifter motor, rear right

- 81 - Earth connection, in wiring harness behind dash panel
- A1 - Positive connection (30a), in wiring loom behind dash panel
- A32 - Positive connection (30a), in wiring loom behind dash panel on left
- A146 - Connection (CAN-H, convenience), in wiring loom behind dash panel
- A147 - Connection (CAN-L, convenience), in wiring loom behind dash panel

Front power windows

Heated and adjustable exterior mirrors from August 1999

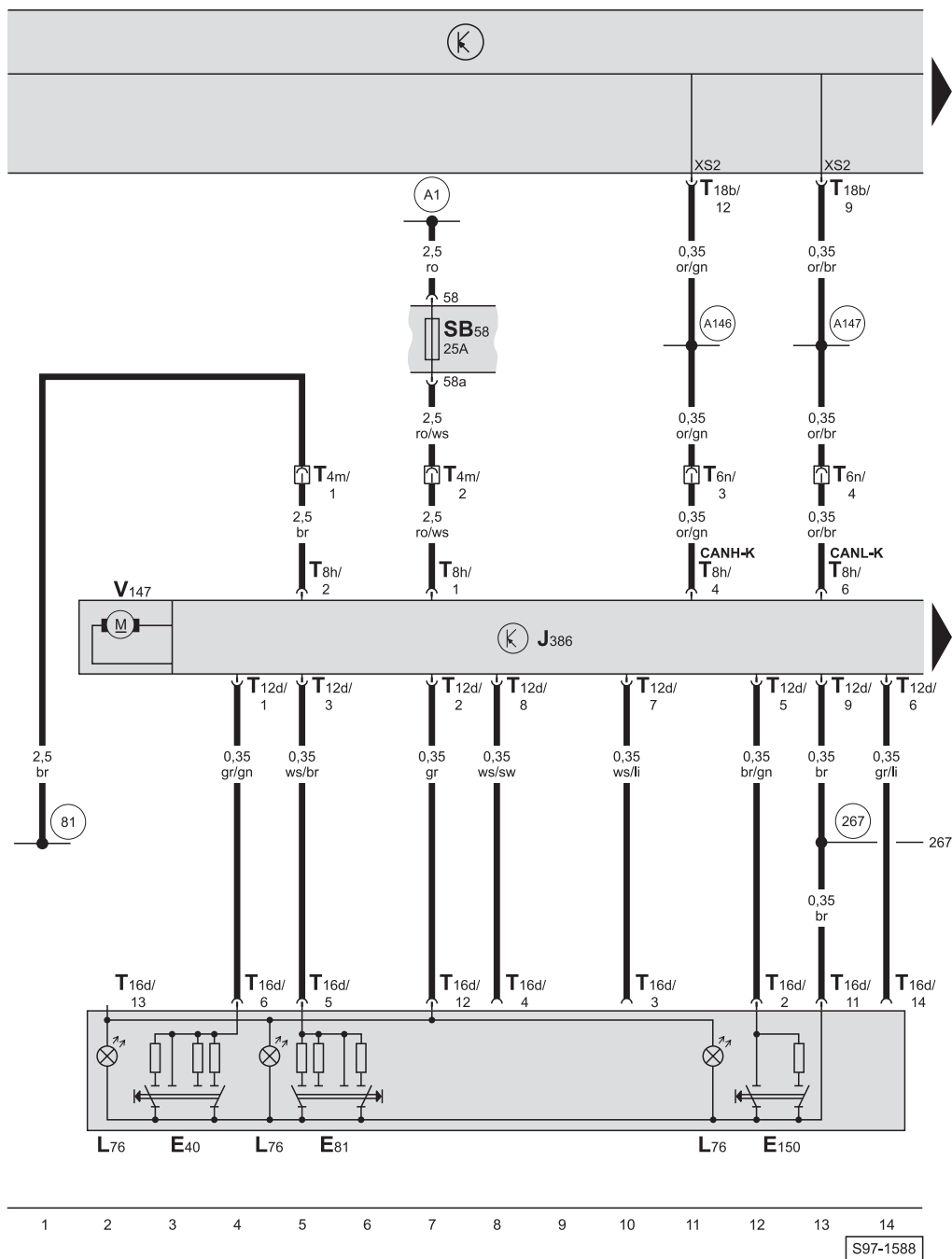
Fuse holder:



Fuse colours

- 30A - green
- 25A - white
- 20A - yellow
- 15A - blue
- 10A - red
- 7.5A - dark brown
- 5A - light brown

Driver-door power window, fuse holder

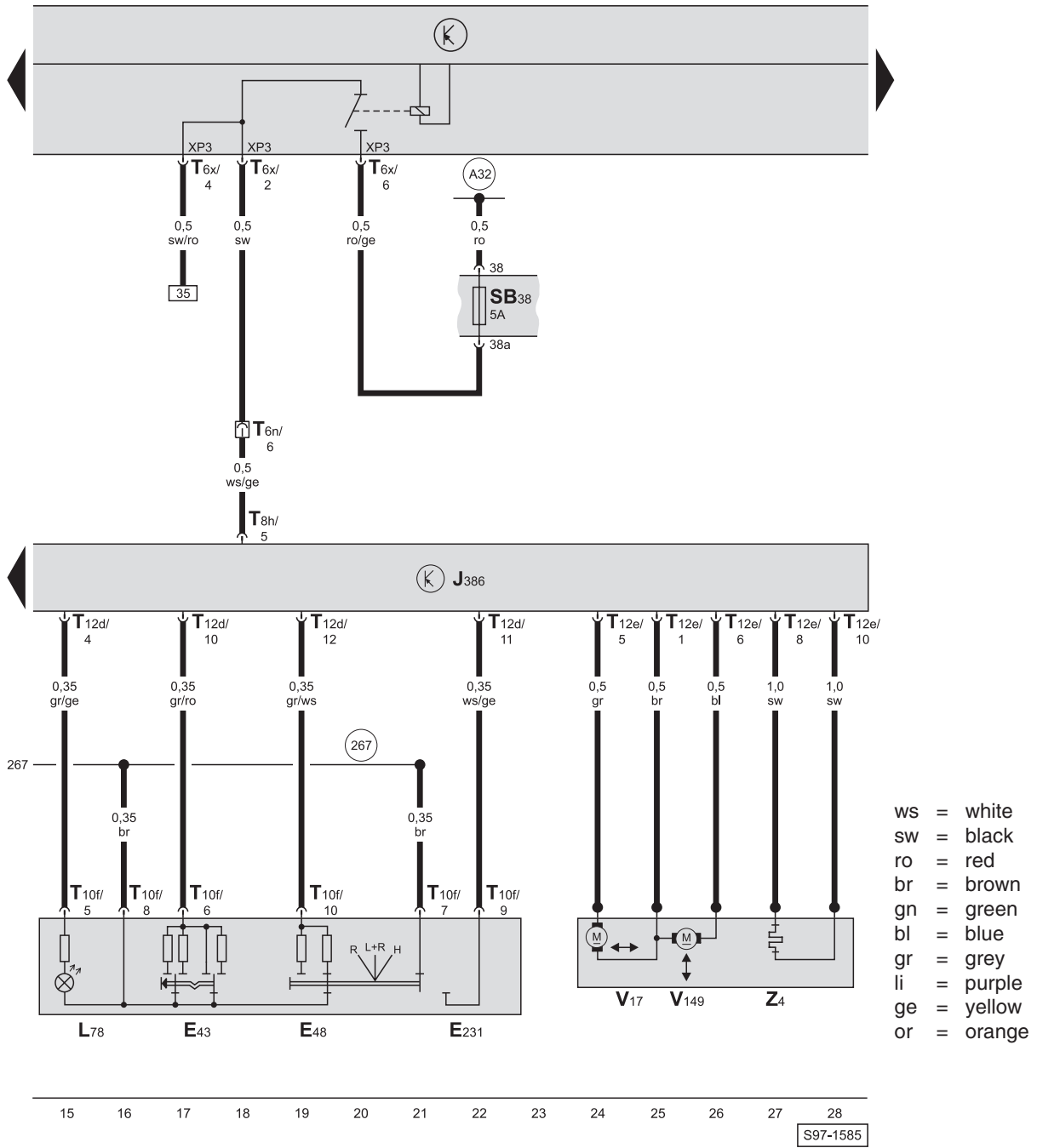


- ws = white
- sw = black
- ro = red
- br = brown
- gn = green
- bl = blue
- gr = grey
- li = purple
- ge = yellow
- or = orange

- E40 - Front left power window switch
- E81 - Front right power window switch, driver side
- E150 - Interior locking switch, driver side
- J386 - Door control unit, driver's side
- L76 - Power window central switch lighting
- T4m - 4-pin connector, at left A pillar (black)
- T6n - 6-pin connector, at left A pillar (black)
- T8h - Connector, 8-pin, at door control unit, driver side
- T12d - Connector, 12-pin, at door control unit, driver side (black)
- T16d - 16-pin connector, at central switch for window lifters, in driver's door
- T18b - 18-pin connector, at electrical system control unit (black)
- V147 - Electric window motor, driver's side

- 81 - Earth connection, in wiring harness behind dash panel
- 267 - Earth connection, in wiring harness of door assembly wiring driver side
- A1 - Positive connection (30a), in wiring loom behind dash panel
- A146 - Connection (CAN-H, convenience), in wiring loom behind dash panel
- A147 - Connection (CAN-L, convenience), in wiring loom behind dash panel

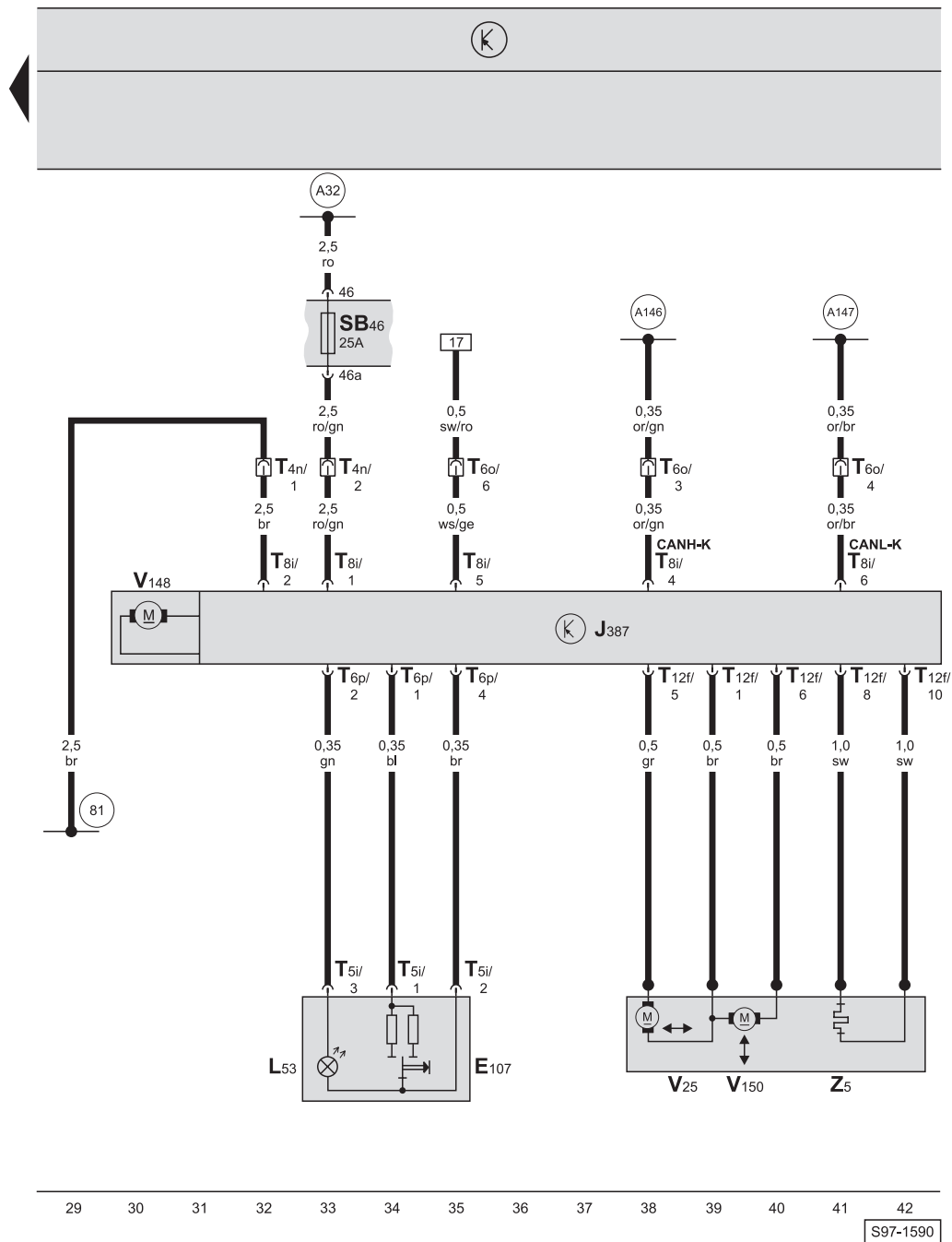
Electrically adjustable and heated exterior mirror for driver door, fuse holder



- E43 - Mirror adjustment switch
- E48 - Mirror adjustment changeover switch
- E231 - Exterior mirror heater pushbutton
- J386 - Door control unit, driver's side
- L78 - Mirror adjustment switch illumination
- T6n - 6-pin connector, at left A pillar (black)
- T6x - 6-pin connector, at electrical system control unit (red)
- T8h - 8-pin connector, at driver door control unit
- T10f - Connector, 10-pin, at mirror adjustment switch
- T12d - 12-pin connector, at driver door control unit (black)
- T12e - 12-pin connector, at driver door control unit (brown)
- V17 - Mirror adjustment motor (driver's side)
- V149 - Mirror adjustment motor (driver side)
- Z4 - Heated exterior mirror, driver side

- (267) - Earth connection, in wiring harness of door assembly wiring driver side
- (A32) - Positive connection (30a), in wiring loom behind dash panel on left

Passenger door power window, passenger door heated and adjustable exterior mirror, fuse holder



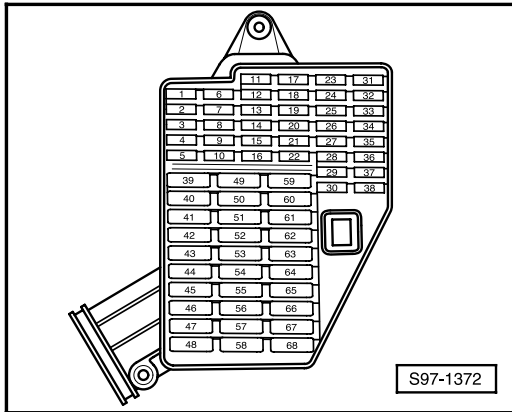
- ws = white
- sw = black
- ro = red
- br = brown
- gn = green
- bl = blue
- gr = grey
- li = purple
- ge = yellow
- or = orange

- E107 - Power window switch, in front passenger door
- J387 - Door control unit, passenger's side
- L53 - Window lifter switch illumination bulb
- T4n - 4-pin connector, at right A pillar (black)
- T5i - Connector, 5-pin, at power window switch, in front passenger door
- T6o - 6-pin connector, at right A pillar (black)
- T6p - Connector, 6-pin, at door control unit, front passenger side
- T8i - Connector, 8-pin, at door control unit, front passenger side
- T12f - Connector, 12-pin, at door control unit, front passenger side
- V25 - Mirror adjustment motor (passenger side)
- V148 - Electric window motor (passenger side)
- V150 - Mirror adjustment motor (passenger side)
- Z5 - Heated exterior mirror (passenger side)

- 81 - Earth connection, in wiring harness behind dash panel
- A32 - Positive connection (30a), in wiring loom behind dash panel on left
- A146 - Connection (CAN-H, convenience), in wiring loom behind dash panel
- A147 - Connection (CAN-L, convenience), in wiring loom behind dash panel

Heated and adjustable exterior mirrors (without power windows), from August 1999

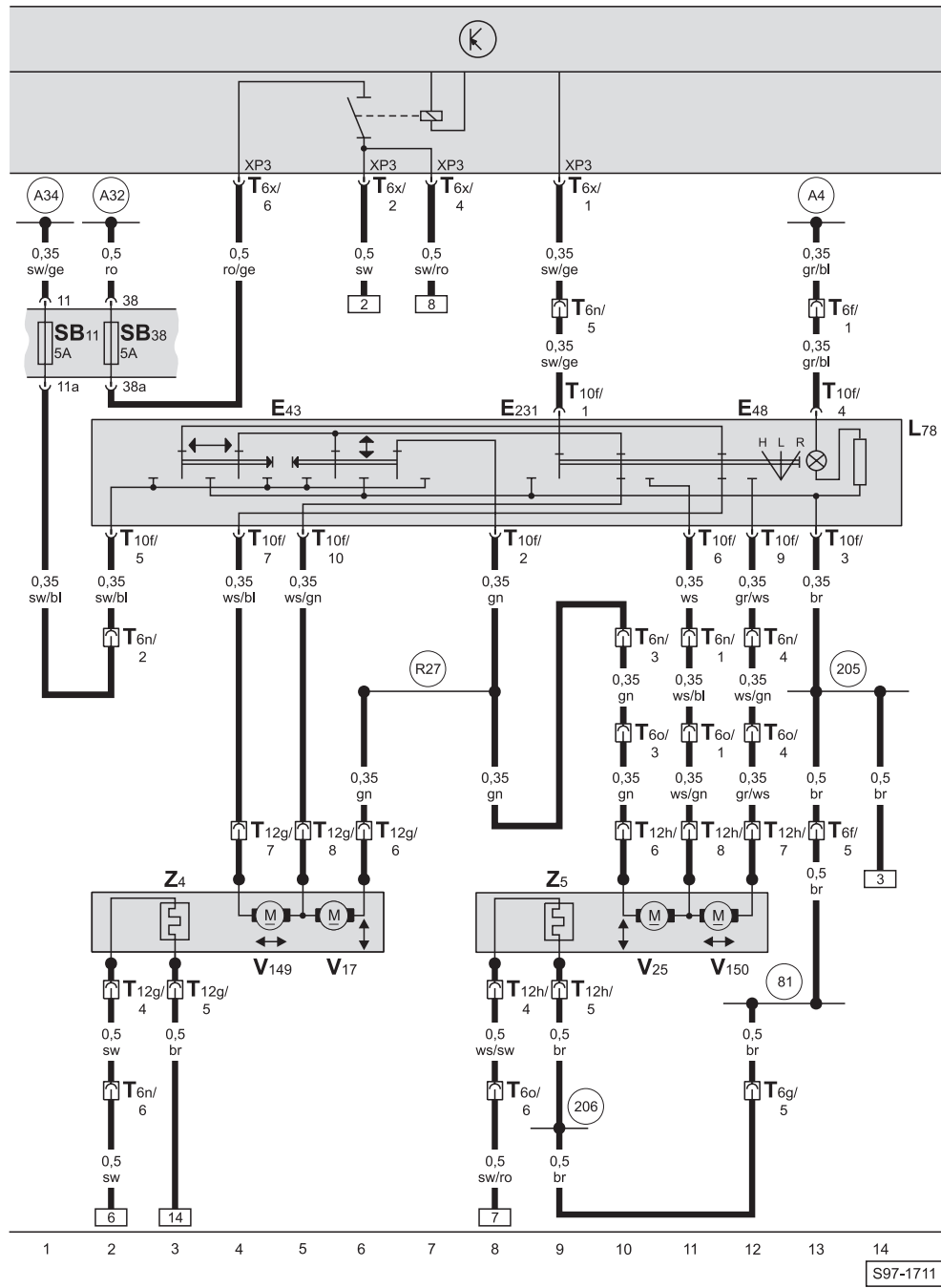
Fuse holder:



Fuse colours

- 30A - green
- 25A - white
- 20A - yellow
- 15A - blue
- 10A - red
- 7.5A - dark brown
- 5A - light brown

Heated and adjustable exterior mirror

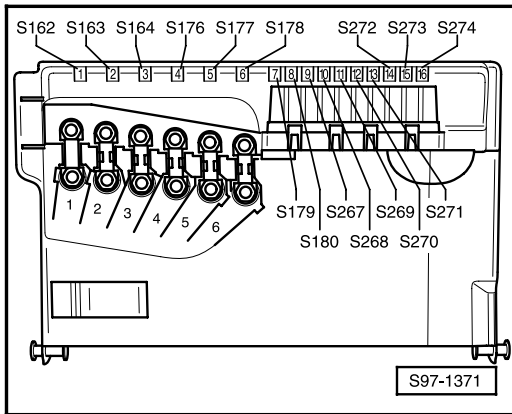


- E43 - Mirror adjustment switch
- E48 - Mirror adjustment changeover switch
- E231 - Exterior mirror heater pushbutton
- L78 - Mirror adjustment switch illumination
- T6f - 6-pin connector, at left A pillar (brown)
- T6g - 6-pin connector, at right A pillar (brown)
- T6n - 6-pin connector, at left A pillar (black)
- T6o - 6-pin connector, at right A pillar (black)
- T6x - 6-pin connector, at electrical system control unit (red)
- T10f - Connector, 10-pin, at mirror adjustment switch
- T12g - Connector, 12-pin, in driver door
- T12h - Connector, 12-pin, in front passenger door
- V17 - Mirror adjustment motor (driver's side)
- V25 - Mirror adjustment motor (passenger side)
- V149 - Mirror adjustment motor (driver side)
- V150 - Mirror adjustment motor (passenger side)
- Z4 - Heated exterior mirror, driver side
- Z5 - Heated exterior mirror (passenger side)

- 81 - Earth connection, in wiring harness behind dash panel
- 205 - Earth connection, in wiring harness of door assembly wiring driver side
- 206 - Earth connection, in door wiring loom - passenger side
- A4 - Positive connection (58b), in wiring loom behind dash panel
- A32 - Positive connection (30a), in wiring loom behind dash panel on left
- A34 - Positive connection (75x), in wiring loom behind dash panel
- R27 - Connection (mirror adjustment), in driver-side door wiring loom

Power assisted steering (TRW), as of August 1999

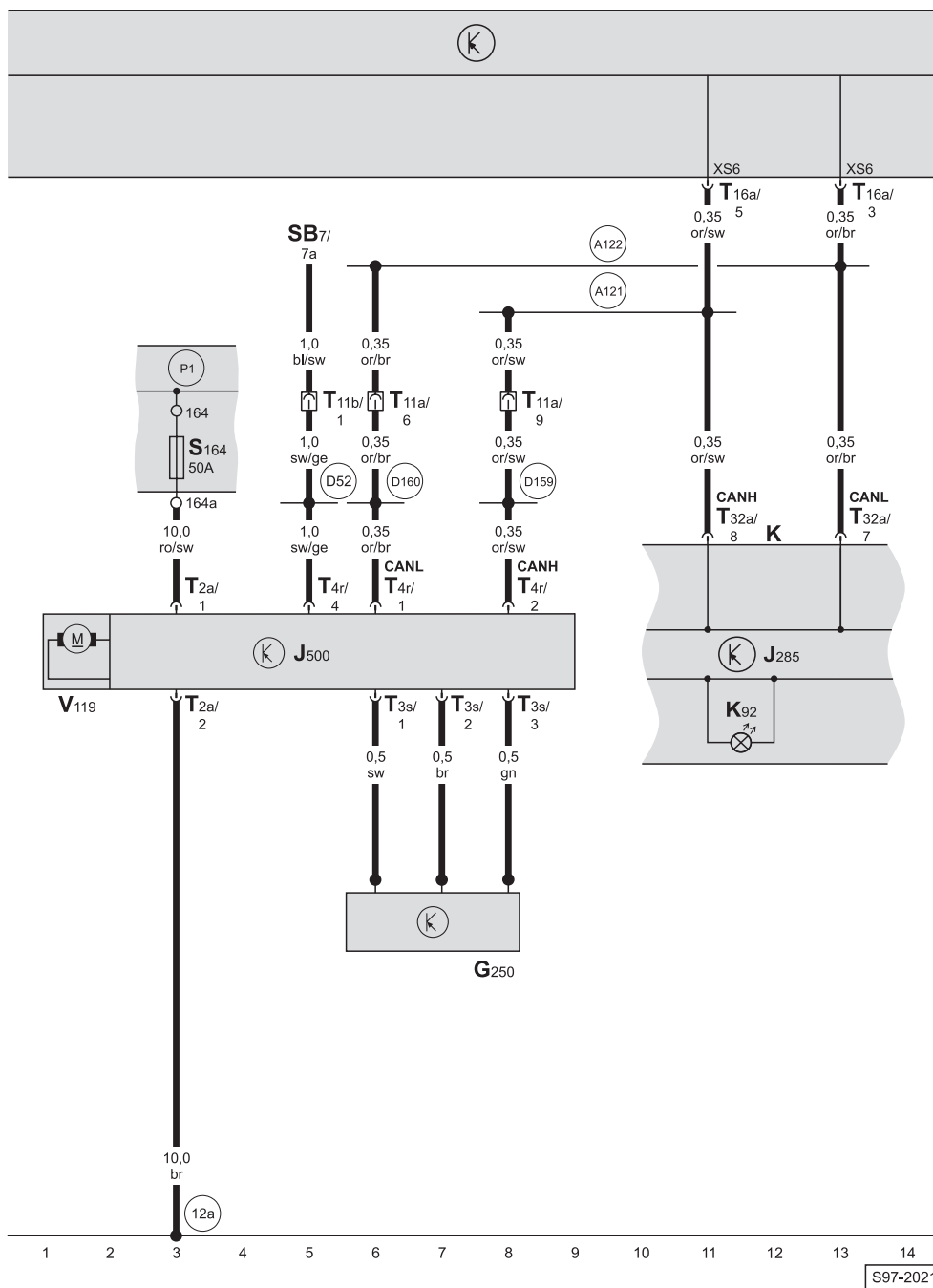
Fuse holder on battery:



Fuse colours

- 30A - green
- 25A - white
- 20A - yellow
- 15A - blue
- 10A - red
- 7.5A - brown
- 5A - beige

Power-assisted steering



- ws = white
- sw = black
- ro = red
- br = brown
- gn = green
- bl = blue
- gr = grey
- li = purple
- ge = yellow
- or = orange

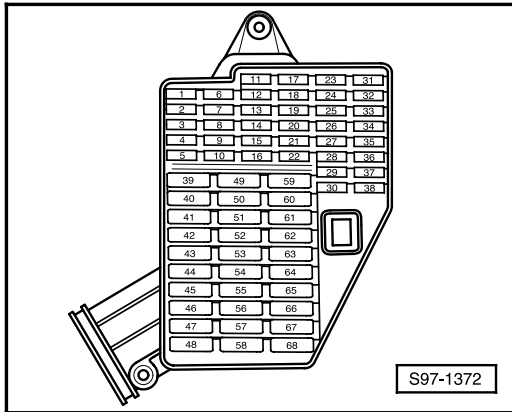
- G250 - Power-assisted steering sender
- J285 - Control unit in dash panel insert
- J500 - Power-assisted steering control unit
- K - Dash panel insert
- K92 - Servotronic warning lamp
- S164 - Fuse -3- (30), in fuse holder on battery
- SB7 - Fuse, in fuse holder
- T2a - Plug connection, 2-pin, at power-assisted steering control unit
- T3s - Plug connection, 3-pin, at power-assisted steering control unit
- T4r - Plug connection, 4-pin, at power-assisted steering control unit
- T11a - 11-pin connector, at left of bulkhead (white)
- T11b - 11-pin connector, at left of bulkhead (red)
- T16a - 16-pin connector, at electrical system control unit (black)
- T32a - 32-pin connector, at dash panel insert
- V119 - Power-assisted steering hydraulics pump

- 12a - Earth point -2-, in engine compartment, on left below battery (at side member)
- A121 - Connection (CAN-H), in wiring loom behind dash panel on
- A122 - Connection (CAN-L), in wiring loom behind dash panel
- D52 - Positive connection (15a), in engine compartment wiring loom
- D159 - Connection (CAN-H), in engine compartment wiring loom
- D160 - Connection (CAN-L), in engine compartment wiring loom
- P1 - Positive connection (30), in fuse holder on battery

S97-2021

Fog lights, from August 1999

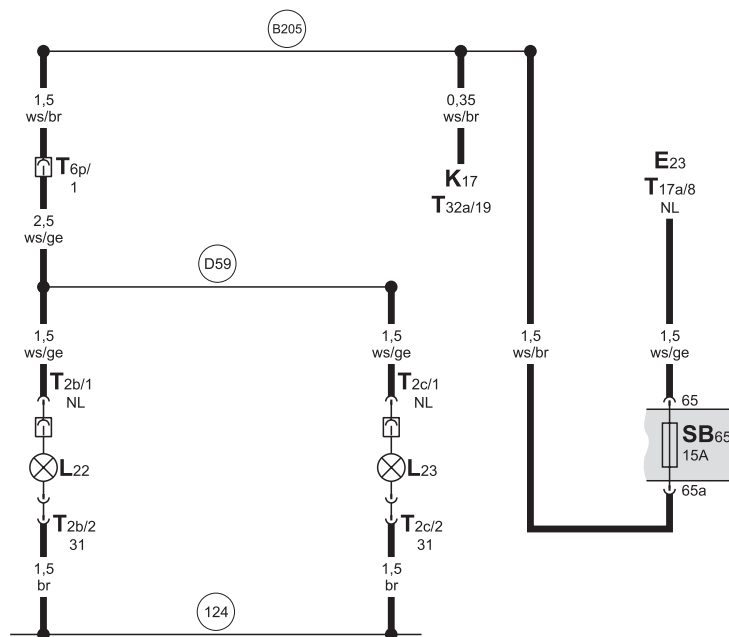
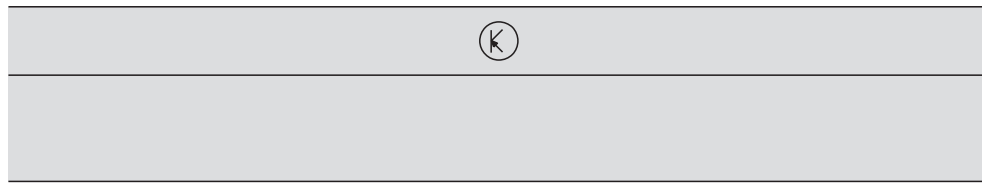
Fuse holder:



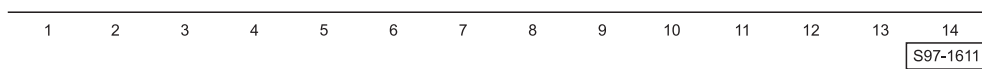
Fuse colours

- 30A - green
- 25A - white
- 20A - yellow
- 15A - blue
- 10A - red
- 7.5A - brown
- 5A - beige

Fog lights



- ws = white
- sw = black
- ro = red
- br = brown
- gn = green
- bl = blue
- gr = grey
- li = purple
- ge = yellow
- or = orange

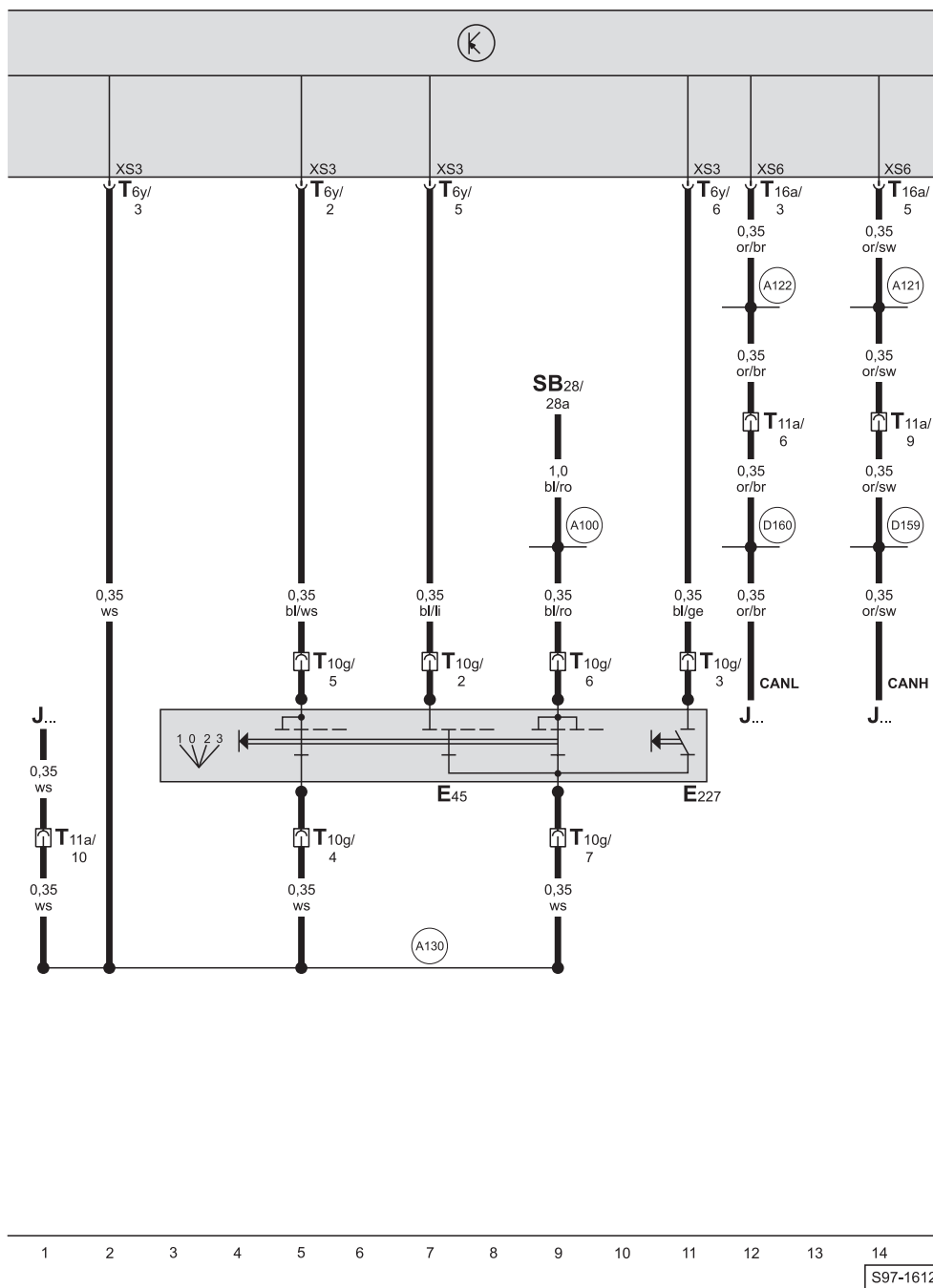


- E23 - Front and rear fog light switch
- K17 - Fog light warning lamp
- L22 - Front left fog light bulb
- L23 - Front right fog light bulb
- T2b - 2-pin connector, at left fog light
- T2c - 2-pin connector, at right fog light
- T6p - 6-pin connector, at left of bulkhead (red)
- T17a - 17-pin connector, at light switch
- T32a - 32-pin connector, at dash panel insert

- 124 - Earth connection, in engine compartment wiring harness
- B205 - Connection (fog lights), in wiring loom behind dash panel
- D59 - Connection (fog lights), in engine compartment wiring loom

Cruise control system, from August 1999

Cruise control system



- ws = white
- sw = black
- ro = red
- br = brown
- gn = green
- bl = blue
- gr = grey
- li = purple
- ge = yellow
- or = orange

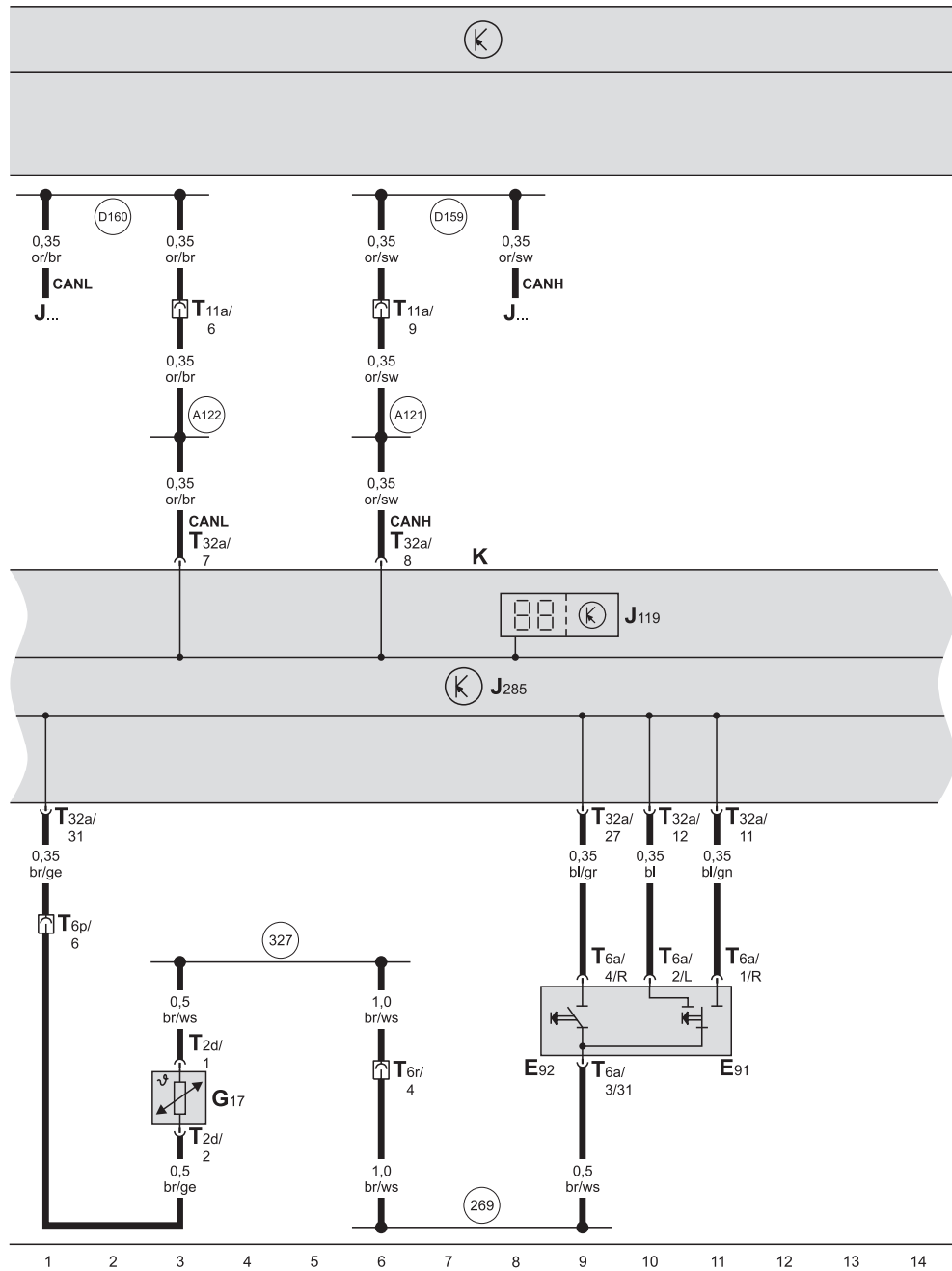
- E45 - Cruise control system switch
- E227 - Cruise control button (Set)
- J... - Engine control units
- SB28 - Fuse, in fuse holder
- T6y - 6-pin connector, at electrical system control unit (brown)
- T10g - 10-pin connector, at CCS switch
- T11a - 11-pin connector, at left of bulkhead (white)
- T16a - 16-pin connector, at electrical system control unit (black)

- A100 - Connection (87a), in wiring loom behind dash panel
- A121 - Connection (CAN-H), in wiring loom behind dash panel on
- A122 - Connection (CAN-L), in wiring loom behind dash panel
- A130 - Connection (CCS), in wiring loom behind dash panel on left
- D159 - Connection (CAN-H), in engine compartment wiring loom
- D160 - Connection (CAN-L), in engine compartment wiring loom

S97-1612

Multifunction display (MFA), from August 1999

Multifunction display (MFD)

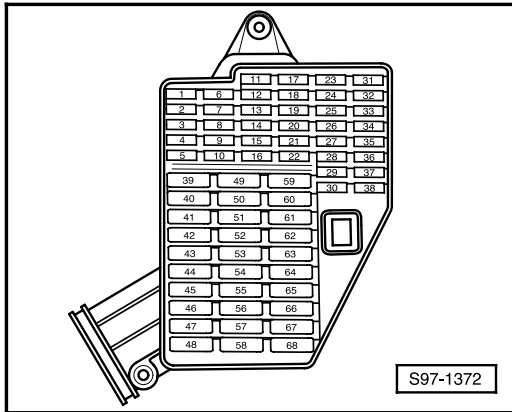


- E91 - Function selection switch
- E92 - Reset button
- G17 - Ambient temperature sensor
- J119 - Multifunction display
- J285 - Control unit in dash panel insert
- J... - Engine control units
- K - Dash panel insert
- T2d - 2-pin connector, at ambient temperature sensor
- T6a - 6-pin connector, at windscreen wiper intermittent switch
- T6p - 6-pin connector, at left of bulkhead (red)
- T6r - 6-pin connector, at left of bulkhead (brown)
- T11a - 11-pin connector, at left of bulkhead (white)
- T32a - 32-pin connector, at dash panel insert

- 269 - Earth connection (sender earth) -1-, in wiring harness behind dash panel
- 327 - Earth connection (sender earth), in engine compartment wiring harness
- A121 - Connection (CAN-H), in wiring loom behind dash panel on
- A122 - Connection (CAN-L), in wiring loom behind dash panel
- D159 - Connection (CAN-H), in engine compartment wiring loom
- D160 - Connection (CAN-L), in engine compartment wiring loom

Electric sliding roof, from August 1999

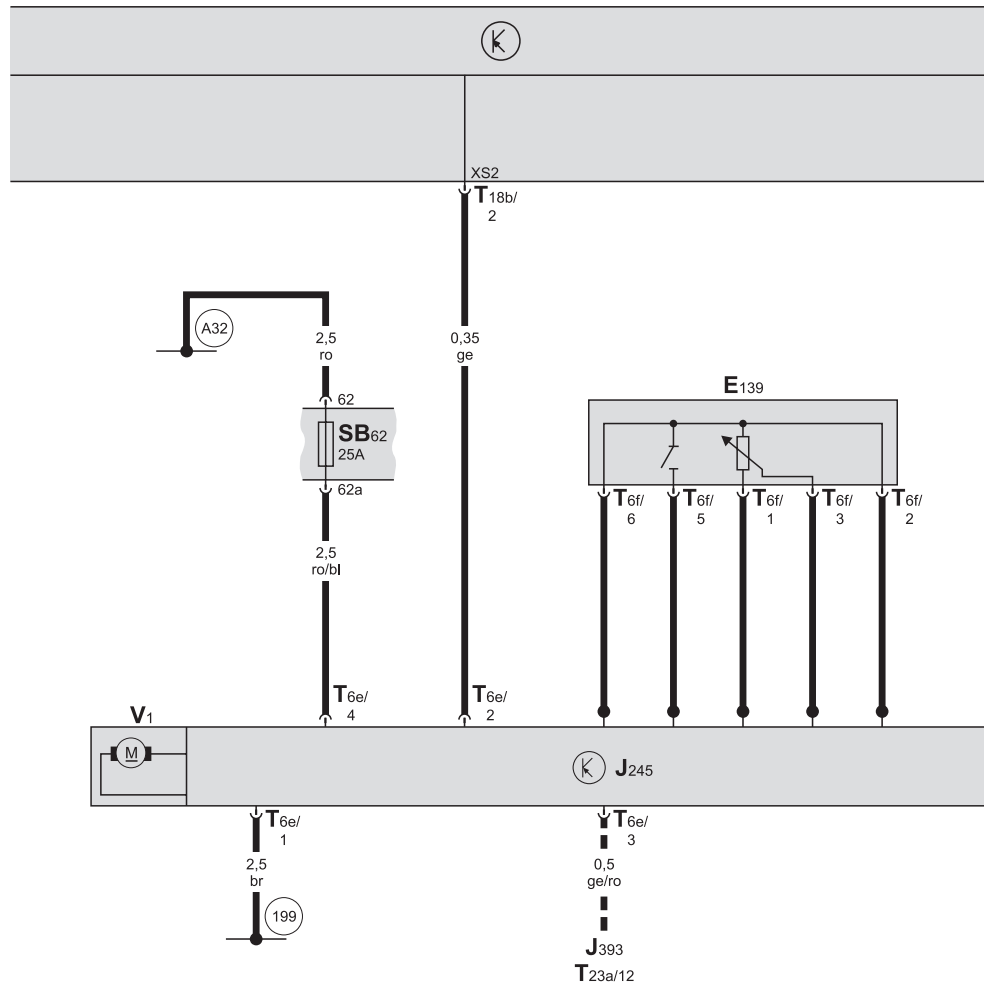
Fuse holder:



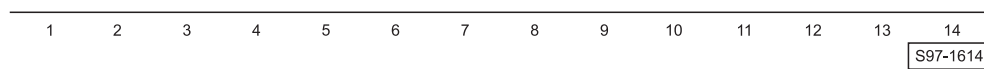
Fuse colours

- 30A - green
- 25A - white
- 20A - yellow
- 15A - blue
- 10A - red
- 7.5A - brown
- 5A - beige

Electric sliding roof



- ws = white
- sw = black
- ro = red
- br = brown
- gn = green
- bl = blue
- gr = grey
- li = purple
- ge = yellow
- or = orange

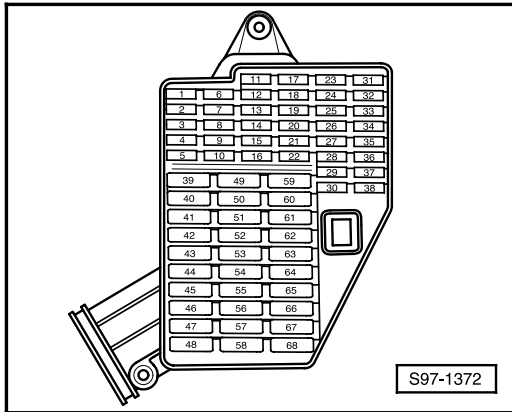


- E139 - Sliding roof adjustment controller
- J245 - Sliding roof adjustment control unit
- J393 - Convenience electrics central control unit
- T6e - 6-pin connector, at sliding roof adjustment control unit
- T6f - 6-pin connector, at sliding roof adjustment controller
- T18b - 18-pin connector, at electrical system control unit (black)
- T23a - 23-pin connector, at convenience electrics central control unit
- V1 - Sliding roof motor

- (199) - Earth connection, in wiring harness behind dash panel
- (A32) - Positive connection (30a), in wiring loom behind dash panel on left
- - Applies only to models with central locking

Seat heaters, from August 1999

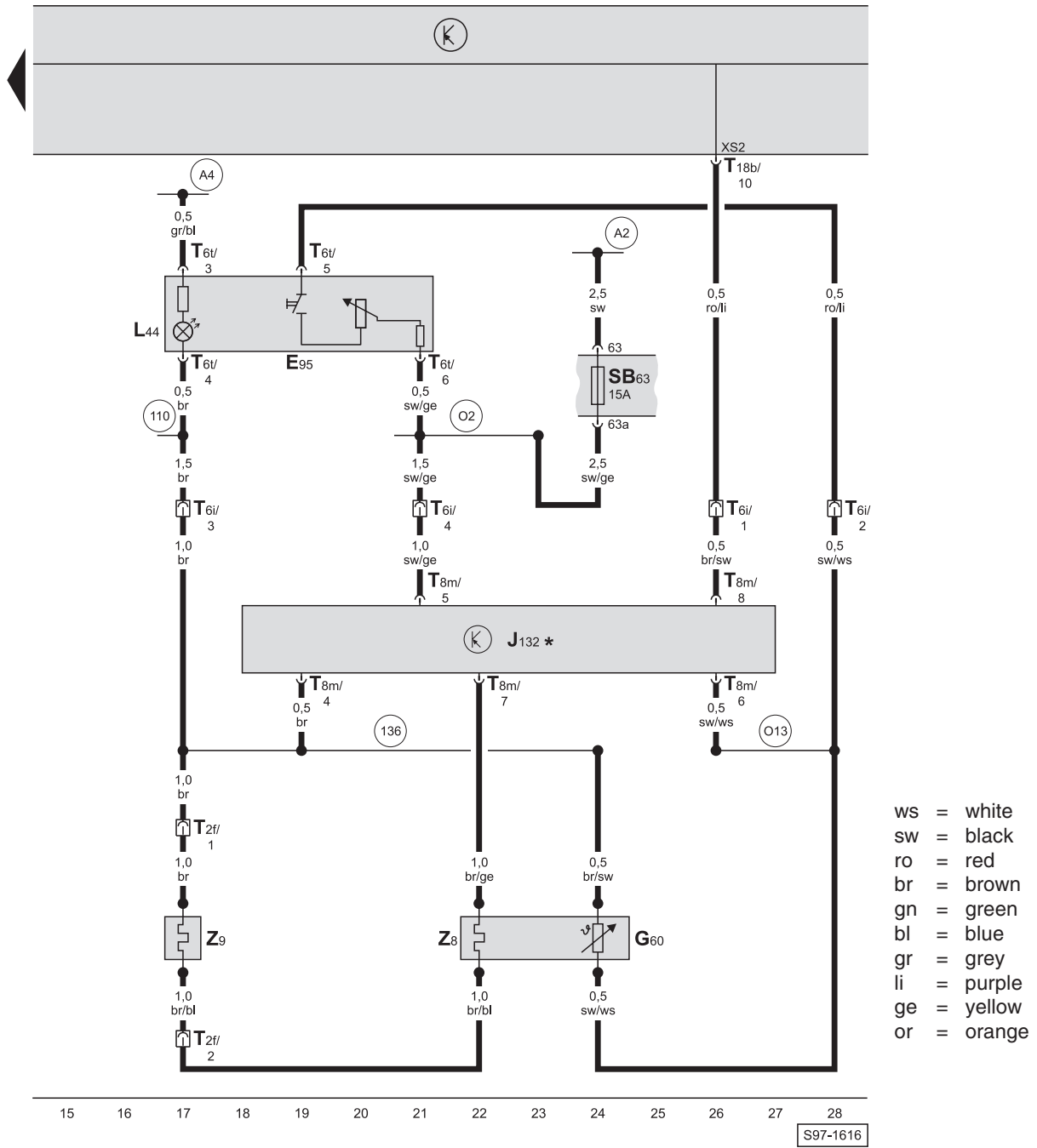
Fuse holder:



Fuse colours

- 30A - green
- 25A - white
- 20A - yellow
- 15A - blue
- 10A - red
- 7.5A - brown
- 5A - beige

Seat heater front passenger side, fuse holder



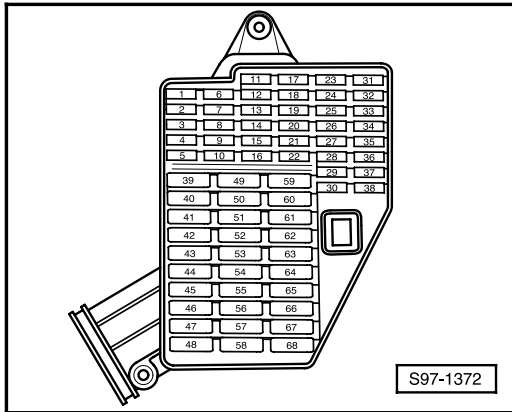
- E95 - Heated front passenger's seat switch with regulator
- G60 - Temperature sensor - front passenger's seat
- J132 - Heated passenger's seat control unit
- L44 - Bulb for illuminating seat heater regulator
- T2f - 2-pin connector, below passenger seat
- T6i - 6-pin connector, below passenger seat (green)
- T6t - 6-pin connector, at seat heater adjuster
- T8m - 8-pin connector, at heated front passenger seat control unit
- T18b - 18-pin connector, at electrical system control unit (black)
- Z8 - Heated front passenger's seat cushion
- Z9 - Heated front passenger's seat backrest

- (110) - Earth connection, in wiring harness behind dash panel
- (136) - Earth connection, in seat heater wiring loom front passenger side
- (A2) - Positive connection (15), in wiring loom behind dash panel
- (A4) - Positive connection (58b), in wiring loom behind dash panel
- (O2) - Positive connection (15a, seat heater), in wiring loom behind dash panel
- (O13) - Connection -2-, in seat heater wiring loom front passenger side

* - Below front passenger seat

Air conditioning, from August 1999

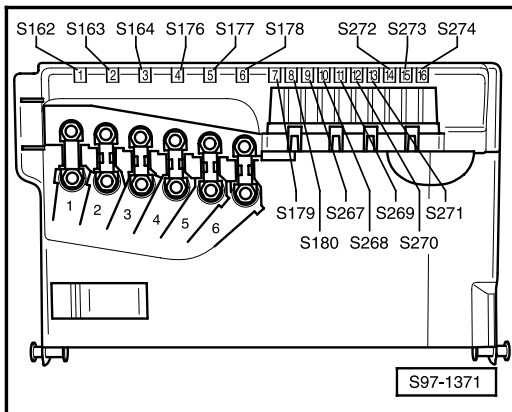
Fuse holder:



Fuse colours

- 30A - green
- 25A - white
- 20A - yellow
- 15A - blue
- 10A - red
- 7.5A - brown
- 5A - beige

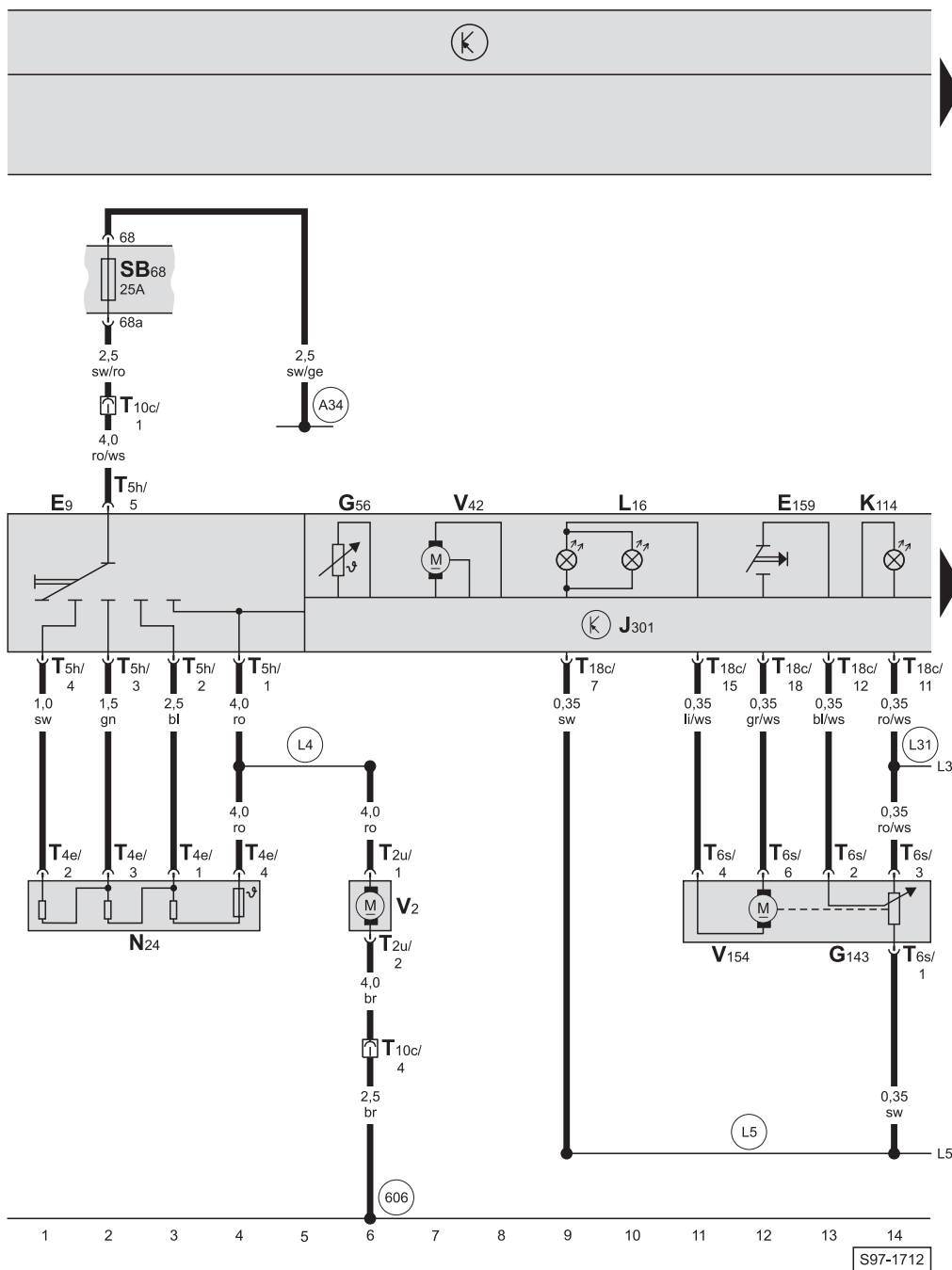
Fuse holder on battery:



Fuse colours

- 30A - green
- 25A - white
- 20A - yellow
- 15A - blue
- 10A - red
- 7.5A - brown
- 5A - beige

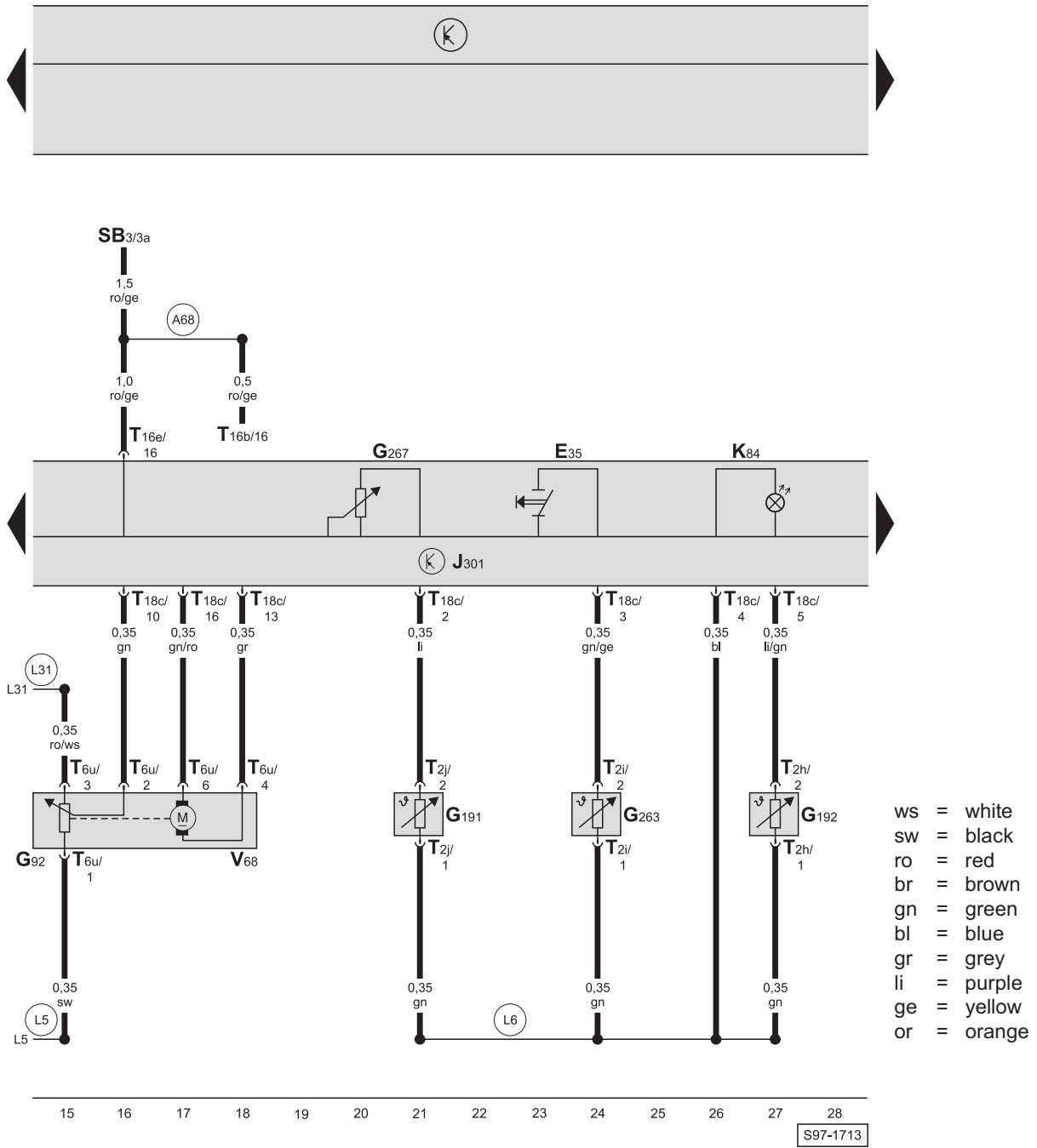
Air conditioning control unit, fresh air blower, fresh and recirculated air flap positioning motor, fuse holder



- E9 - Fresh air blower switch
- E159 - Fresh and recirculated air flap switch
- G56 - Dash panel temperature sensor
- G143 - Fresh and recirculated air flap positioning motor potentiometer
- J301 - AC control unit
- K114 - Fresh air and air recirculation operation warning lamp
- L16 - Air conditioning control lighting
- N24 - Series resistor with overheating fuse
- T2u - 2-pin connector, at fresh air blower
- T4e - 4-pin connector, at fresh air blower series resistor
- T5h - 5-pin connector, at fresh air blower switch
- T6s - 6-pin connector, at fresh/recirculated air flap positioning motor
- T10c - 10-pin connector, behind dash panel on right
- T18c - 18-pin connector, at air conditioning control unit
- V2 - Fresh air blower
- V42 - Temperature sensor blower - dash panel
- V154 - Fresh and recirculated air flap motor

- (606) - Earth point, under the centre console, near gear stick
- (A34) - Positive connection (75x), in wiring loom behind dash panel
- (L4) - Connection (75a), in air conditioning wiring loom
- (L5) - Connection (sender earth), in air conditioning wiring loom
- (L31) - Connection (5V), in air conditioning wiring loom

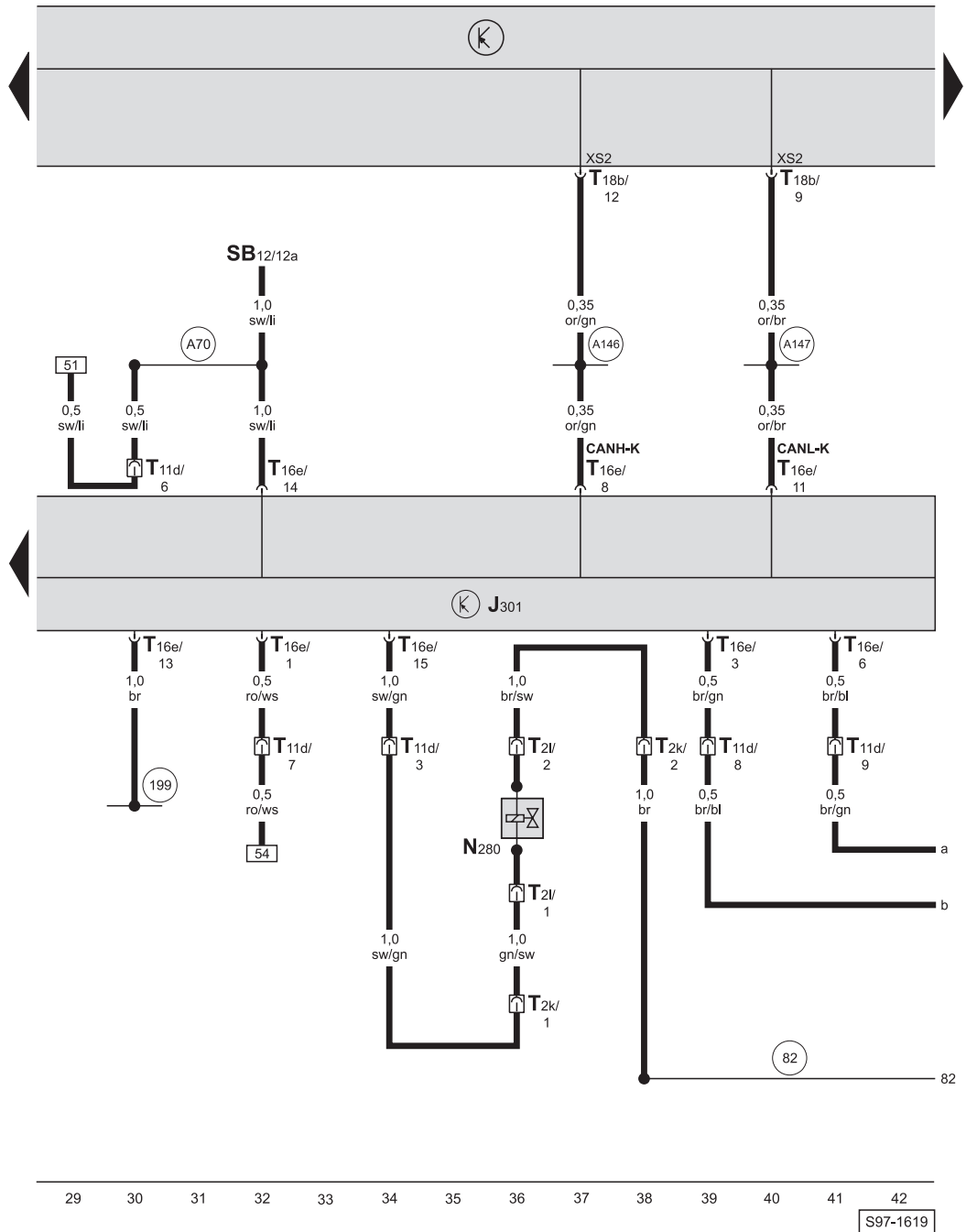
Air conditioning control unit, temperature flap positioning motor, temperature sender



- E35 - Air conditioner switch
- G92 - Temperature flap positioning motor potentiometer
- G191 - Centre outlet air temperature sender
- G192 - Footwell vent temperature sender
- G263 - Evaporator outlet air temperature sender
- G267 - Temperature selector rotary knob potentiometer
- J301 - AC control unit
- K84 - Air conditioning warning light
- SB3 - Fuse, in fuse holder
- T2h - 2-pin connector, at footwell vent temperature sender
- T2i - 2-pin connector, at evaporator outlet air temperature sender
- T2j - 2-pin connector, at centre outlet air temperature sender
- T6u - 6-pin connector, at temperature flap positioning motor
- T16b - 16-pin connector, in glove box on driver's side (diagnosis connection)
- T16e - 16-pin connector, at AC control unit
- T18c - 18-pin connector, at air conditioning control unit
- V68 - Temperature flap positioning motor

- (A68) - Positive connection (30a, AC), in wiring loom behind dash panel
- (L5) - Connection (sender earth), in air conditioning wiring loom
- (L6) - Connection (sender earth), in air conditioning wiring loom
- (L31) - Connection (5V), in air conditioning wiring loom

Air conditioning control unit, AC compressor control valve

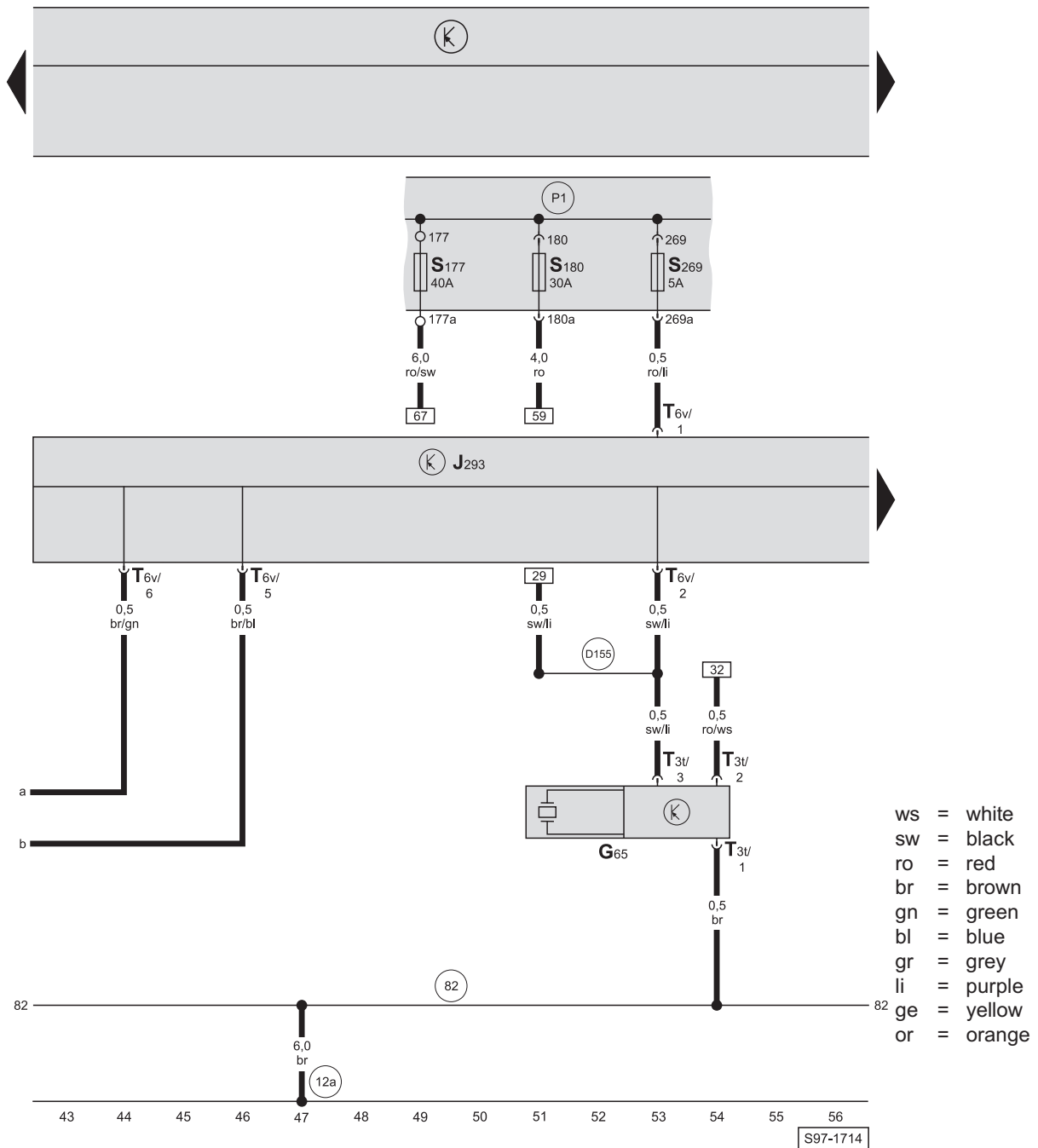


- ws = white
- sw = black
- ro = red
- br = brown
- gn = green
- bl = blue
- gr = grey
- li = purple
- ge = yellow
- or = orange

- J301 - AC control unit
- N280 - AC compressor control valve
- SB12 - Fuse, in fuse holder
- T2k - 2-pin connector, in bracket at gearbox
- T2l - 2-pin connector, at compressor
- T11d - 11-pin connector, at left of bulkhead (brown)
- T16e - 16-pin connector, at AC control unit
- T18b - 18-pin connector, at electrical system control unit (black)

- 82 - Earth connection, in front left wiring harness
- 199 - Earth connection, in wiring harness behind dash panel
- A70 - Positive connection (15a), in wiring loom behind dash panel
- A146 - Connection (CAN-H, convenience), in wiring loom behind dash panel
- A147 - Connection (CAN-L, convenience), in wiring loom behind dash panel

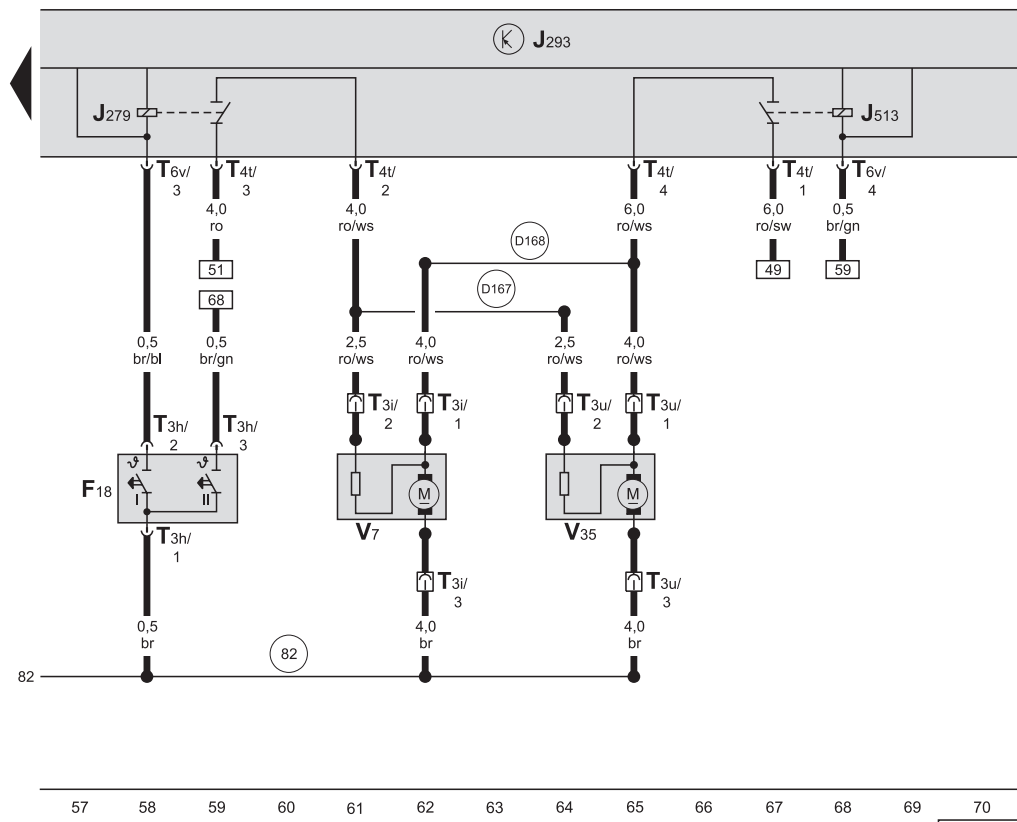
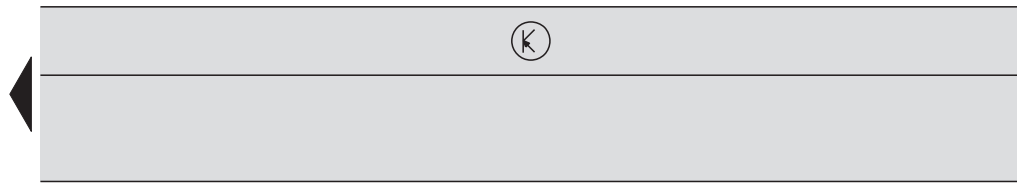
Radiator fan control unit, fuse holder on battery, high-pressure sensor



- G65 - High-pressure sensor
- J293 - Radiator fan control unit
- S177 - Fuse -5- (30), in fuse holder on battery
- S180 - Fuse -8- (30), in fuse holder on battery
- S269 - Fuse -11- (30), in fuse holder on battery
- T3t - 3-pin connector, at high-pressure sensor
- T6v - 6-pin connector, at radiator fan control unit

- 12a - Earth point -2-, in engine compartment, on left below battery (at side member)
- 82 - Earth connection, in front left wiring harness
- D155 - Connection (15, high-pressure sender), in engine compartment wiring loom
- P1 - Positive connection (30), in fuse holder on battery

Radiator fan control unit, radiator fan thermosthwitch, radiator fan



- ws = white
- sw = black
- ro = red
- br = brown
- gn = green
- bl = blue
- gr = grey
- li = purple
- ge = yellow
- or = orange

57 58 59 60 61 62 63 64 65 66 67 68 69 70

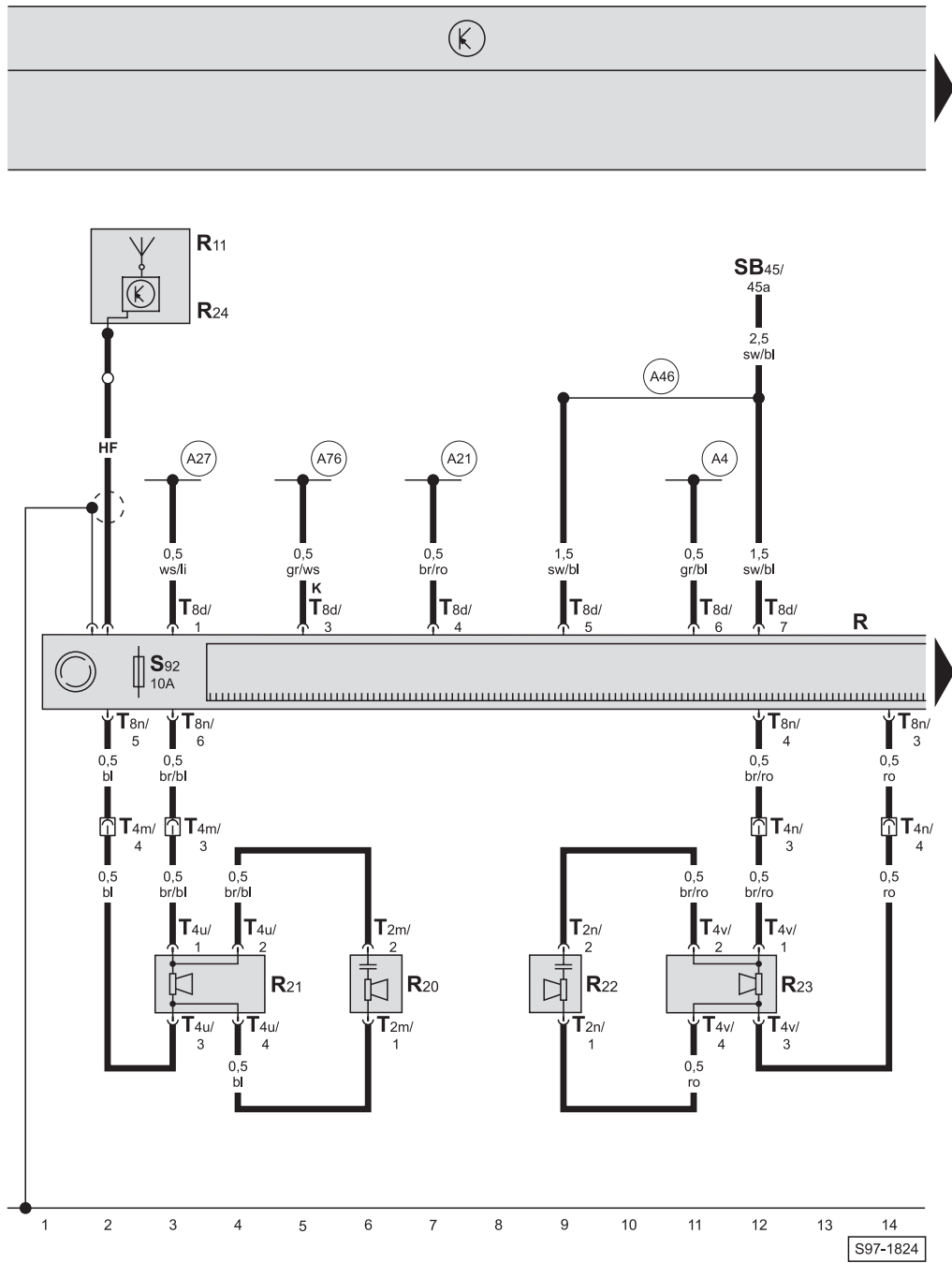
S97-2636

- F18 - Radiator fan thermosthwitch
- J279 - Radiator fan relay, stage 1
- J293 - Radiator fan control unit
- J513 - Radiator fan relay, stage 2
- T3h - 3-pin connector, at radiator fan thermosthwitch
- T3i - 3-pin connector, in bracket on left of radiator
- T3u - 3-pin connector, in bracket on left of radiator
- T4t - 4-pin connector, at radiator fan control unit
- T6v - 6-pin connector, at radiator fan control unit
- V7 - Radiator fan
- V35 - Radiator fan, right

- (82) - Earth connection, in front left wiring harness
- (D167) - Connection (fan stage 1), in engine compartment wiring loom
- (D168) - Connection (fan stage 2), in engine compartment wiring loom

Radio system, from August 1999

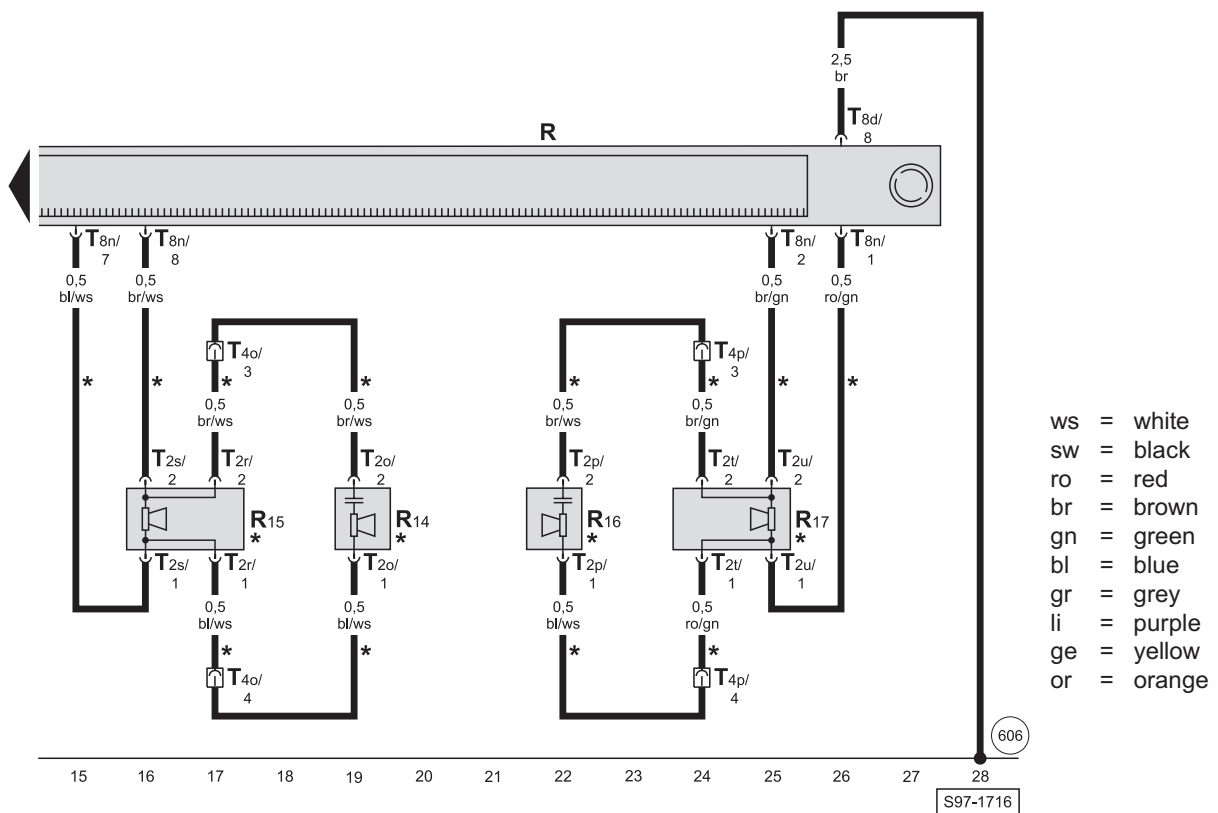
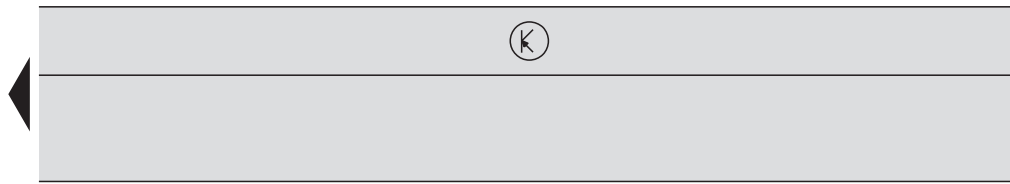
Radio, front speakers, aerial



- R - Radio
- R11 - Aerial
- R20 - Treble loudspeaker, front left
- R21 - Bass loudspeaker, front left
- R22 - Treble loudspeaker, front right
- R23 - Bass loudspeaker, front right
- R24 - Aerial amplifier
- S92 - Radio fuse
- SB45 - Fuse, in fuse holder
- T2m - 2-pin connector, at front left treble loudspeaker
- T2n - 2-pin connector, at front right treble loudspeaker
- T4m - 4-pin connector, at left A pillar (black)
- T4n - 4-pin connector, at right A pillar (black)
- T4u - 4-pin connector, at left front woofer
- T4v - 4-pin connector, at right front woofer
- T8d - 8-pin connector, at radio (black)
- T8n - 8-pin connector, at radio (brown)

- (A4) - Positive connection (58b), in wiring loom behind dash panel
- (A21) - Positive connection (86s), in wiring loom behind dash panel
- (A27) - Connection (vehicle speed signal), in wiring loom behind dash panel
- (A46) - Positive connection (30 - from radio), in wiring loom behind dash panel
- (A76) - Connection (K diagnosis wire), in wiring loom behind dash panel on left

Radio, rear speakers



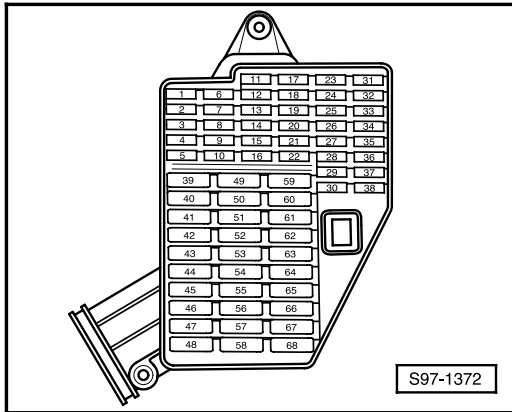
- R - Radio
- R14 - Treble loudspeaker, rear left
- R15 - Bass loudspeaker, rear left
- R16 - Treble loudspeaker, rear right
- R17 - Bass loudspeaker, rear right
- T2o - 2-pin connector, at rear left treble loudspeaker
- T2p - 2-pin connector, at rear right treble loudspeaker
- T2r - 2-pin connector, at rear left bass loudspeaker
- T2s - 2-pin connector, at rear left bass loudspeaker
- T2t - 2-pin connector, at rear right bass loudspeaker
- T2u - 2-pin connector, at rear right bass loudspeaker
- T4o - 4-pin connector, at left B pillar (black)
- T4p - 4-pin connector, at right B pillar (black)
- T8d - 8-pin connector, at radio (black)
- T8n - 8-pin connector, at radio (brown)

606 - Earth point, under the centre console, near gear stick

* - Applies only to models with 8 speakers

Anti-theft alarm system, from August 1999

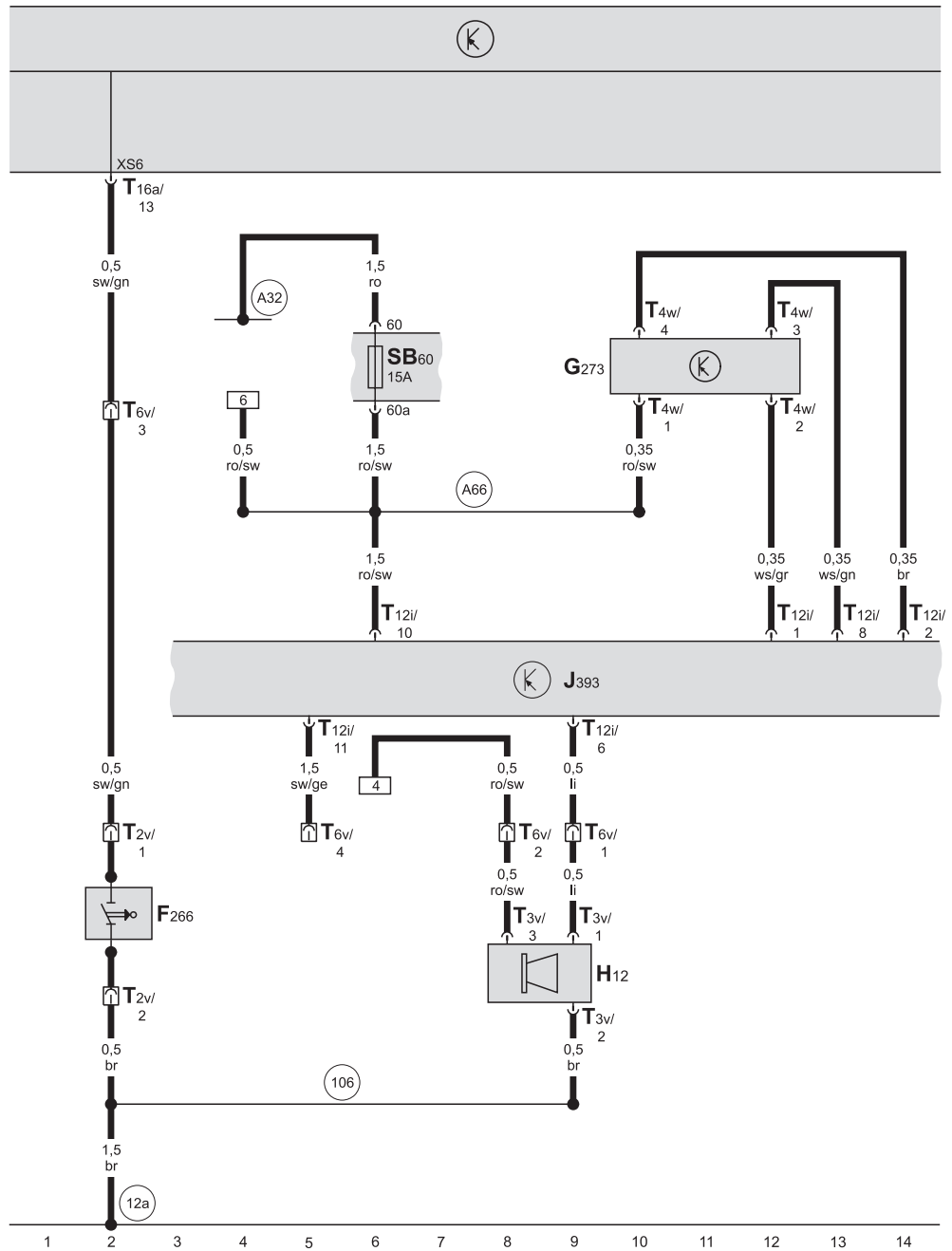
Fuse holder:



Fuse colours

- 30A - green
- 25A - white
- 20A - yellow
- 15A - blue
- 10A - red
- 7.5A - brown
- 5A - beige

Anti-theft alarm



- ws = white
- sw = black
- ro = red
- br = brown
- gn = green
- bl = blue
- gr = grey
- li = purple
- ge = yellow
- or = orange

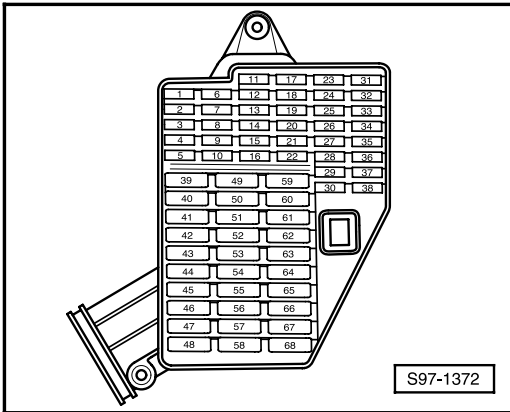
- F266 - Vermin repellent system contact switch
- G273 - Sensor for interior monitoring
- H12 - Alarm horn
- J393 - Convenience electrics central control unit
- T2v - 2-pin connector, at bonnet contact switch
- T3v - 3-pin connector, at alarm horn
- T4w - 4-pin connector, at interior motion sensor
- T6v - 6-pin connector, at left of bulkhead (green)
- T12i - 12-pin connector, at convenience electrics central control unit (brown)
- T16a - 16-pin connector, at electrical system control unit (black)

- 12a - Earth point -2-, in engine compartment, on left below battery (at side member)
- 106 - Earth connection (anti-theft alarm system), in engine compartment wiring loom
- A32 - Positive connection (30a), in wiring loom behind dash panel on left
- A66 - Connection (30a, anti-theft alarm system), in wiring loom behind dash panel

S97-2022

Headlight washer system, from August 1999

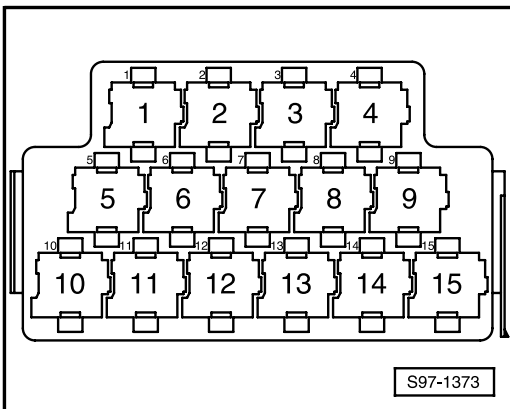
Fuse holder:



Fuse colours

- 30A - green
- 25A - white
- 20A - yellow
- 15A - blue
- 10A - red
- 7.5A - brown
- 5A - beige

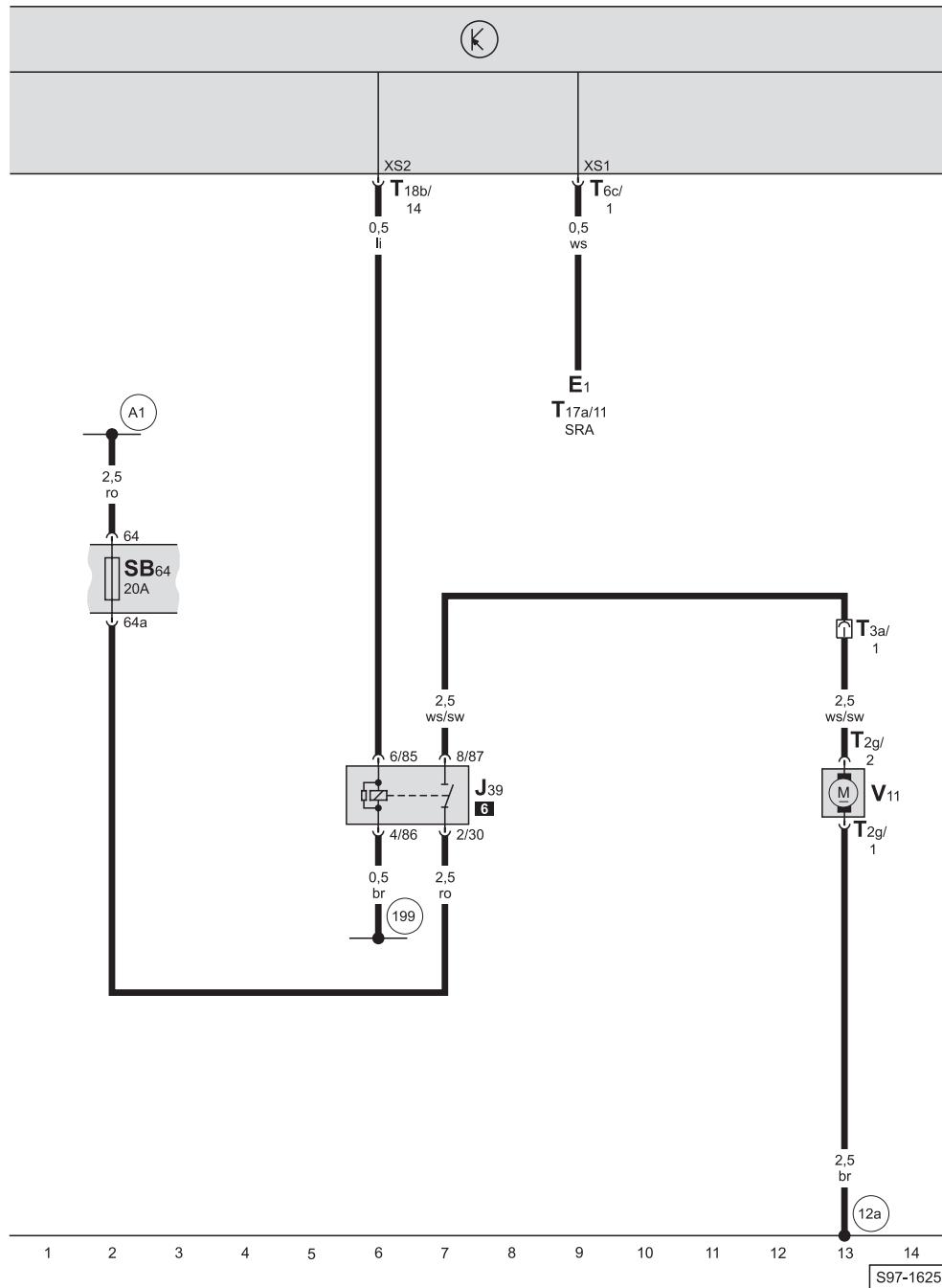
Relay holder:



Relay position assignment

- 6** - Headlight washer system relay

Headlight washer system relay, headlight washer system pump, fuse holder



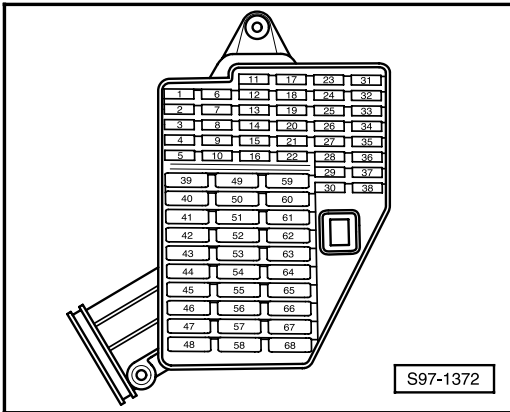
- ws = white
- sw = black
- ro = red
- br = brown
- gn = green
- bl = blue
- gr = grey
- li = purple
- ge = yellow
- or = orange

- E1 - Light switch
- J39 - Headlight washer system relay
- T2g - 2-pin connector, at headlight wash system pump
- T3a - 3-pin connector, at left of bulkhead (grey)
- T6c - 6-pin connector, at electrical system control unit (black)
- T17a - 17-pin connector, at light switch
- T18b - 18-pin connector, at electrical system control unit (black)
- V11 - Headlight washer pump

- 12a - Earth point -2-, in engine compartment, on left below battery (at side member)
- 199 - Earth connection, in wiring harness behind dash panel
- A1 - Positive connection (30a), in wiring loom behind dash panel

Bulb failure indicator, from August 1999

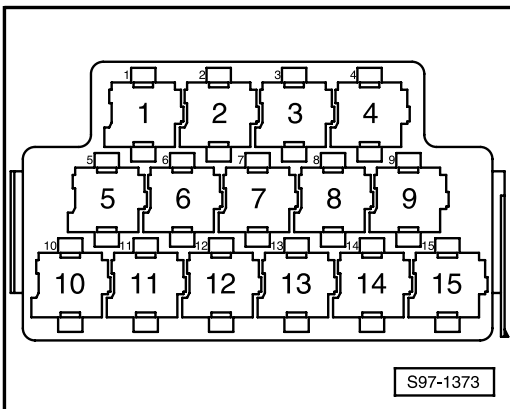
Fuse holder:



Fuse colours

- 30A - green
- 25A - white
- 20A - yellow
- 15A - blue
- 10A - red
- 7.5A - brown
- 5A - beige

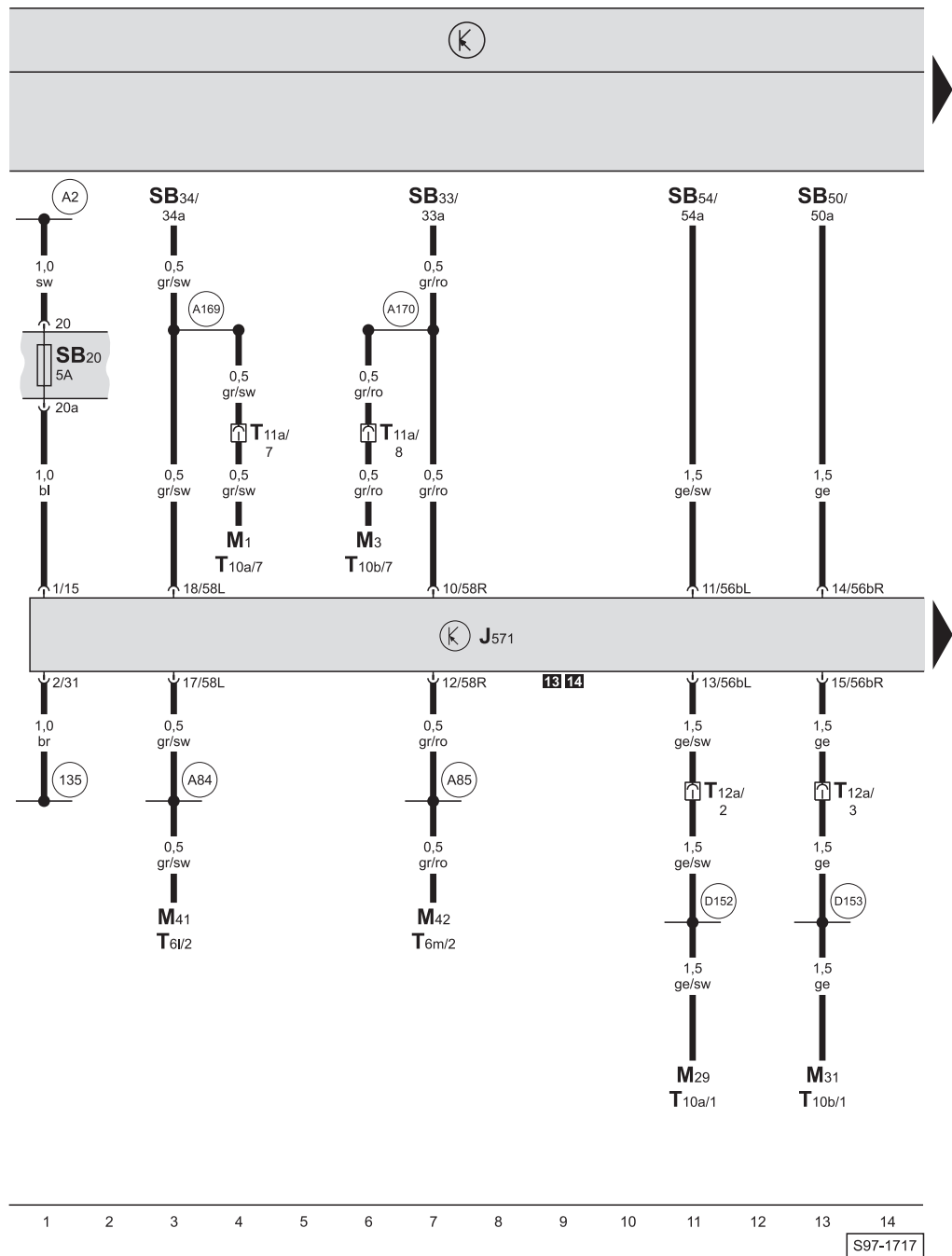
Relay holder:



Relay position assignment

- 13** - Bulb failure control unit
- 14** - Bulb failure control unit

Bulb failure indicator

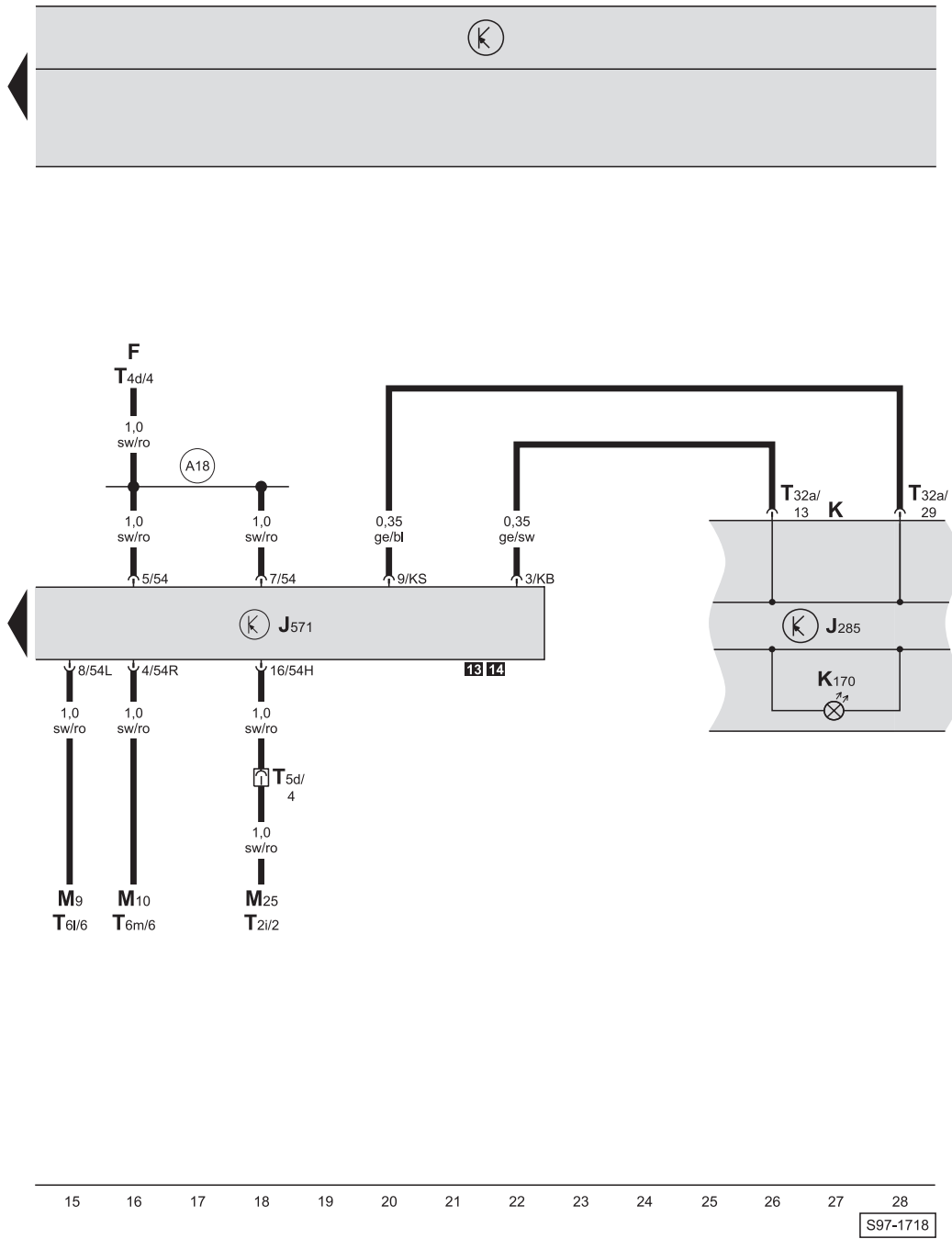


- ws = white
- sw = black
- ro = red
- br = brown
- gn = green
- bl = blue
- gr = grey
- li = purple
- ge = yellow
- or = orange

- J571 - Bulb failure control unit
- M1 - Side light bulb, left
- M3 - Side light bulb, right
- M29 - Headlight dipped beam bulb, left
- M31 - Headlight dipped beam bulb, right
- M41 - Left tail light and rear fog light bulb
- M42 - Right tail light and rear fog light bulb
- T6l - 6-pin connector, at left tail light
- T6m - 6-pin connector, at right tail light
- T10a - 10-pin connector, at left headlight
- T10b - 10-pin connector, at right headlight
- T11a - 11-pin connector, at left of bulkhead (white)
- T12a - 12-pin connector, at left of bulkhead (white)
- SB33 - Fuse, in fuse holder
- SB34 - Fuse, in fuse holder
- SB50 - Fuse, in fuse holder
- SB54 - Fuse, in fuse holder

- 135 - Earth connection, in wiring harness behind dash panel
- A2 - Positive connection (15), in wiring loom behind dash panel
- A84 - Connection (58L), in wiring loom behind dash panel
- A85 - Connection (58R), in wiring loom behind dash panel
- A169 - Connection -2- (58L), in wiring loom behind dash panel
- A170 - Connection -2- (58R), in wiring loom behind dash panel
- D152 - Positive connection (56bL), in left engine compartment wiring loom
- D153 - Positive connection (56bR), in right engine compartment wiring loom

Bulb failure indicator



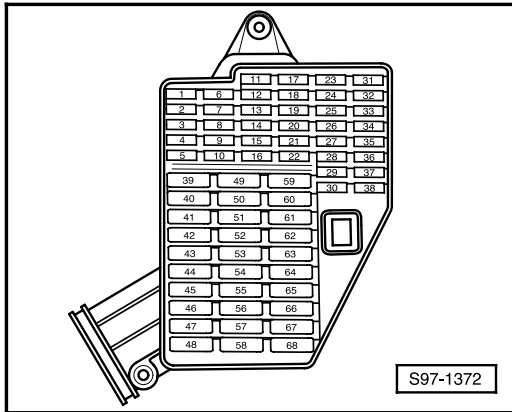
- ws = white
- sw = black
- ro = red
- br = brown
- gn = green
- bl = blue
- gr = grey
- li = purple
- ge = yellow
- or = orange

- F - Brake light switch
- J285 - Control unit in dash panel insert
- J571 - Bulb failure control unit
- K - Dash panel insert
- K170 - Bulb failure indicator
- M9 - Brake light bulb, left
- M10 - Brake light bulb, right
- M25 - Centre high-mounted brake light bulb
- T2i - 2-pin connector, at centre high-mounted brake light
- T4d - 4-pin connector, at brake pedal switch
- T5d - 5-pin connector, at left C pillar (pink)
- T6l - 6-pin connector, at left tail light
- T6m - 6-pin connector, at right tail light
- T32a - 32-pin connector, at dash panel insert

(A18) - Connection (54), in wiring loom behind dash panel

Heated washer nozzles, from August 1999

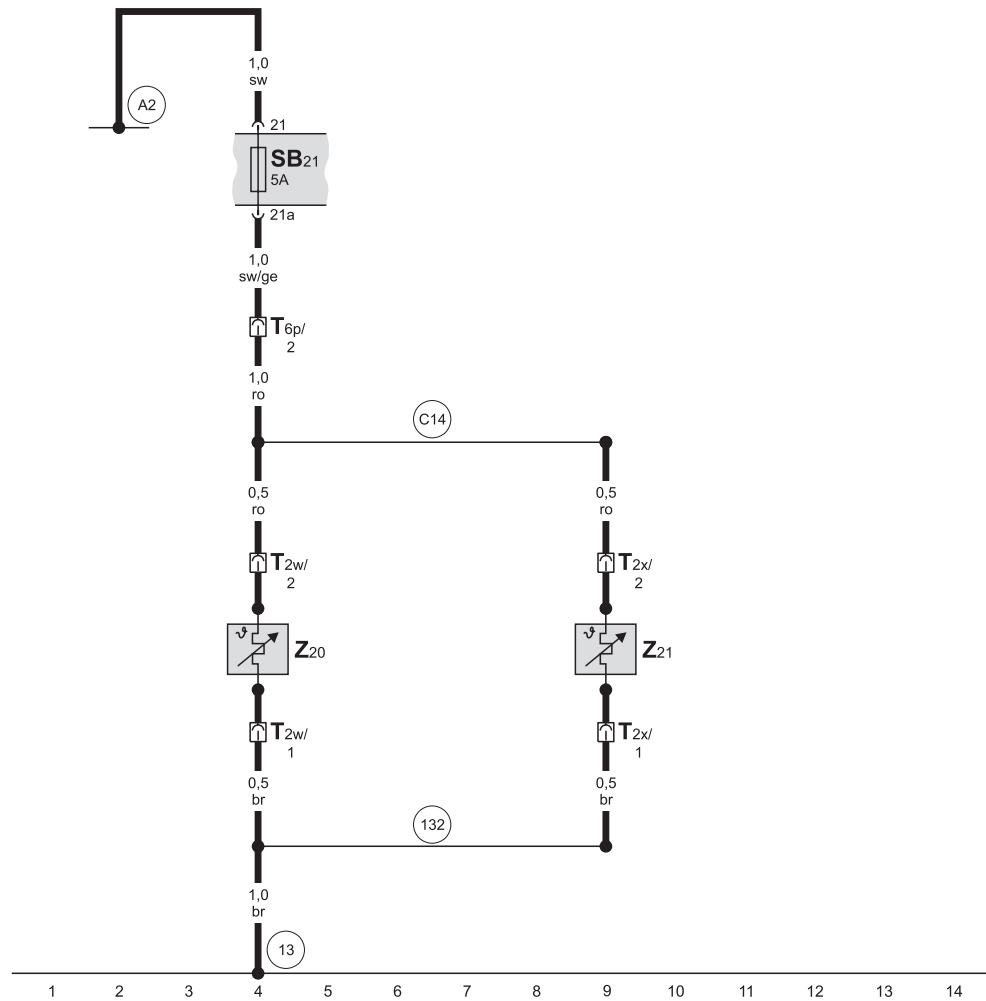
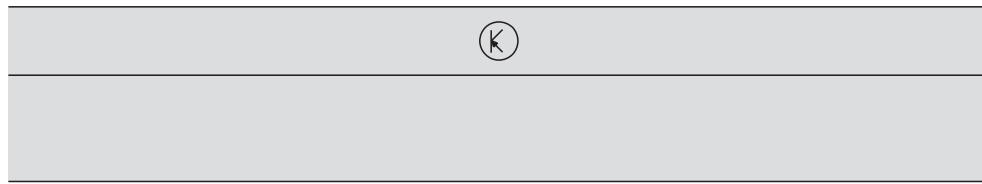
Fuse holder:



Fuse colours

- 30A - green
- 25A - white
- 20A - yellow
- 15A - blue
- 10A - red
- 7.5A - brown
- 5A - beige

Heated washer nozzles



- ws = white
- sw = black
- ro = red
- br = brown
- gn = green
- bl = blue
- gr = grey
- li = purple
- ge = yellow
- or = orange

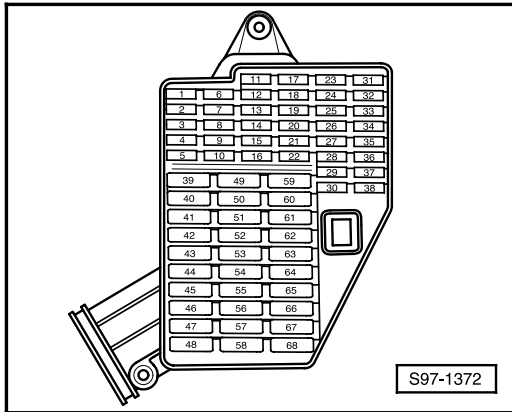
- T2w - 2-pin connector, at left washer nozzle heating resistor
- T2x - 2-pin connector, at right washer nozzle heating resistor
- T6p - 6-pin connector, at left of bulkhead (red)
- Z20 - Left washer nozzle heating resistor
- Z21 - Right washer nozzle heating resistor

- 13 - Earth point, in front right of engine compartment
- 132 - Earth connection -3-, in engine compartment wiring harness
- A2 - Positive connection (15), in wiring loom behind dash panel
- C14 - Positive connection (15, heated washer nozzles), in engine compartment wiring loom

S97-1628

Daytime driving light, from August 1999

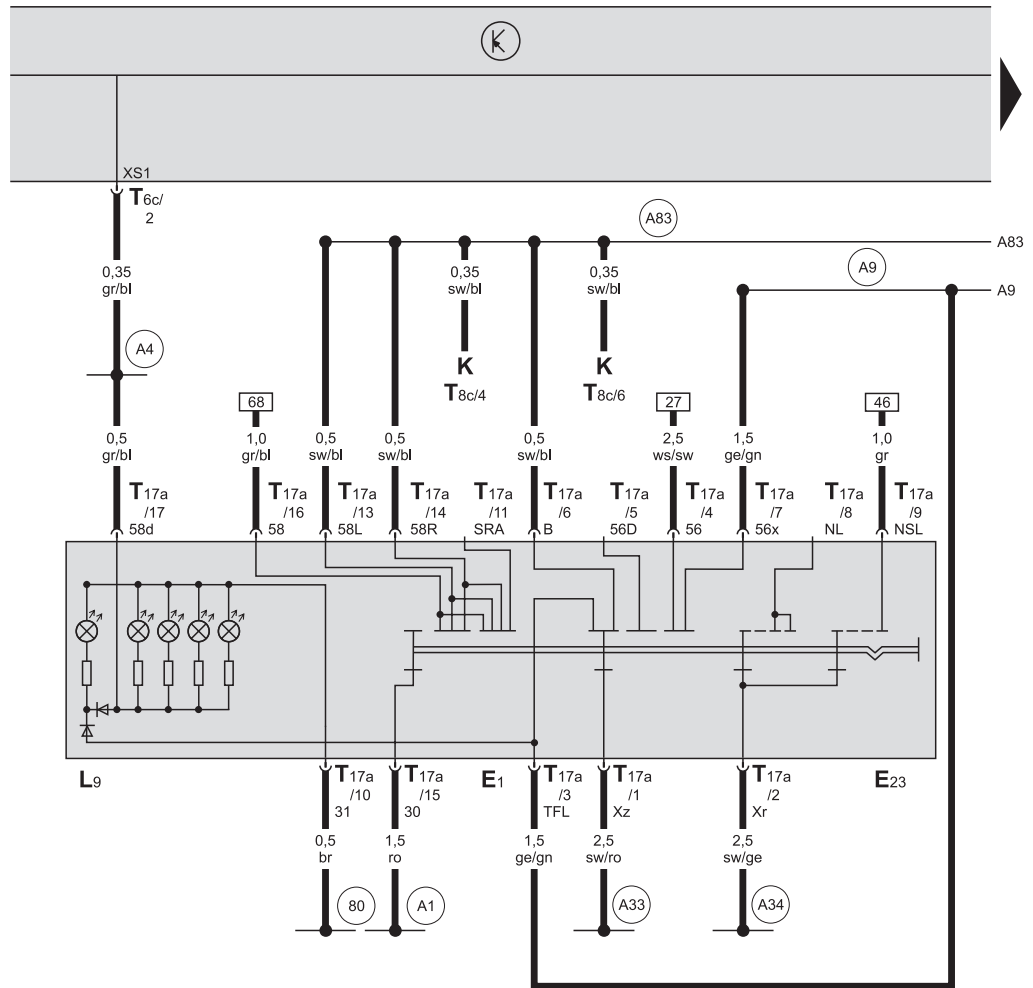
Fuse holder:



Fuse colours

- 30A - green
- 25A - white
- 20A - yellow
- 15A - blue
- 10A - red
- 7.5A - brown
- 5A - beige

Light switch



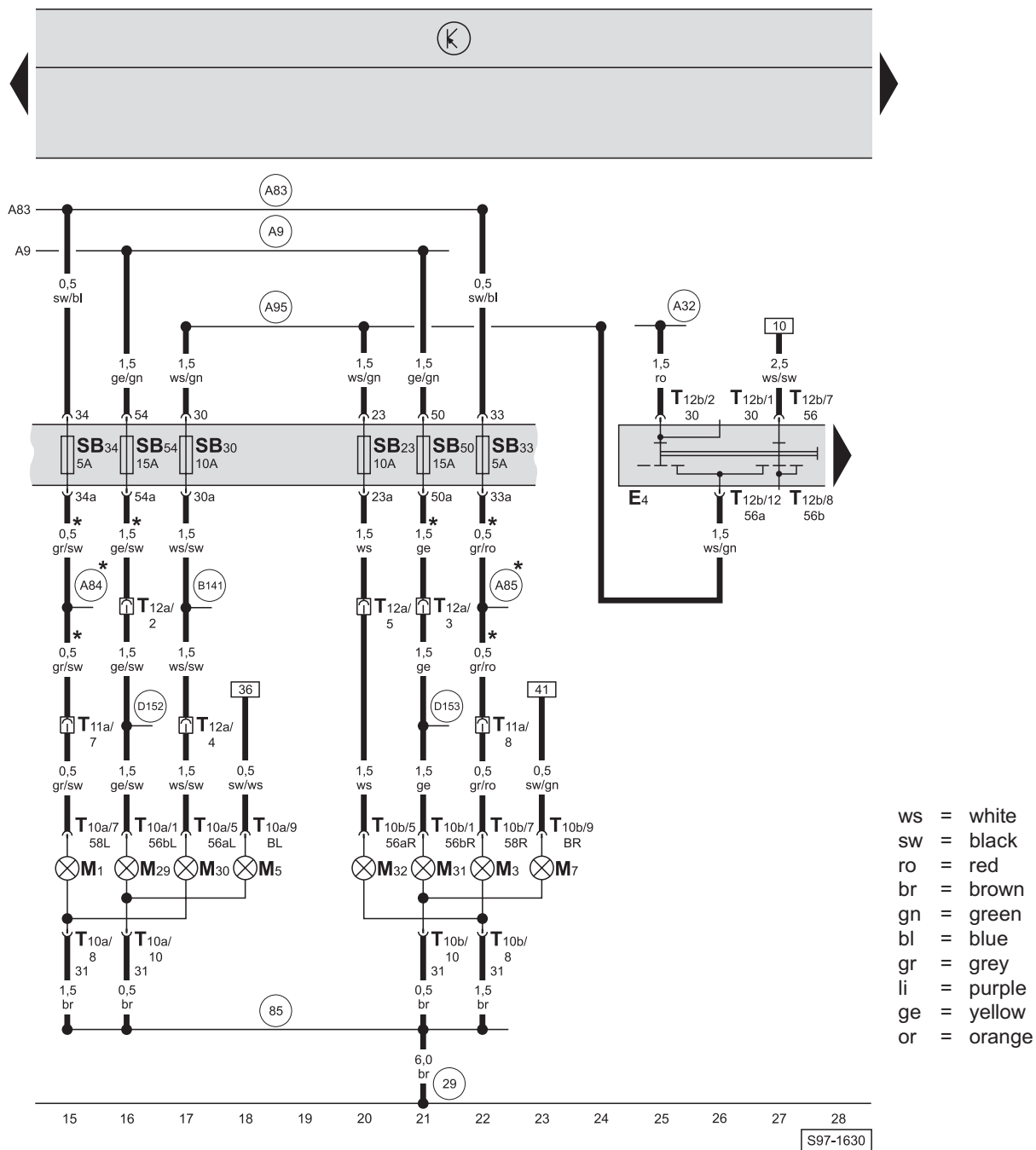
- ws = white
- sw = black
- ro = red
- br = brown
- gn = green
- bl = blue
- gr = grey
- li = purple
- ge = yellow
- or = orange



- E1 - Light switch
- E23 - Front and rear fog light switch
- K - Dash panel insert
- L9 - Lighting switch illumination bulb
- T6c - 6-pin connector, at electrical system control unit (black)
- T8c - 8-pin connector, at dash panel insert
- T17a - 17-pin connector, at light switch

- 80 - Earth connection, in wiring harness behind dash panel
- A1 - Positive connection (30a), in wiring loom behind dash panel
- A4 - Positive connection (58b), in wiring loom behind dash panel
- A9 - Connection (56b), in wiring loom behind dash panel
- A33 - Positive connection (75), in wiring loom behind dash panel
- A34 - Positive connection (75x), in wiring loom behind dash panel
- A83 - Connection (58, daytime running lights), in wiring loom behind dash panel on left

Headlight dipper/flasher switch, headlights, fuse holder



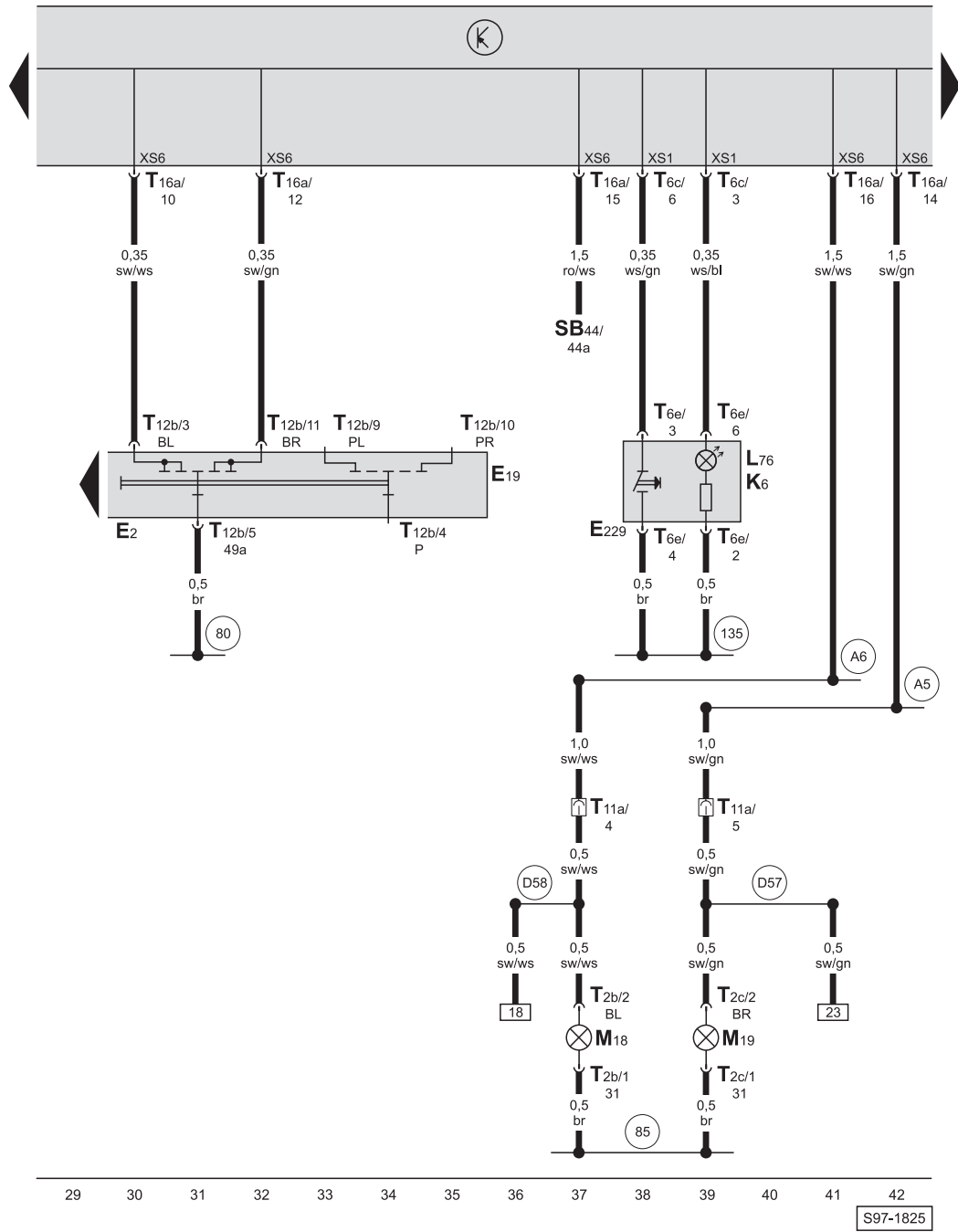
- ws = white
- sw = black
- ro = red
- br = brown
- gn = green
- bl = blue
- gr = grey
- li = purple
- ge = yellow
- or = orange

- E4 - Headlight dipper/flasher switch
- M1 - Side light bulb, left
- M3 - Side light bulb, right
- M5 - Turn signal bulb, front left
- M7 - Turn signal bulb, front right
- M29 - Headlight dipped beam bulb, left
- M30 - Headlight main beam bulb, left
- M31 - Headlight dipped beam bulb, right
- M32 - Headlight main beam bulb, right
- T10a - 10-pin connector, at left headlight
- T10b - 10-pin connector, at right headlight
- T11a - 11-pin connector, at left of bulkhead (white)
- T12a - 12-pin connector, at left of bulkhead (white)
- T12b - 12-pin connector, at headlight dipper/flasher switch
- 29 - Earth point, in left of engine compartment, behind battery (at suspension strut mounting)
- 85 - Earth connection -1-, in wiring loom in left of engine compartment

- A9 - Connection (56b), in wiring loom behind dash panel
- A32 - Positive connection (30a), in wiring loom behind dash panel on left
- A83 - Connection (58, daytime running lights), in wiring loom behind dash panel on left
- A84 - Connection (58L), in wiring loom behind dash panel
- A85 - Connection (58R), in wiring loom behind dash panel
- A95 - Connection (56a), in wiring loom behind dash panel
- B141 - Connection (56aL), in wiring loom behind dash panel
- D152 - Positive connection (56bL), in left engine compartment wiring loom
- D153 - Positive connection (56bR), in right engine compartment wiring loom

* - Does not apply to models with bulb failure indicator

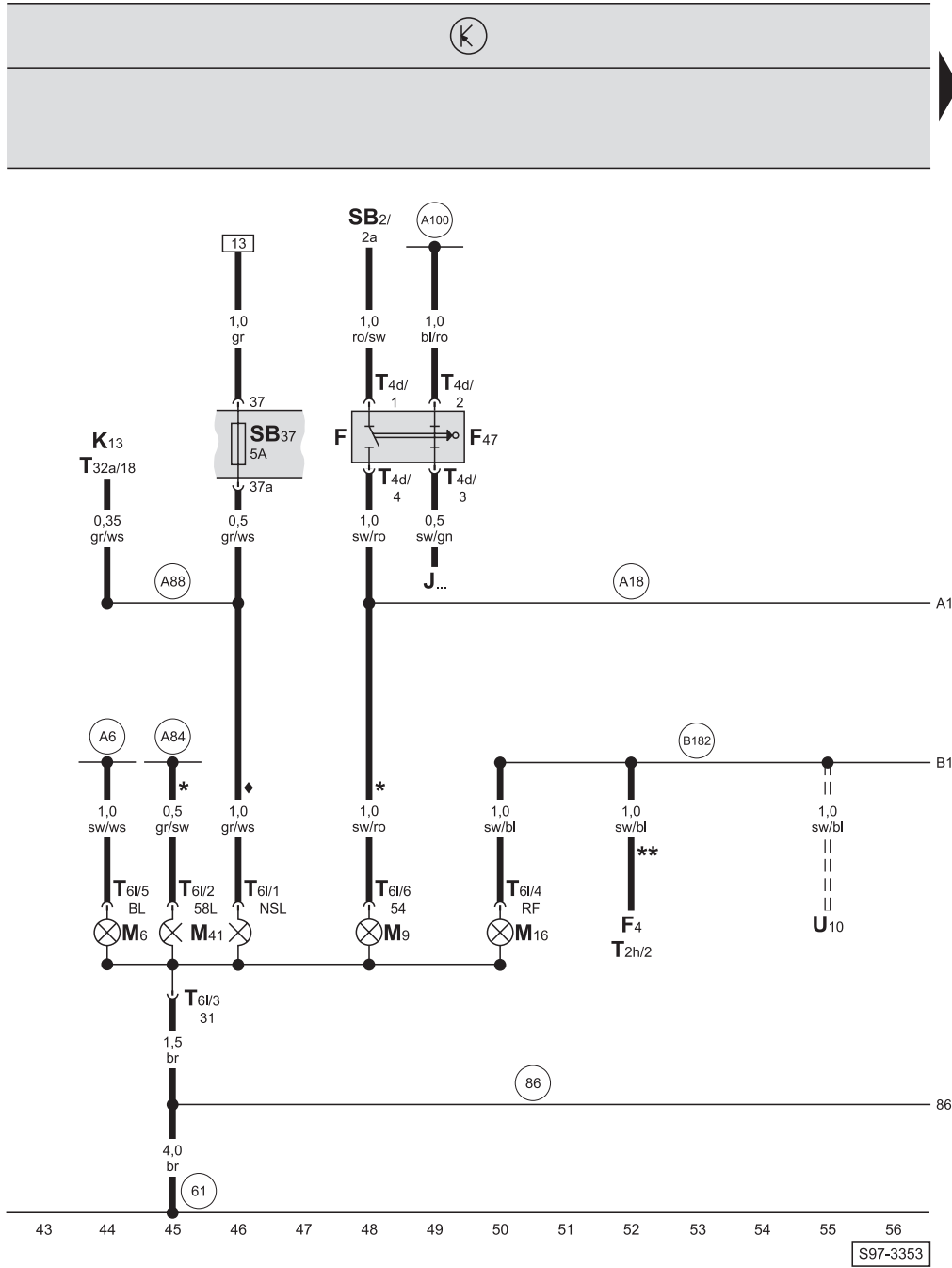
Turn signal light switch, parking light switch, hazard warning light pushbutton, side turn signal light



- E2 - Turn signal switch
- E19 - Parking light switch
- E229 - Button for hazard warning lights
- K6 - Hazard warning light system warning lamp
- L76 - Switch/button illumination
- M18 - Side turn signal bulb, left
- M19 - Side turn signal bulb, right
- SB44 - Fuse, in fuse holder
- T2b - 2-pin connector, at left side turn signal light
- T2c - 2-pin connector, at right side turn signal light
- T6c - 6-pin connector, at electrical system control unit (black)
- T6e - 6-pin connector, at hazard warning light pushbutton
- T11a - 11-pin connector, at left of bulkhead (white)
- T12b - 12-pin connector, at turn signal light switch
- T16a - 16-pin connector, at electrical system control unit (black)

- (80) - Earth connection, in wiring harness behind dash panel
- (85) - Earth connection -1-, in wiring loom in left of engine compartment
- (135) - Earth connection, in wiring harness behind dash panel
- (A5) - Positive connection (right turn signal light), in wiring loom behind dash panel
- (A6) - Positive connection (left turn signal light), in wiring loom behind dash panel
- (D57) - Connection (right turn signal light), in right engine compartment wiring loom
- (D58) - Connection (left turn signal light), in left engine compartment wiring loom

Brake light switch, left tail light, fuse holder



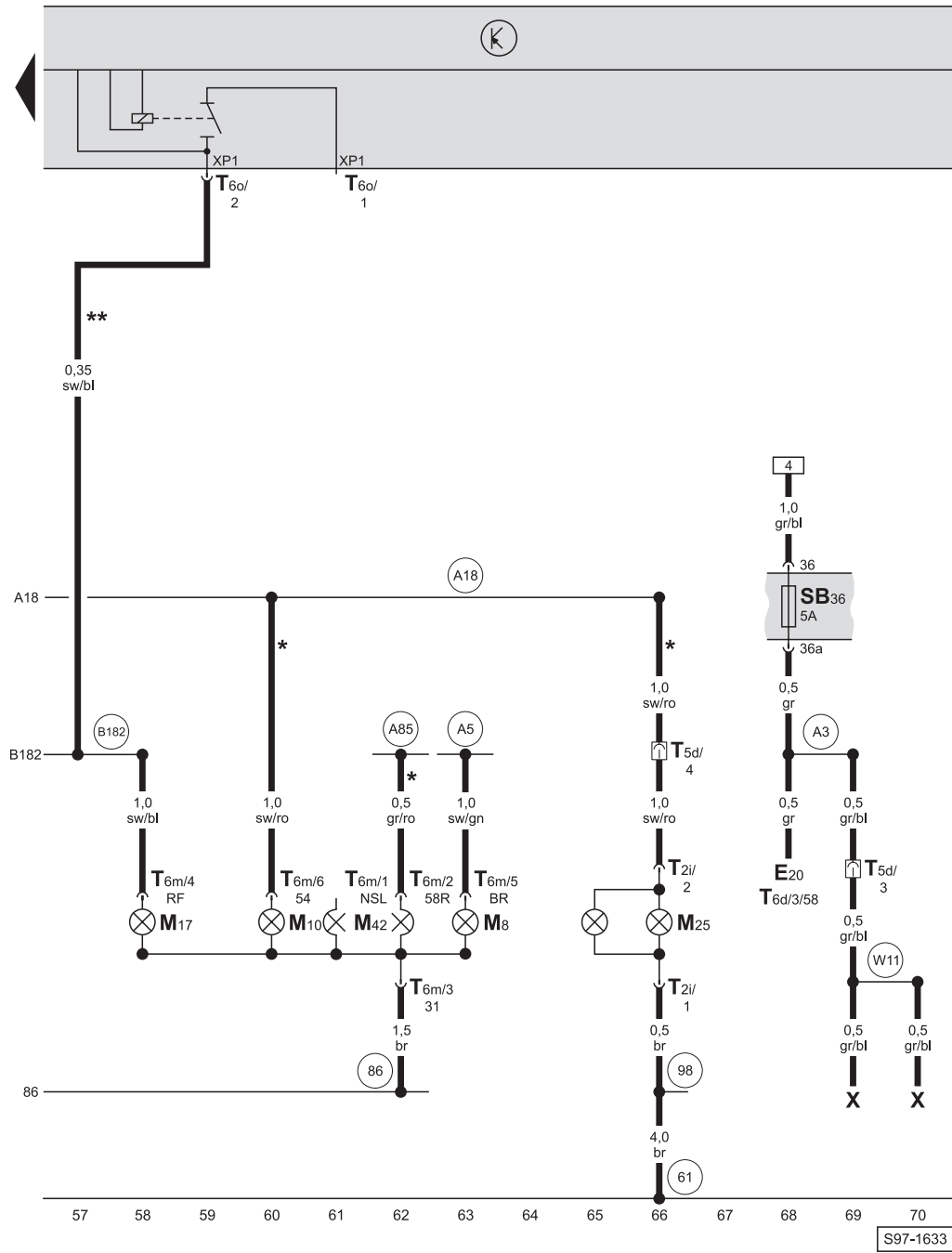
- F - Brake light switch
- F4 - Reversing light switch
- F47 - Brake pedal switch
- J... - Engine control units
- K13 - Rear fog light warning lamp
- M6 - Turn signal bulb, rear left
- M9 - Brake light bulb, left
- M16 - Reversing light bulb left
- M41 - Left tail light and rear fog light bulb
- T2h - 2-pin connector, at reversing light switch
- T4d - 4-pin connector, at brake pedal switch
- T6l - 6-pin connector, at left tail light
- T32a - 32-pin connector, at dash panel insert
- U10 - Trailer socket

61 - Earth point, C-pillar left

- 86 - Earth connection -1-, in rear interior wiring loom
- A6 - Positive connection (left turn signal light), in wiring loom behind dash panel
- A18 - Connection (54), in wiring loom behind dash panel
- A84 - Connection (58L), in wiring loom behind dash panel
- A88 - Connection (NSL), in wiring loom behind dash panel
- A100 - Connection (87a), in wiring loom behind dash panel
- B182 - Connection (RF), in interior wiring loom

- * - Does not apply to models with bulb failure indicator
- ** - Does not apply to models with automatic gearbox
- ◆ - does not apply to models with trailer coupling
- === - applies only to models with trailer coupling

Right tail light, centre high-mounted brake light, licence plate light, fuse holder



- ws = white
- sw = black
- ro = red
- br = brown
- gn = green
- bl = blue
- gr = grey
- li = purple
- ge = yellow
- or = orange

- E20 - Switches and instruments lighting control
- M8 - Turn signal bulb, rear right
- M10 - Brake light bulb, right
- M17 - Reversing light bulb right
- M25 - Centre high-mounted brake light bulb
- M42 - Right tail light and rear fog light bulb
- T2i - 2-pin connector, at centre high-mounted brake light
- T5d - 5-pin connector, at left C pillar (pink)
- T6d - 6-pin connector, at lighting control and headlight range control adjuster
- T6m - 6-pin connector, at right tail light
- T6o - 6-pin connector, at electrical system control unit (black)
- X - Number plate light
- (61) - Earth point, C-pillar left

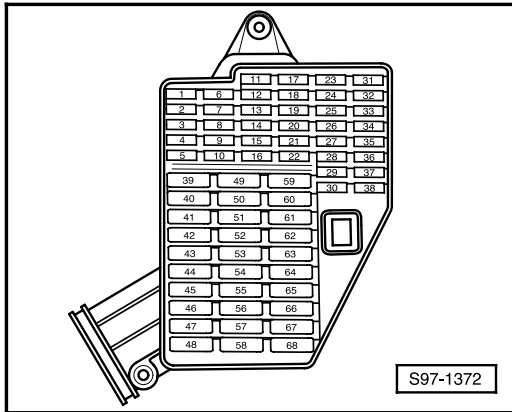
- (86) - Earth connection -1-, in rear interior wiring loom
- (98) - Earth connection, in engine compartment wiring harness
- A3 - Positive connection (58), in wiring loom behind dash panel
- A5 - Positive connection (right turn signal light), in wiring loom behind dash panel
- A18 - Connection (54), in wiring loom behind dash panel
- A85 - Connection (58R), in wiring loom behind dash panel
- B182 - Connection (RL), in interior wiring loom
- W11 - Connection (58), in tailgate wiring loom

- * - Does not apply to models with bulb failure indicator
- ** - Does not apply to models with automatic gearbox

S97-1633

Trailer coupling, from August 1999

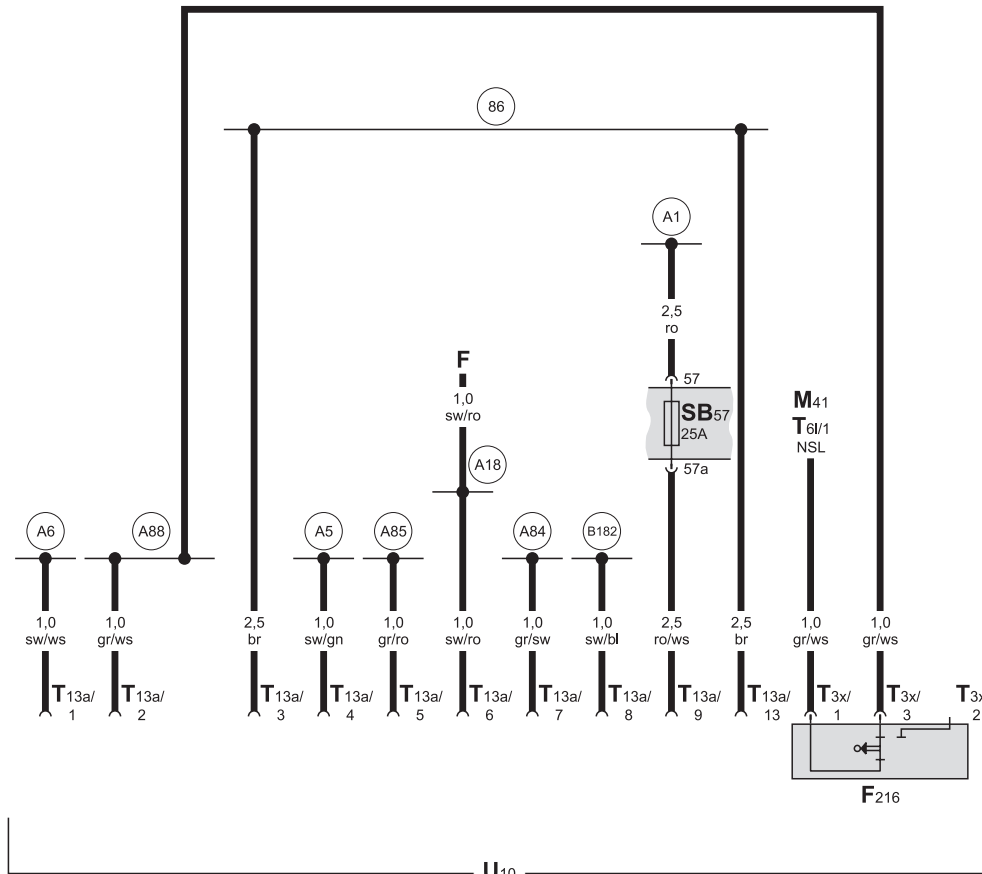
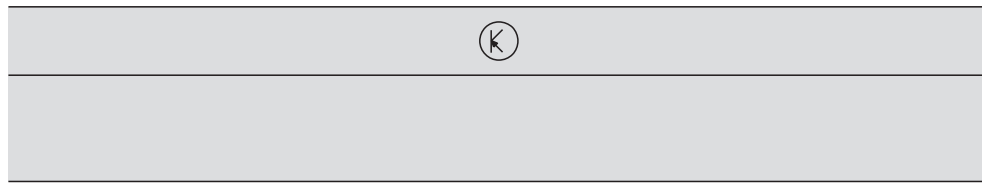
Fuse holder:



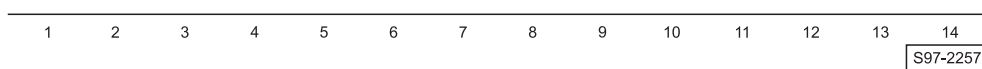
Fuse colours

- 30A - green
- 25A - white
- 20A - yellow
- 15A - blue
- 10A - red
- 7.5A - dark brown
- 5A - light brown

Trailer coupling



- ws = white
- sw = black
- ro = red
- br = brown
- gn = green
- bl = blue
- gr = grey
- li = purple
- ge = yellow
- or = orange



- F - Brake light switch
- F216 - Rear fog light cutout, contact switch, in socket for trailer coupling
- M41 - Left tail light and rear fog light bulb
- T3x - 3-pin connector, at rear fog light cutout contact switch
- T6l - 6-pin connector, at left tail light
- T13a - 13-pin socket
- U10 - Trailer socket

- 86 - Earth connection -1-, in rear interior wiring loom
- A1 - Positive connection (30a), in wiring loom behind dash panel
- A5 - Positive connection (right turn signal light), in wiring loom behind dash panel
- A6 - Positive connection (left turn signal light), in wiring loom behind dash panel
- A18 - Connection (54), in wiring loom behind dash panel
- A84 - Connection (58L), in wiring loom behind dash panel
- A85 - Connection (58R), in wiring loom behind dash panel
- A88 - Connection (RFL), in wiring loom behind dash panel
- B182 - Connection (RL), in interior wiring loom

S97-2257