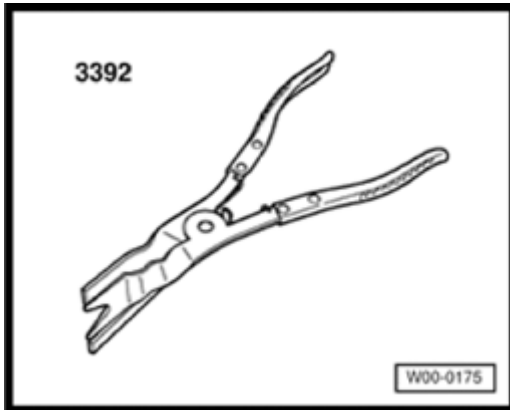


Volkswagen Golf 5 2004-> VW Rabbit GTI 2006-> (A5)

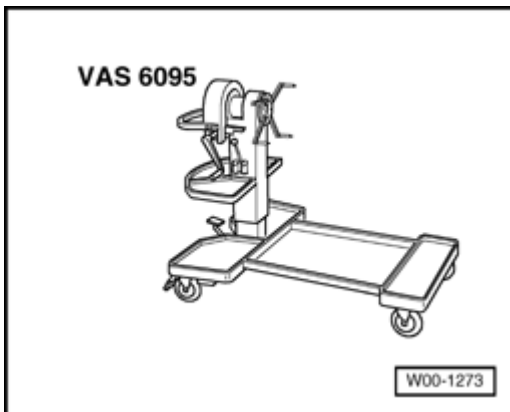
Front seat covers and padding

Tools

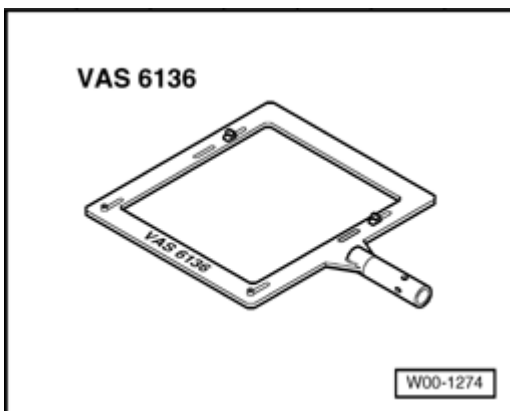
Special tools, testers and auxiliary items required



- Pliers 3392



- Engine and transmission holder VAS 6095



- Fixture for seat repair VAS 6136

Front seat cushion cover and padding, removing and installing

Note:

- *Removal and installation of the components is described for the left-hand seat. The same instructions apply for removal and installation of components for right seat.*

Warning!

If the upholstery, front seat cushion on front passengers side is replaced, Front Passengers Seat Occupied Sensor G128 also must always be replaced ⇒ [69-4, Front Passenger s Seat Occupied Sensor G128 , removing and installing](#)

Removing

- Mount the fixture for seat repair VAS 6136 on the engine and transmission holder VAS 6095 .
- Remove front seat ⇒ [72-1, Front seat, removing and installing](#)
- Attach the seat to the fixture for seat repair VAS 6136 .
- Remove front belt latch:
 - 2door ⇒ [69-1, Belt latch \(2-door\), removing and installing](#)
 - 4door ⇒ [69-1, Belt latch \(4-door\) removing and installing](#)
- Remove front right seat trim ⇒ [72-1, Right seat trim, removing and installing](#)

Vehicles with manual seat adjustment

- Remove front left seat trim ⇒ [72-1, Left seat trim, removing and installing](#)
- Remove bracket and front seat operating lever ⇒ [72-1, Front seat bracket and operating lever, removing and installing](#)

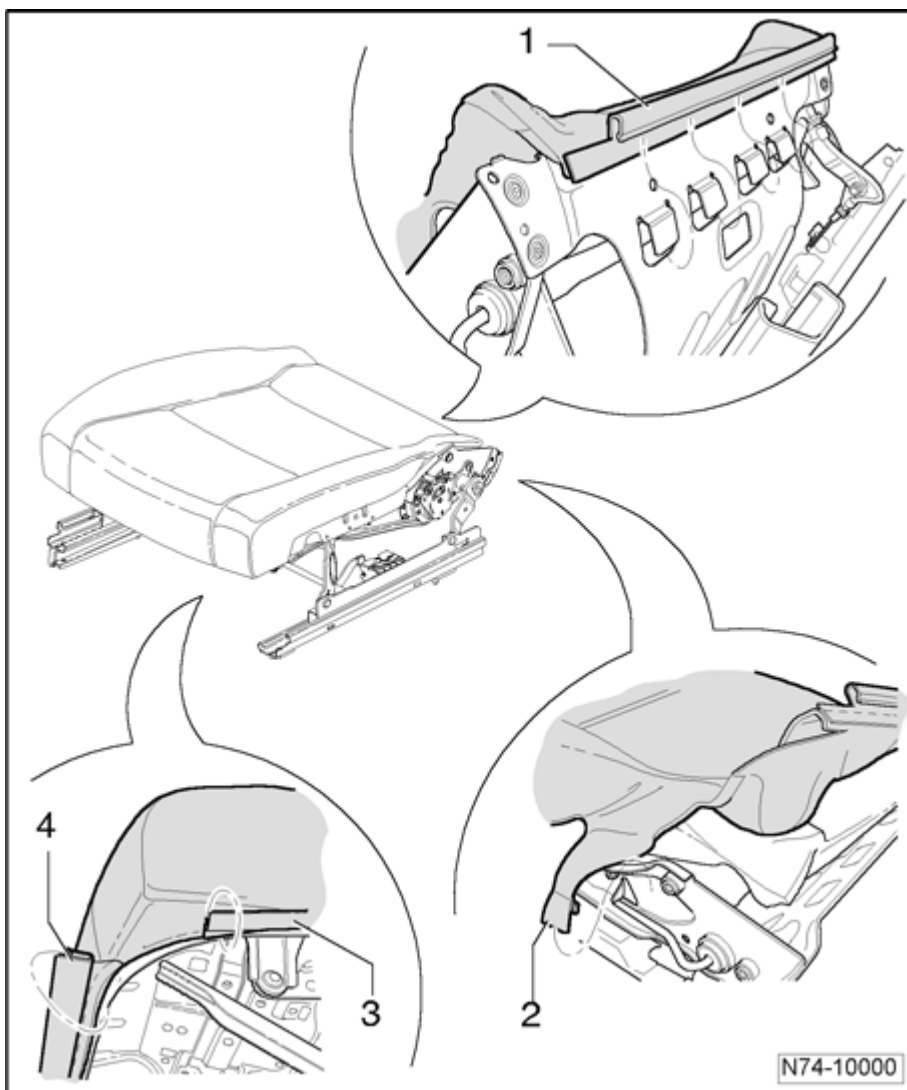
Vehicles with electric seat adjustment

- Remove left power seat trim ⇒ [72-1, Left power seat trim, removing and installing](#)

- Remove retainer and power seat bracket ⇒ [72-1, Retainer and power seat bracket, removing and installing](#)

All vehicles

- Remove front seat drawer mount ⇒ [72-1, Seat drawer mount, removing and installing](#)
- Remove front seat backrest ⇒ [72-1, Front seat backrest, removing and installing](#)
- Remove profile - **1** - from receptacle.
- Disengage retaining straps - **2** - from seat on both sides.
- Disengage profiles - **3** - from mounts on both sides of seat.
- Disengage profile - **4** - from mount on front side of seat.

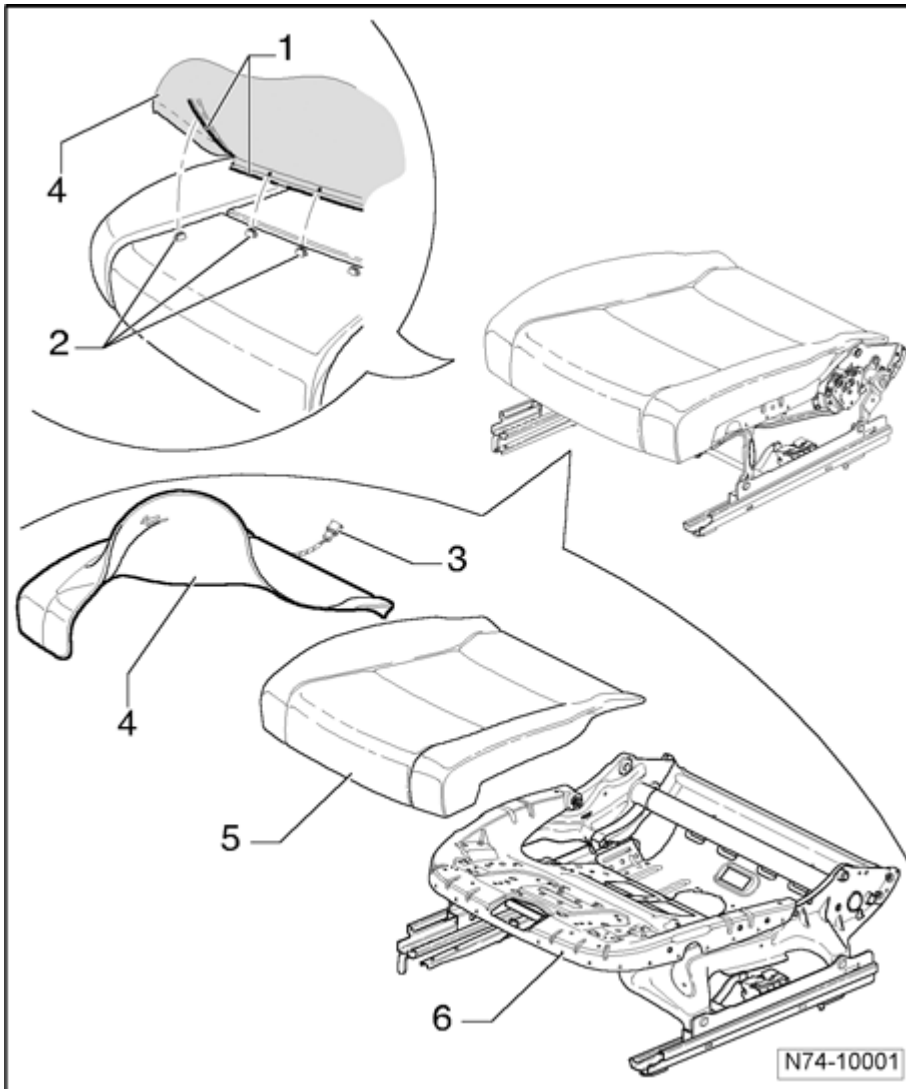


- Roll cover upward on outer sides

around circumference.

- Using a small screwdriver, unclip profiles - **1** - for cover out of mounts - **2** - in upholstery.

- In vehicles with seat heater, disconnect wiring harness - **3** - from seat frame.



- Remove the cover - **4** - and padding - **5** - from the seat frame - **6** - .

Installing

- Installation is performed in the reverse order of removal.

Front bucket seat cushion cover and padding, removing and installing

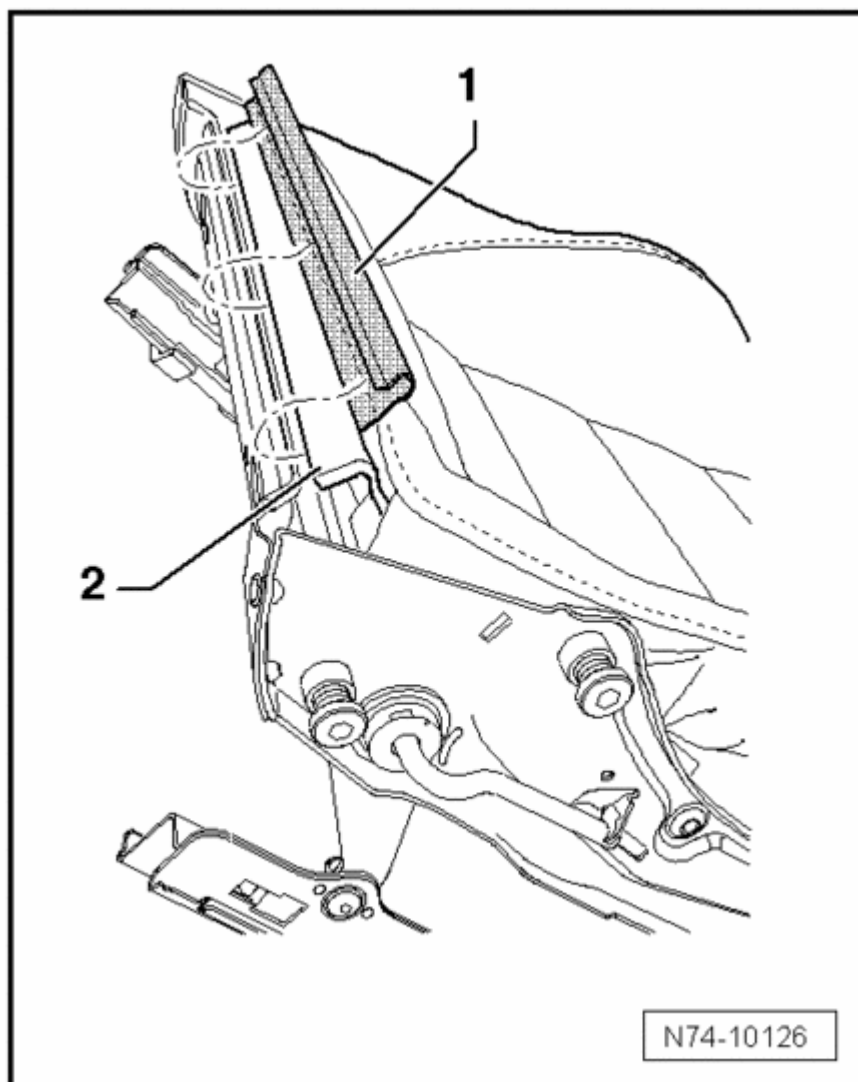
Note:

- *Removal and installation of the components is described for the left-hand seat. The same instructions apply for removal and installation of components for right seat.*

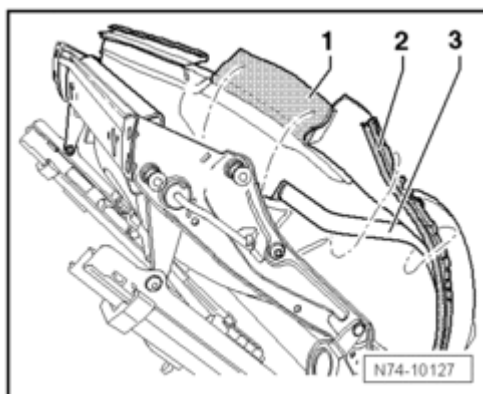
Removing

- Mount the fixture for seat repair VAS 6136 on the engine and transmission holder VAS 6095 .
- Remove front seat ⇒ [72-1, Front seat, removing and installing](#)
- Attach the seat to the fixture for seat repair VAS 6136 .
- Remove front left bucket seat trim ⇒ [72-1, Left bucket seat trim, removing and installing](#)
- Remove front belt latch:
 - 2door ⇒ [69-1, Belt latch \(2-door\), removing and installing](#)
 - 4door ⇒ [69-1, Belt latch \(4-door\) removing and installing](#)
- Remove front right bucket seat trim ⇒ [72-1, Right bucket seat trim, removing and installing](#)
- Remove front bucket seat backrest ⇒ [72-1, Front bucket seat backrest, removing and installing](#)

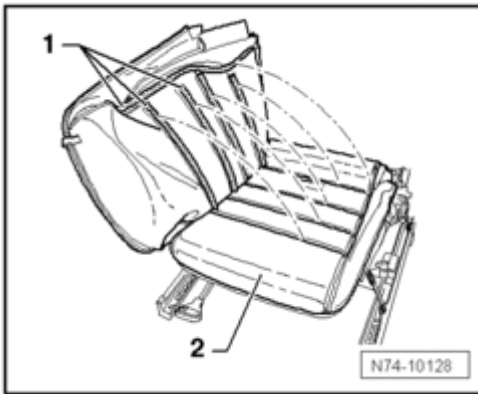
Volkswagen Technical Site: <http://volkswagen.msk.ru> <http://vwts.info> <http://vwts.ru>
 огромный архив документации по автомобилям Volkswagen, Skoda, Seat, Audi



- Loosen profile - **1** - from mount - **2** - in rear area of seat base .



- Loosen Velcro strip on both sides - **1** - .
 - Loosen surrounding profile - **2** - on seat pan - **3** - .



- Loosen all Velcro strips - **1** - on cover from depression in upholstery - **2** - .
- Remove upholstery from bucket seat.

Installing

- Installation is performed in the reverse order of removal.

Front seat backrest cover and padding, removing and installing

Note:

- *Removal and installation of the components is described for the left-hand seat. The same instructions apply for removal and installation of components for right seat.*

Removing

- Mount the fixture for seat repair VAS 6136 on the engine and transmission holder VAS 6095 .
- Remove front seat ⇒ [72-1, Front seat, removing and installing](#)
- Attach the seat to the fixture for seat repair VAS 6136 .
- Remove front right seat trim ⇒ [72-1, Right seat trim, removing and installing](#)

Vehicles with manual seat adjustment

- Remove front left seat trim ⇒ [72-1, Left seat trim, removing and installing](#)

Vehicles with electric seat adjustment

- Remove left power seat trim ⇒ [72-1, Left power seat trim, removing and installing](#)

All vehicles

- Remove front seat backrest ⇒ [72-1, Front seat backrest, removing and installing](#)
- Attach the backrest to the fixture for seat repair VAS 6136 .
- Press corresponding button in headrest guide and pull headrest - **1** - out of backrest.

2-door only

- Remove operating knob - **2** - .
- Position a screwdriver in - **direction of arrow** - and pry trim - **3** - out of mount.

Note :

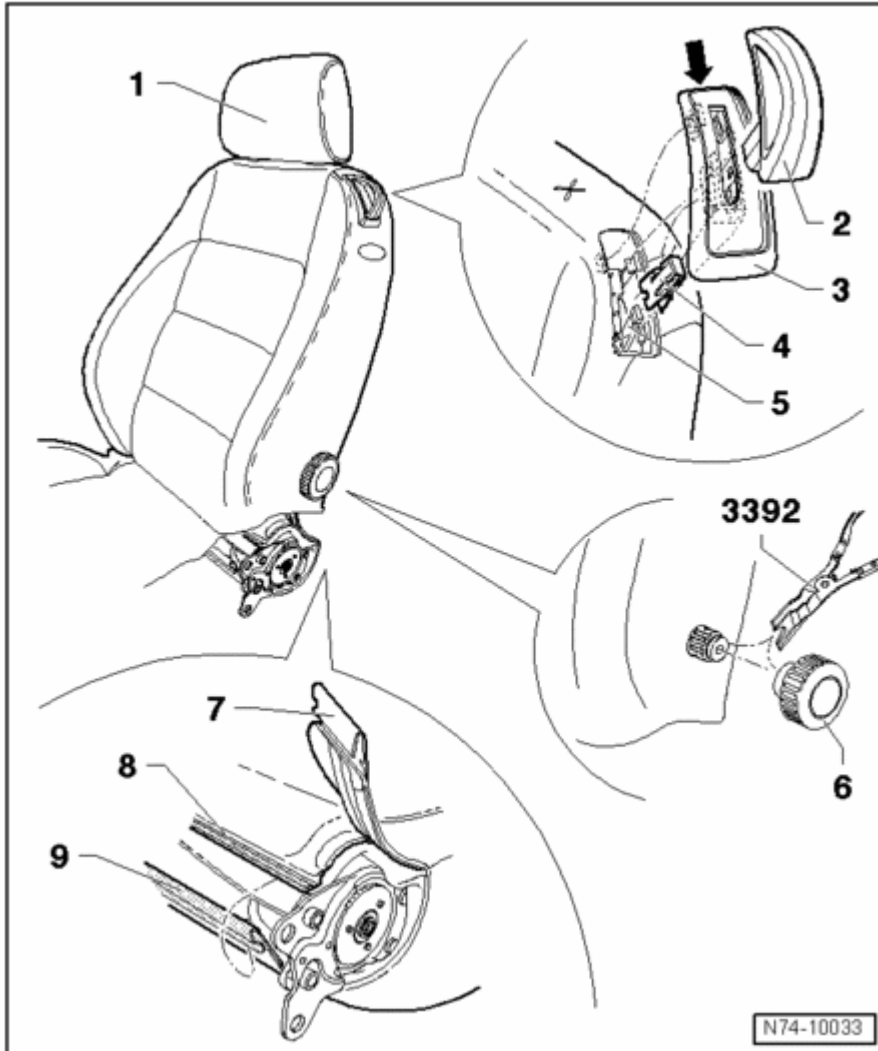
- *When installing, securing spring - **4** - must be removed from lever - **5** - and replaced.*

Only vehicles with manual lumbar adjustment

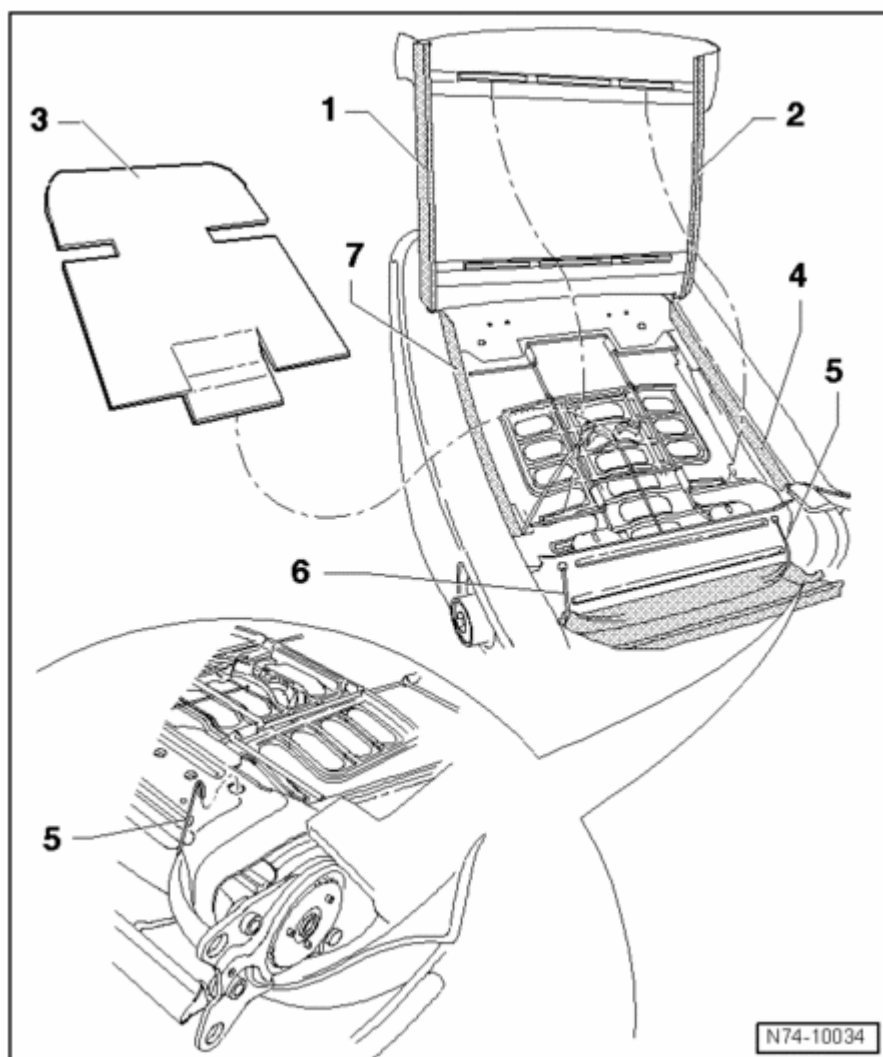
- Remove lumbar support adjusting wheel - **6** - using disassembly pliers 3392 .

All vehicles

- Disengage backrest profile - **7** - on both sides.



- Release profile - **8** - from mount - **9** -
- Loosen side profile - **1** - and - **2** - from mounts and fold back side of cover upward.
- Remove plate - **3** - from backrest.
- Open side profile - **4** - and disengage tension wire - **5** - .



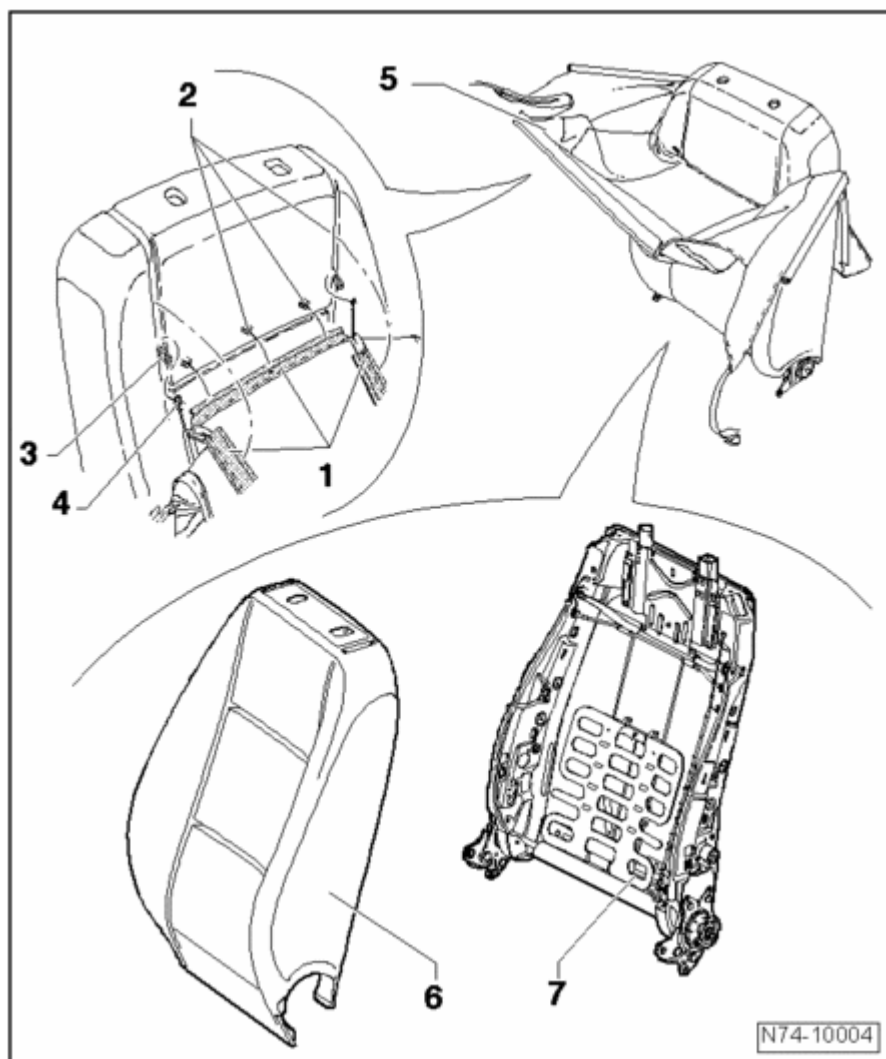
- Open side profile - **7** - and disengage tension wire - **6** - .

- Fold cover - **5** - upward.

- Using a small screwdriver, unclip profiles - **1** - for cover out of mounts - **2** - in upholstery.

- Disengage tension wire - **4** - on both sides from upholstery wire - **3** - .

- Remove headrest guides ⇒ [72-1, Headrest guides, removing](#)



- Remove the cover - 5 - and padding - 6 - from the seat frame - 7 - .

Installing

- Installation is performed in the reverse order of removal.

Front bucket seat backrest, removing and installing

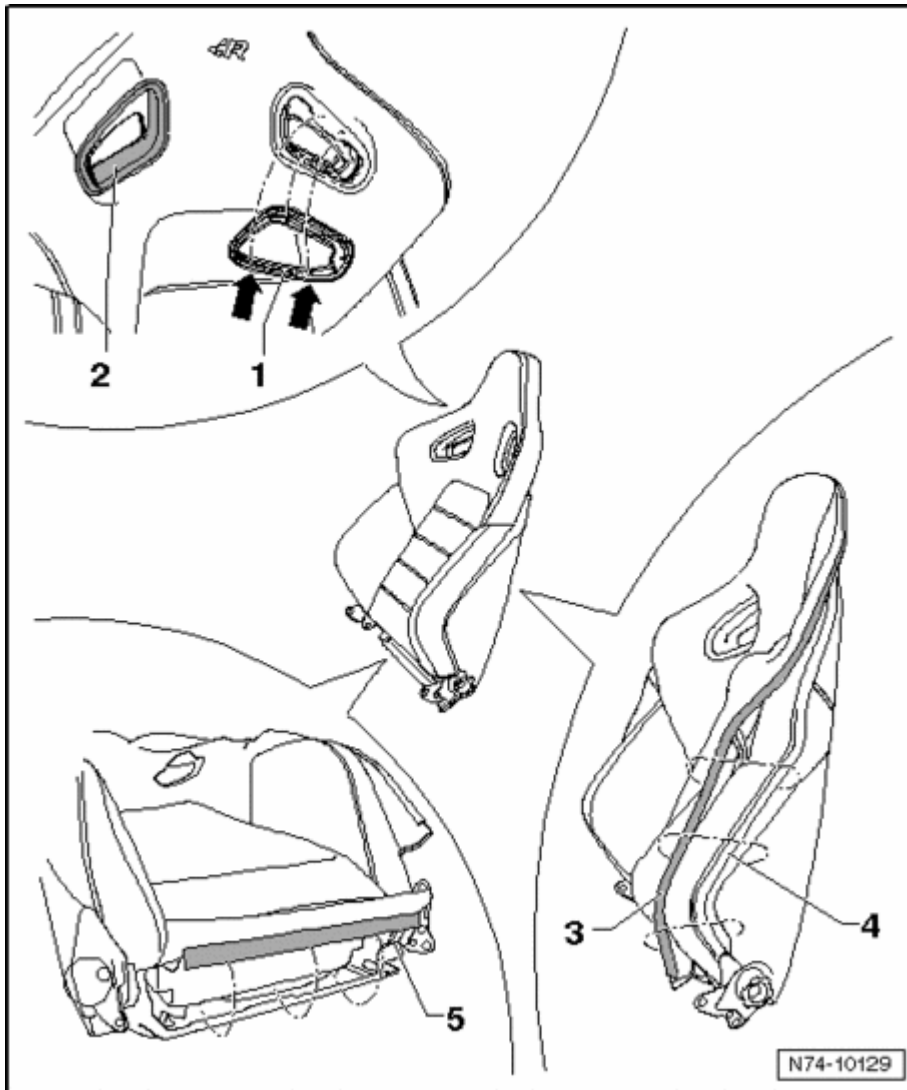
Note:

- *Removal and installation of the components is described for the left-hand seat. The same instructions apply for removal and installation of components for right seat.*

Removing

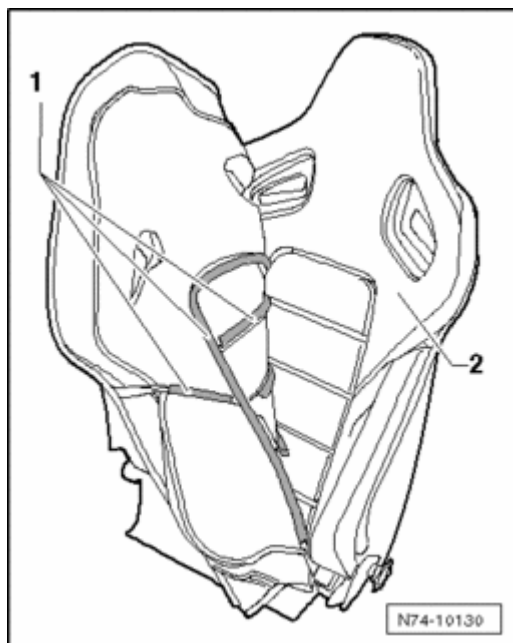
- Mount the fixture for seat repair VAS 6136 on the engine and transmission holder VAS 6095 .

- Remove front seat ⇒ [72-1, Front seat, removing and installing](#)
- Attach the seat to the fixture for seat repair VAS 6136 .
- Remove front left bucket seat trim ⇒ [72-1, Left bucket seat trim, removing and installing](#)
- Remove front belt latch:
 - 2door ⇒ [69-1, Belt latch \(2-door\), removing and installing](#)
 - 4door ⇒ [69-1, Belt latch \(4-door\) removing and installing](#)
- Remove front right bucket seat trim ⇒ [72-1, Right bucket seat trim, removing and installing](#)
- Remove front bucket seat backrest ⇒ [72-1, Front bucket seat backrest, removing and installing](#)
- Press left trim - **1** - on upper edge downward.
- Then remove trim from mounts in area of the two catches - **arrows** - .
- Remove right trim - **2** - in the same way.
- Remove surrounding cover profile - **3** - in side area of backrest from mount - **4** - .



- In lower area of backrest, remove profile - **5** - from mount.

- Loosen all Velcro strips - **1** - on cover from depression in upholstery - **2** - .



- Remove upholstery from backrest frame.

Installing

- Installation is performed in the reverse order of removal.



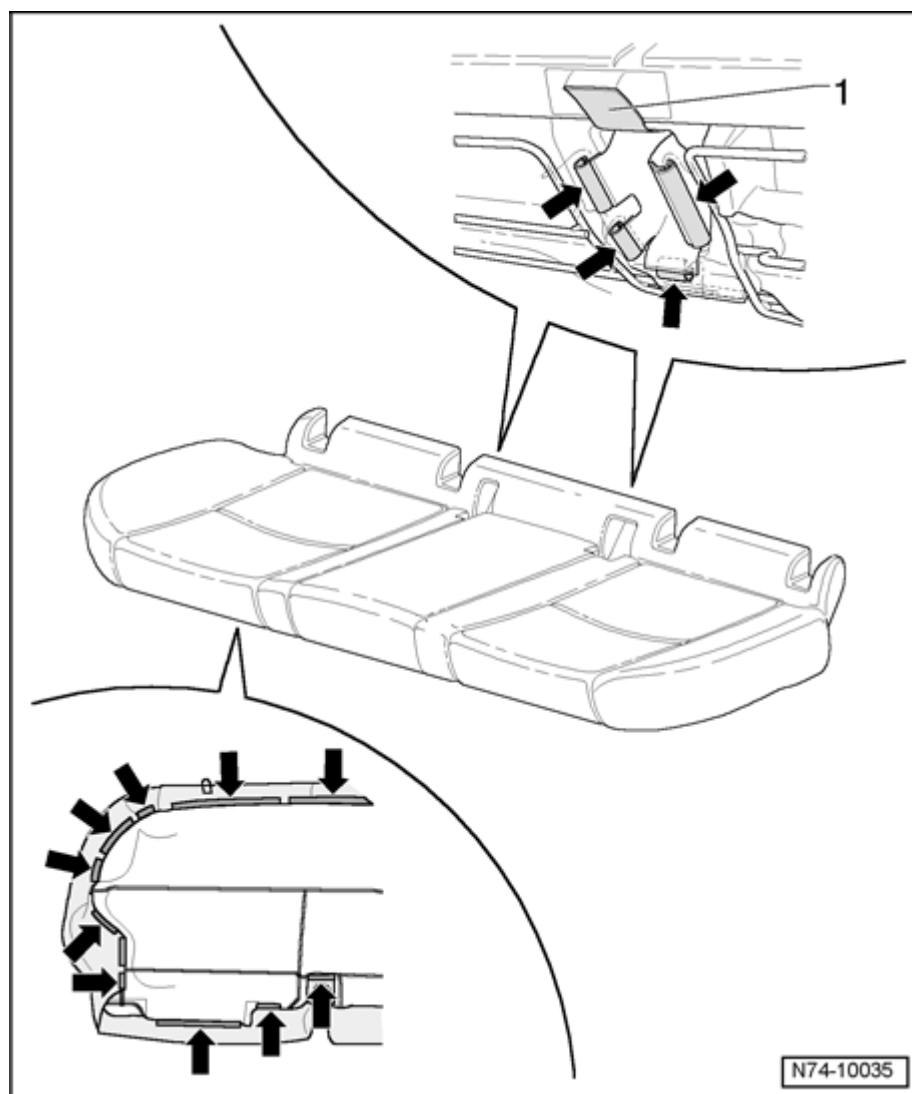
Cover and upholstery for rear seats

Seat bench cover and upholstery, removing and installing

Removing

- Remove seat bench ⇒ [72-2, Rear seat bench, removing and installing](#) .

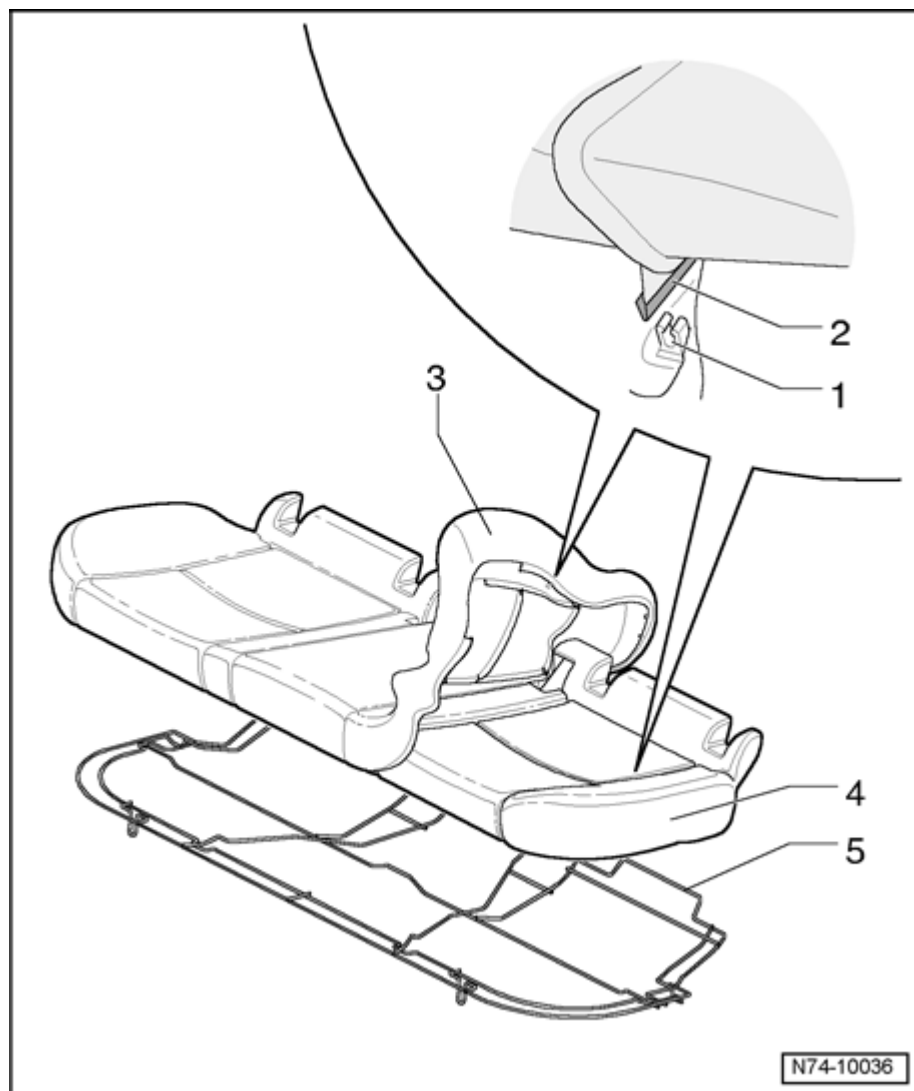
- On the underside of the seat bench, detach all cover profiles - **arrows** - seat frame.



- Release respective Velcro strap - **1** - in area of belt latches.

- Roll up cover on the sides.

- Using a small screwdriver, press apart side ribs of mounts - 1 - and pull out grip channels - 2 - .



- Release cover - 3 - and upholstery - 4
- from seat frame - 5 - .

Installing

- Installation is performed in the reverse order of removal.

Cover and cushion for backrest, removing and installing

Note:

- Removal and installation of components is described for right backrest. The same instructions apply for removal and installation of components for left backrest.

Removing

Only vehicles with pass-through

- Remove storage unit with center armrest ⇒ [74-2, Storage unit with center arm rest, removing and installing](#)

All vehicles

- Remove seat bench ⇒ [72-2, Rear seat bench, removing and installing](#) .
- Remove backrest ⇒ [72-2, Backrest, removing and installing](#)

Headrest removal

- To remove headrest - **1** - , depress tab on headrest mount.
- Locate small hole on opposite headrest mount and insert a small screwdriver to release headrest from guide.
- Remove headrest - **1** - completely.

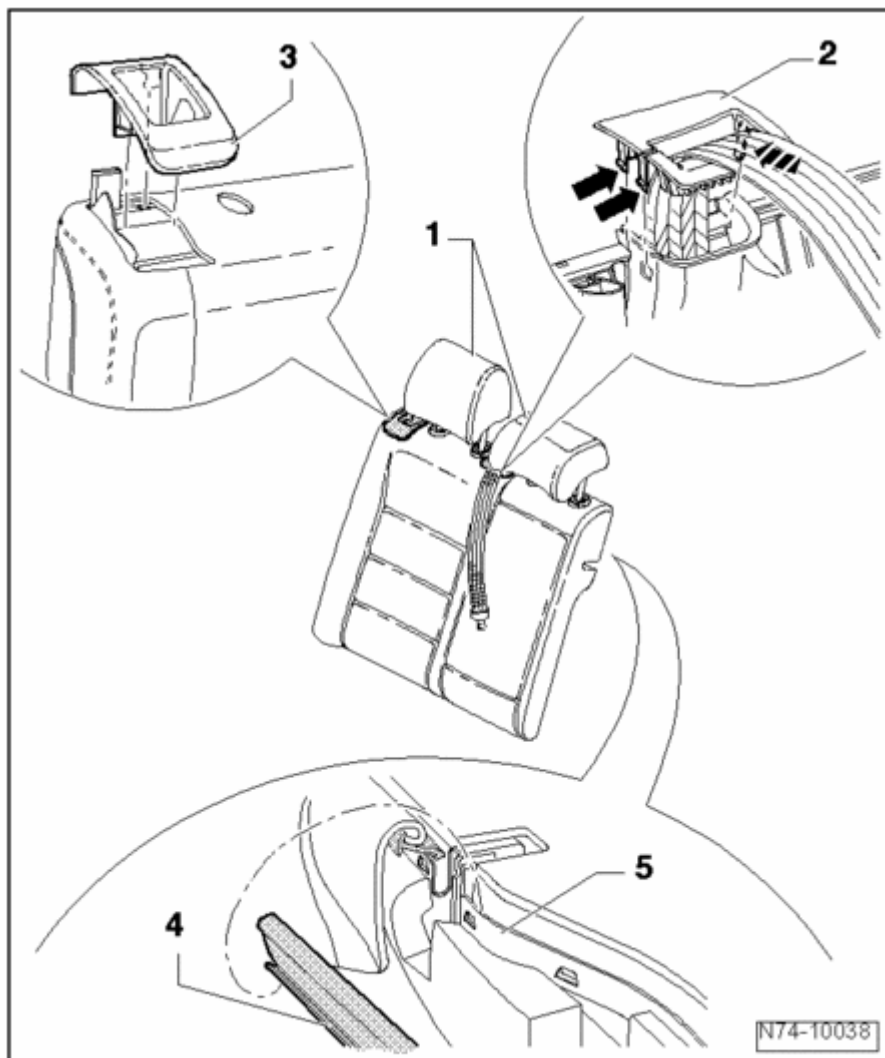
Continued removal of cover and cushion for backrest

- Press corresponding button in headrest guide and pull headrest - **1** - out of backrest.
- Press side locking mechanisms - **arrows** - and release belt extraction panel - **2** - from mounts.

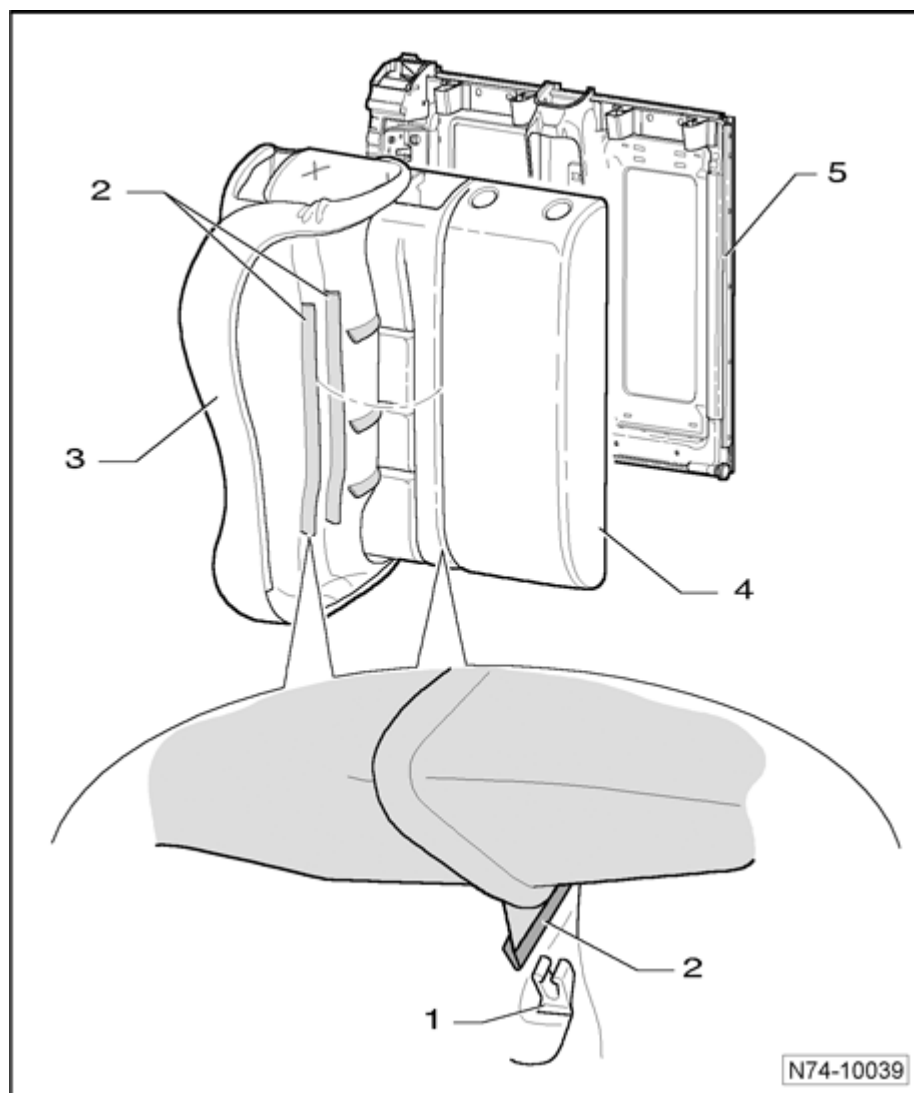
Note :

- *Belt extraction panel - **2** - has a one-time locking mechanism and therefore must be replaced when installing.*

- Press side locking mechanisms inward and pull cover - **3** - out of backrest.



- Using a screwdriver, pry all profiles - **4**
- out of mounts - **5** - on rear side of backrest along the circumference.
- Roll up cover on the sides.
- Using a small screwdriver, press apart side ribs of mounts - **1** - and pull out grip channels - **2** - .



- Release cover - **3** - and upholstery - **4**
- from backrest frame - **5** - .

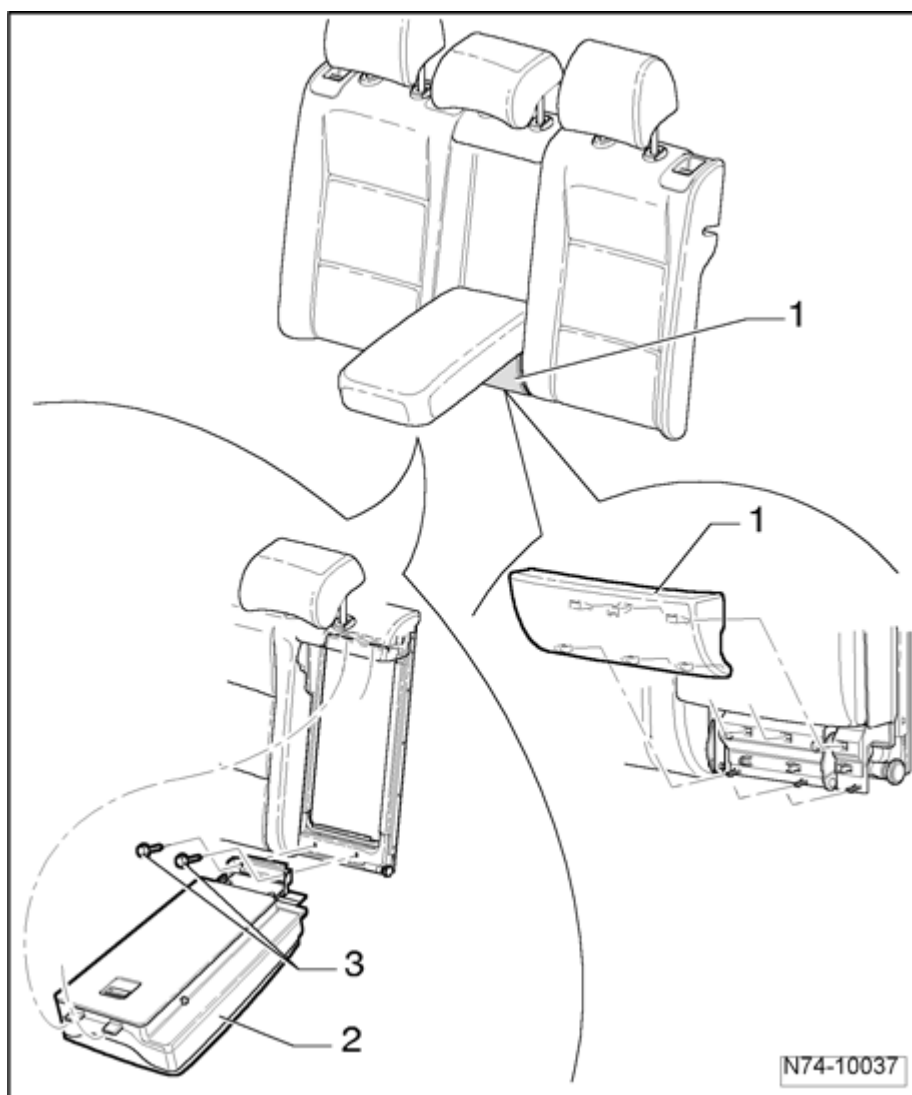
Installing

- Installation is performed in the reverse order of removal.

Storage unit with center arm rest, removing and installing

Removing

- Remove upholstery insert - **1** - beneath center armrest.



- Open storage unit - **2** - and remove two bolts - **3** - (9 Nm).

Installing

- Installation is performed in the reverse order of removal.