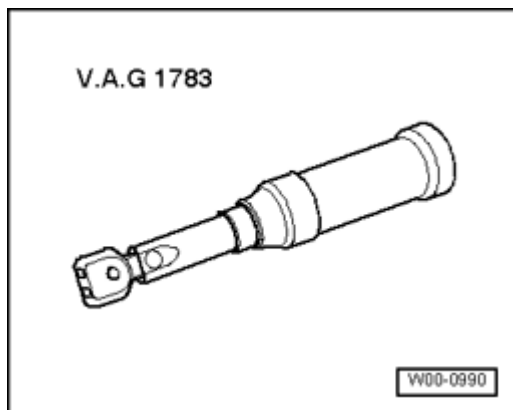


Volkswagen Jetta 2005-> (A5)

Wheelhousing liner

Tools

Special tools, testers and auxiliary items required

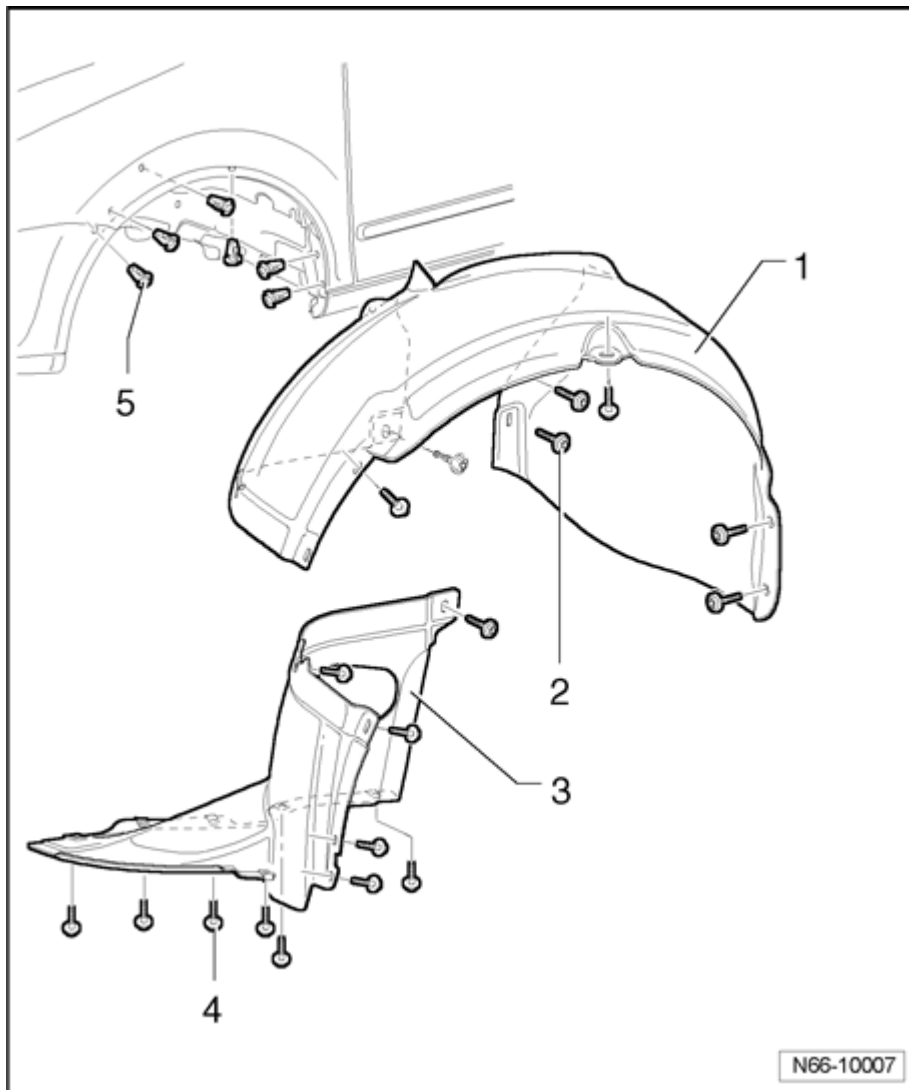


- Torque wrench (560Nm) V.A.G 1783

Front wheel housing liner - assembly overview

Note :

- *The description applies to the left side. The right side is derived accordingly from this.*
- *Slight changes may have to be made to removal and installation procedures, depending upon equipment installed in vehicle.*
- *Front wheelhousing liner consists of front and rear parts.*



- **Wheelhousing liner, rear piece**

- Material: PP/EPDM

- **Bolt**

- Qty. 7
- 2 Nm

- **Wheelhousing liner, front piece**

- Material: PP/EPDM

- **Bolt**

- Qty. 11
- 2 Nm

- **Expanding nut**

Front wheelhousing liner, removing and installing

Note:

- *Removing and installing is described only for the left wheelhousing liner. Removing and installing right wheelhousing liner is derived accordingly from this.*

Removing

Wheelhousing liner, rear piece

- Unbolt wheel

⇒ [Repair Manual, Suspension, Wheels, Steering, Repair Group 44, Torque specification for mounting wheels](#)

.

- Remove bolts - **4** - (qty. 3) from joint of rear part of wheelhousing liner and front part of wheelhousing liner.

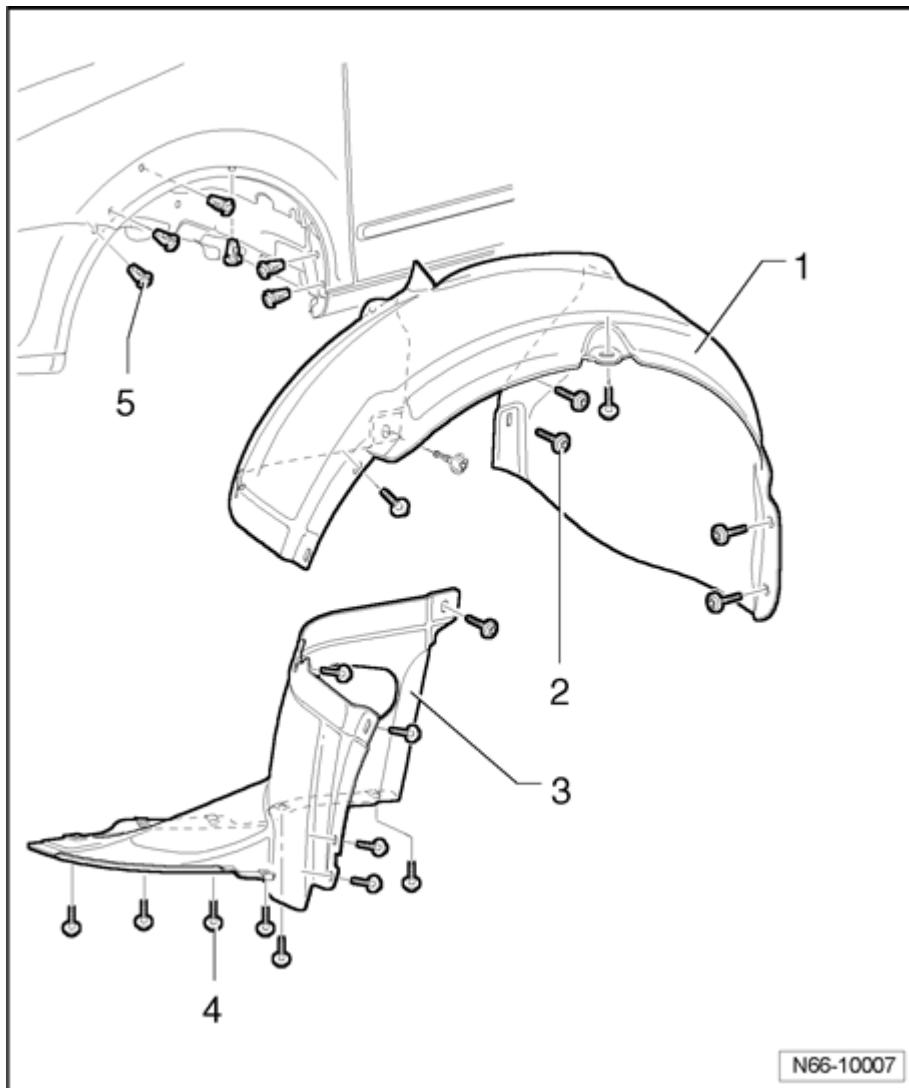
- Remove bolts - **2** - (qty. 7).

- Remove rear part of wheelhousing liner

- **1** - .

Wheelhousing liner, front piece

- Remove bolts - **4** - (qty. 11).



- Remove front part of wheelhousing liner
- 3 - .

Installing

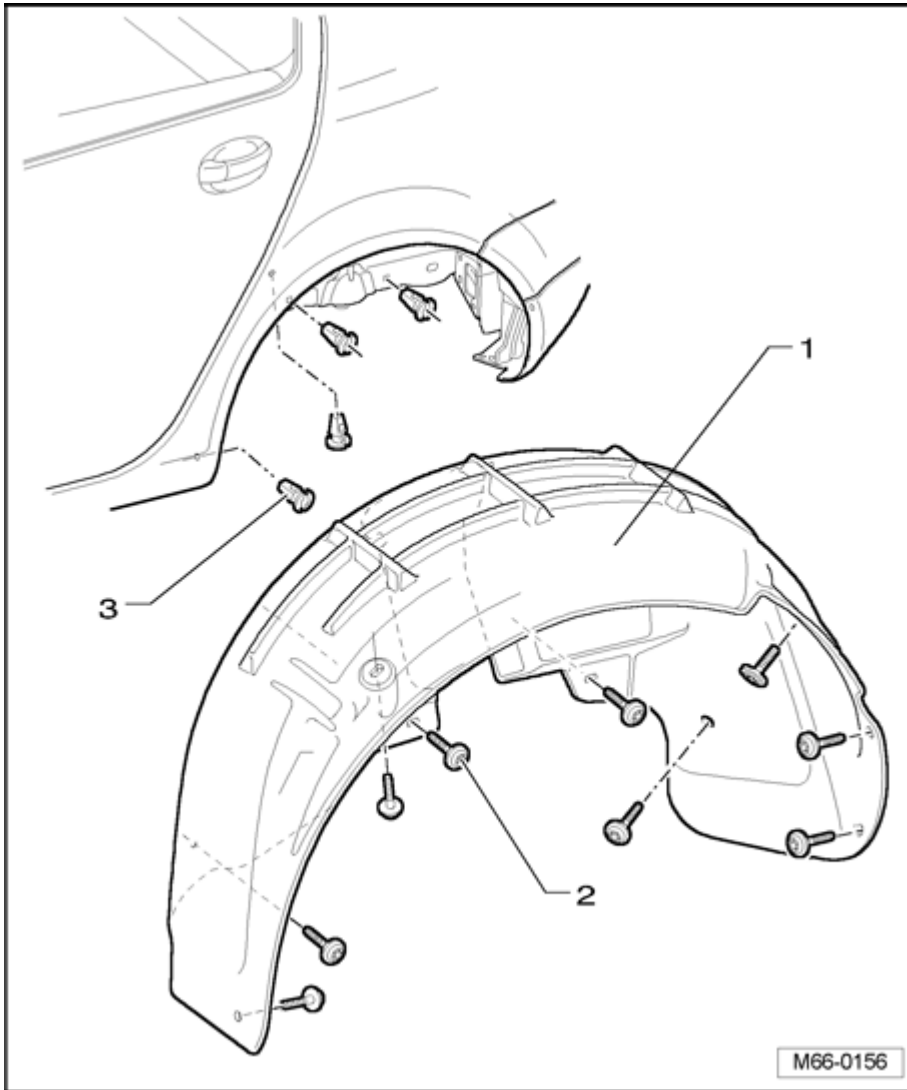
Installation is performed in the reverse order of removal.

Rear wheel housing liner - assembly overview

Note :

- *The description applies to the left side. The right side is derived accordingly from this.*

Wheelhousing liner



- **Wheelhousing liner**

- Material: PP/EPDM

- **Bolt**

- Qty. 9
- 2 Nm

- **Expanding nut**

Rear wheelhousing liner, removing and installing

Note:

- *Removing and installing is described only for the left wheelhousing liner. Removing and installing right wheelhousing liner is derived accordingly from this.*

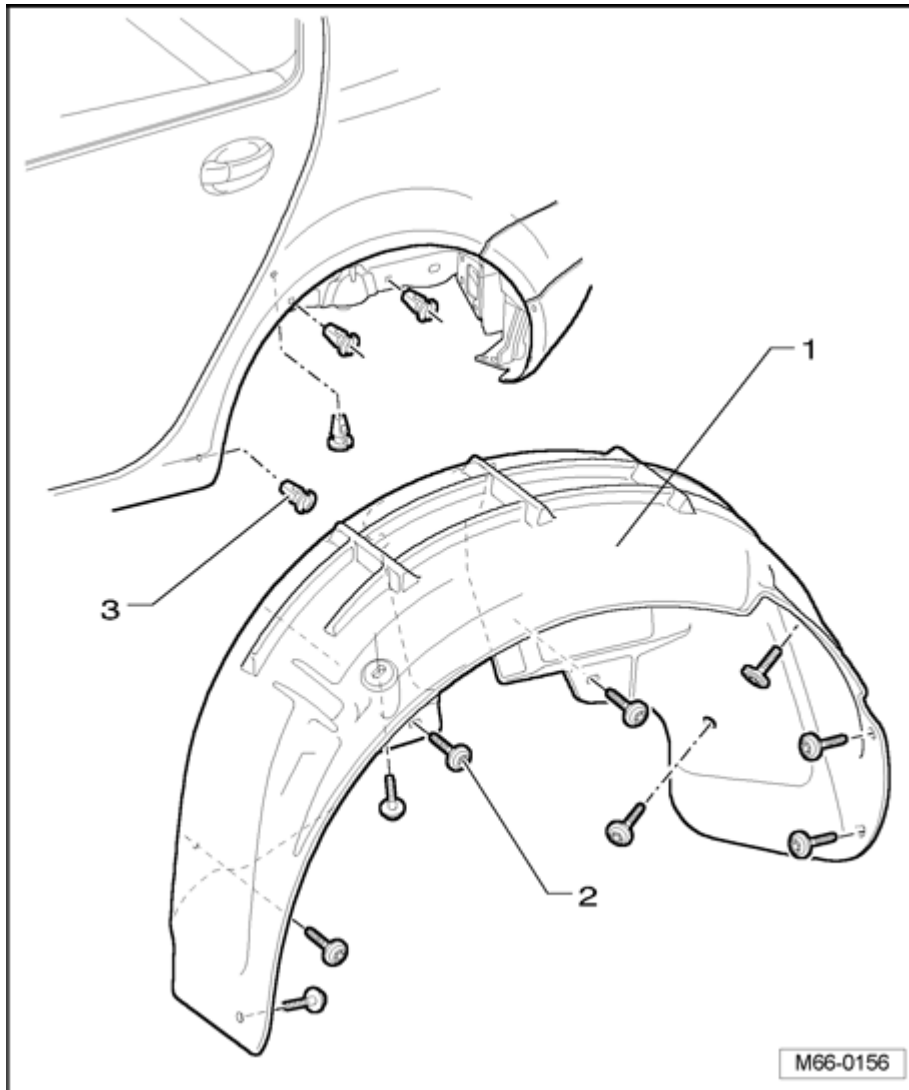
Removing

- Unbolt wheel

Wheelhousing liner

⇒ [Repair Manual, Suspension, Wheels, Steering, Repair Group 44, Torque specification for mounting wheels](#)

- Remove bolts - 2 - (qty. 9).



- Pull off wheelhousing liner - 1 - .

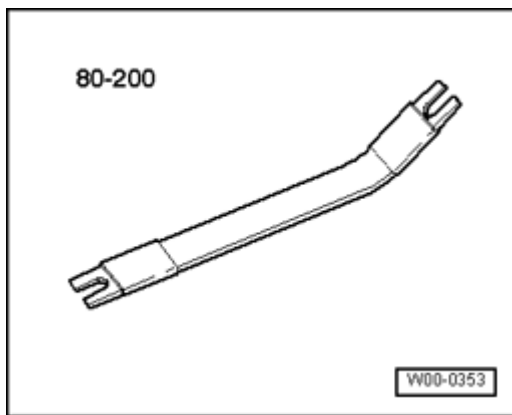
Installing

Installation is performed in the reverse order of removal.

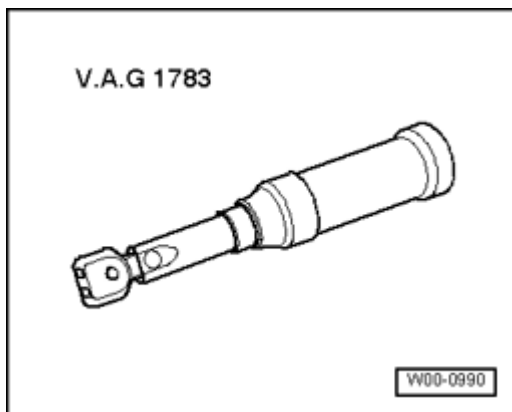
Rearview mirror

Tools

Special tools, testers and auxiliary items required



- Pry lever - rmv outside mirror 80-200

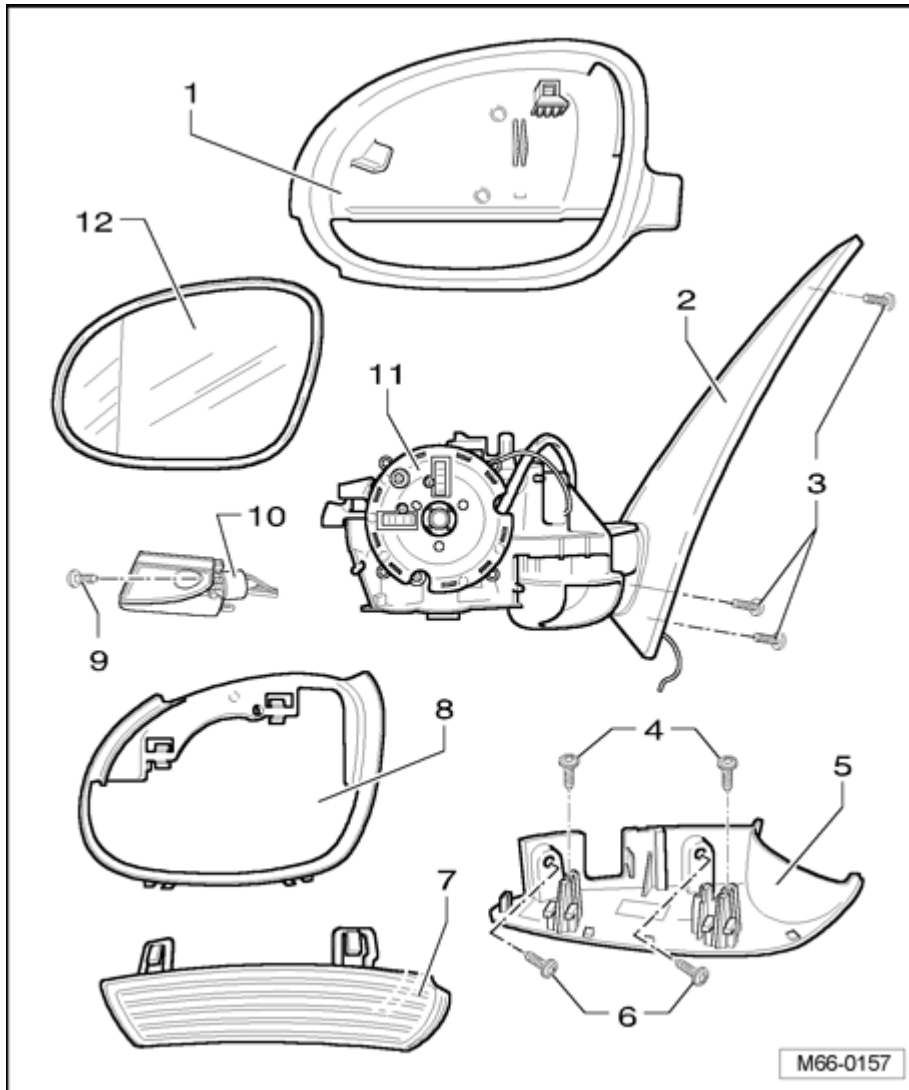


- Torque wrench (560Nm) V.A.G 1783

Rearview mirror - assembly overview

Note :

- *The description applies to the left side. The right side is derived accordingly from this.*



- **Mirror housing**

- Material: ABS
- Removing and installing ⇒ [66-2, Mirror housing, removing and installing](#)

- **Mirror carrier**

- Removing and installing ⇒ [66-2, Rearview mirror, removing and installing](#)

- **Bolt**

- Qty. 3
- 8 Nm

- **Bolt**

- Qty. 2

- 1 Nm

- **Assembly piece**

- Removing and installing ⇒ [66-2, Side turn signal light, removing and installing](#)

- **Bolt**

- Qty. 2
- 1 Nm

- **Side turn signals**

- Removing and installing ⇒ [66-2, Side turn signal light, removing and installing](#)

- **Face plate**

- Removing and installing ⇒ [66-2, Trim, removing and installing](#)

- **Bolt**

- Qty. 1
- 1 Nm

- **Ambient light**

- Removing and installing ⇒ [66-2, Ambient light, removing and installing](#)

- **Adjusting unit with motor for rearview mirror**

- Removing and installing ⇒ [66-2, Adjusting unit with motor for rearview mirror, removing and installing](#)

- **Mirror glass**

- Removing and installing ⇒ [66-2, Mirror glass, removing and installing](#)

Mirror glass, removing and installing

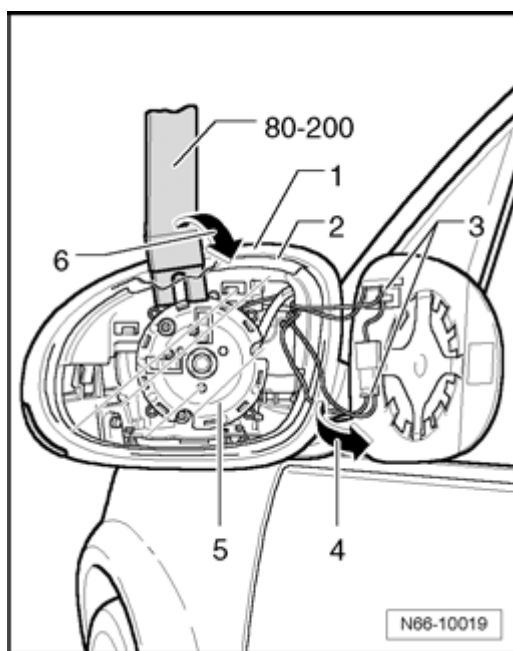
Note:

- *Removing and installing is performed only for the left mirror glass. Removing and installing right mirror glass is derived accordingly from this.*

Removing

Warning!

Wear protective goggles and protective gloves when working!



- Protect housing edge - **1** - from paint damage e.g. cover using fabric-reinforced adhesive tape.

- Press mirror glass - **2** - at bottom into mirror housing - **1** - .

- Press mirror glass - **2** - using pry lever - rmv outside mirror 80-200 from adjusting unit with motor - **5** - - **arrow 6** - .

- Swing mirror glass - **2** - to the side - **arrow 4** - and disconnect the installed connector terminals - **3** - for electric dimming function and mirror heater from rear side of mirror glass - **2** - .

Installing

- Insert connector terminals to mirror glass.

- Press mirror glass at center onto adjusting unit with motor in housing.

Rearview mirror

- Mirror glass engages audibly.

Then perform a function test.

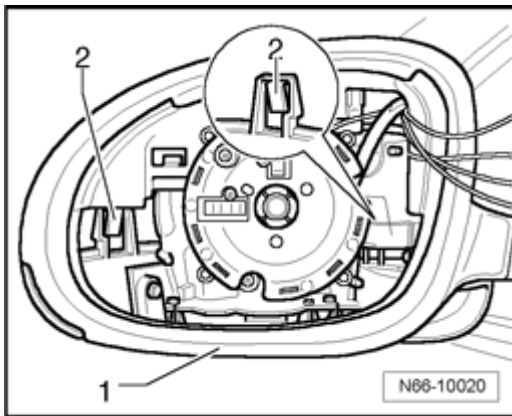
Mirror housing, removing and installing

Note:

- *Removing and installing is performed only for the left mirror housing. Removing and installing right mirror housing is derived accordingly from this.*

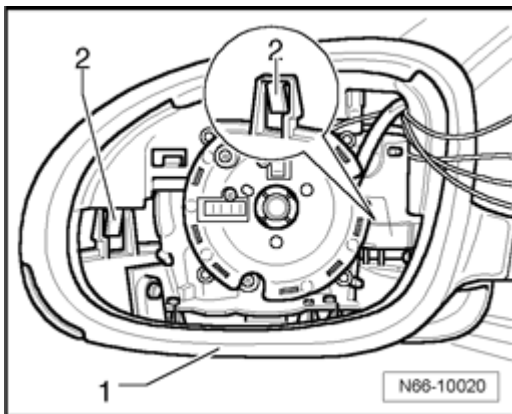
Removing

- Remove mirror glass ⇒ [66-2, Removing](#) .
- To facilitate installation, fold rearview mirror forward.



- Press mirror housing using a screwdriver beneath catches - **2** - out of locking mechanisms.
- Pull mirror housing in front area slightly off mirror carrier.
- Then, remove mirror housing - **1** - upward from mirror carrier.

Installing



- Place mirror housing - **1** - onto mirror carrier and press mirror housing downward until catches - **2** - engage audibly.

- Re-install mirror glass ⇒ [66-2, Installing](#) .

Then perform a function test.

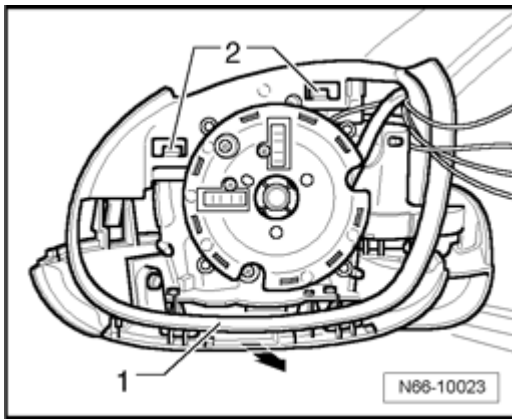
Trim, removing and installing

Note:

- *Removing and installing is described only for the left trim. Removing and installing right trim is derived accordingly from this.*

Removing

- Remove mirror glass ⇒ [66-2, Removing](#) .
- Remove mirror housing ⇒ [66-2, Mirror housing, removing and installing](#) .



- Release retaining tabs - **2** - from mirror carrier using a screwdriver.
- Remove trim - **1** - in - **direction of arrow** - .

Installing

Installation is performed in the reverse order of removal.

Then perform a function test.

Side turn signal light, removing and installing

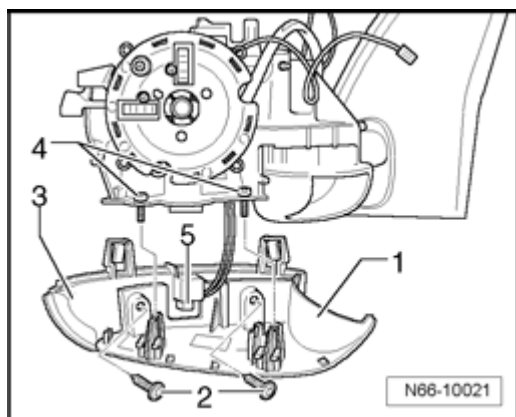
Note:

- *Removing and installing is described only for the left side turn signals. Removing and installing right side turn signals is derived accordingly from this.*
- *No standard lamps are installed in mirror turn signals, rather long-lasting light-emitting diodes (LEDs).*
- *Therefore, it is not necessary to change light bulbs.*

If damaged, the entire turn signal must be replaced.

Removing

- Remove mirror glass ⇒ [66-2, Mirror glass, removing and installing](#) .
- Remove mirror housing ⇒ [66-2, Mirror housing, removing and installing](#) .
- Remove trim ⇒ [66-2, Trim, removing and installing](#) .



- Remove screws - 4 - and remove assembly piece - 1 - downward.
- Disconnect harness connector - 5 - from turn signal - 3 - .
- Remove screws - 2 - and remove turn signal - 3 - from assembly piece - 1 - .

Installing

Installation is performed in the reverse order of removal.

Then perform a function test.

Ambient light, removing and installing

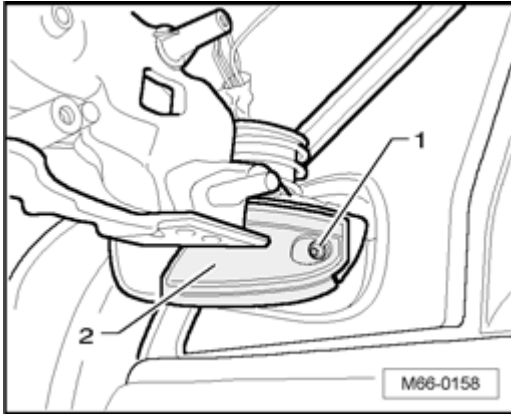
Note:

- *Removing and installing is described only for the left ambient light. Removing and installing right ambient light is derived accordingly from this.*

Removing

- Remove mirror glass ⇒ [66-2, Mirror glass, removing and installing](#) .
- Remove mirror housing ⇒ [66-2, Mirror housing, removing and installing](#) .
- Remove trim ⇒ [66-2, Trim, removing and installing](#) .

- Remove assembly piece with side turn signal ⇒ [66-2, Side turn signal light, removing and installing](#) .



- Remove bolt - 1 - .
- Swing ambient light - 2 - downward and out and remove light bulb from ambient light housing.

Installing

Installation is performed in the reverse order of removal.

Tightening torque of bolt for ambient light: 1 Nm

Then perform a function test.

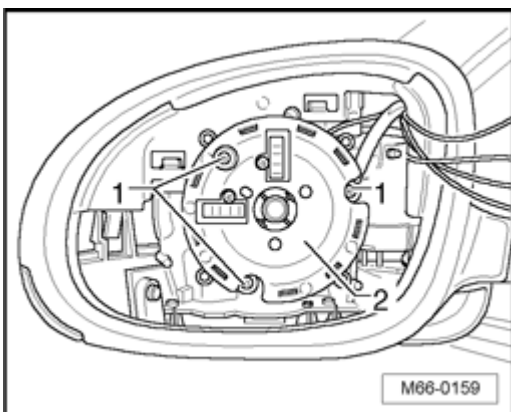
Adjusting unit with motor for rearview mirror, removing and installing

Note:

- *Removing and installing is described only for the left adjusting unit with motor. Removing and installing right adjusting unit with motor is derived accordingly from this.*

Removing

- Remove mirror glass ⇒ [66-2, Mirror glass, removing and installing](#) .



- Remove bolts - 1 - .

Rearview mirror

- Remove adjusting unit with motor - **2** - and disconnect harness connector.

Installing

Installation is performed in the reverse order of removal.

Tightening torque of bolts for adjusting unit with motor: 1 Nm

Then perform a function test.

Rearview mirror, removing and installing

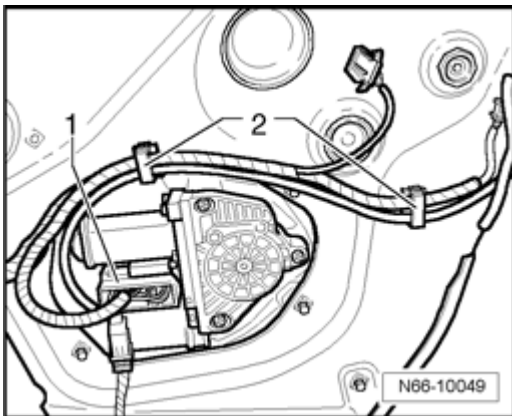
Note:

- *Removing and installing is described only for the left rearview mirror. Removing and installing right rearview mirror is derived accordingly from this.*

Removing

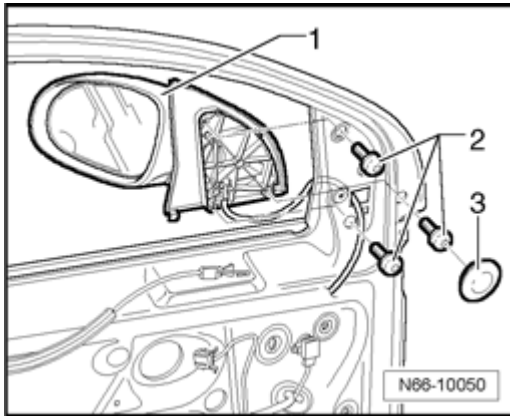
- Remove front drivers side door trim

⇒ [Repair Manual, Body Interior, Repair Group 70, Door trim](#)



- Disengage cable brackets - **2** - and disconnect harness connector - **1** - for rearview mirror.

Rearview mirror



- Pry cover cap - **3** - out of door and remove bolts - **2** - .
- Remove rearview mirror - **1** - and guide wire through opening in door.

Installing

Installation is performed in the reverse order of removal.

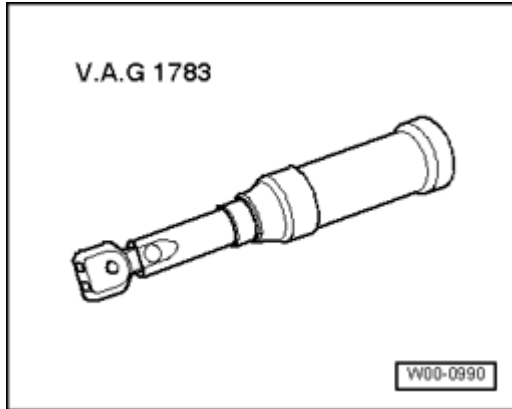
Tightening torque of bolts for rearview mirror: 8 Nm

A function test must be performed before door trim is installed.

Strips and panels

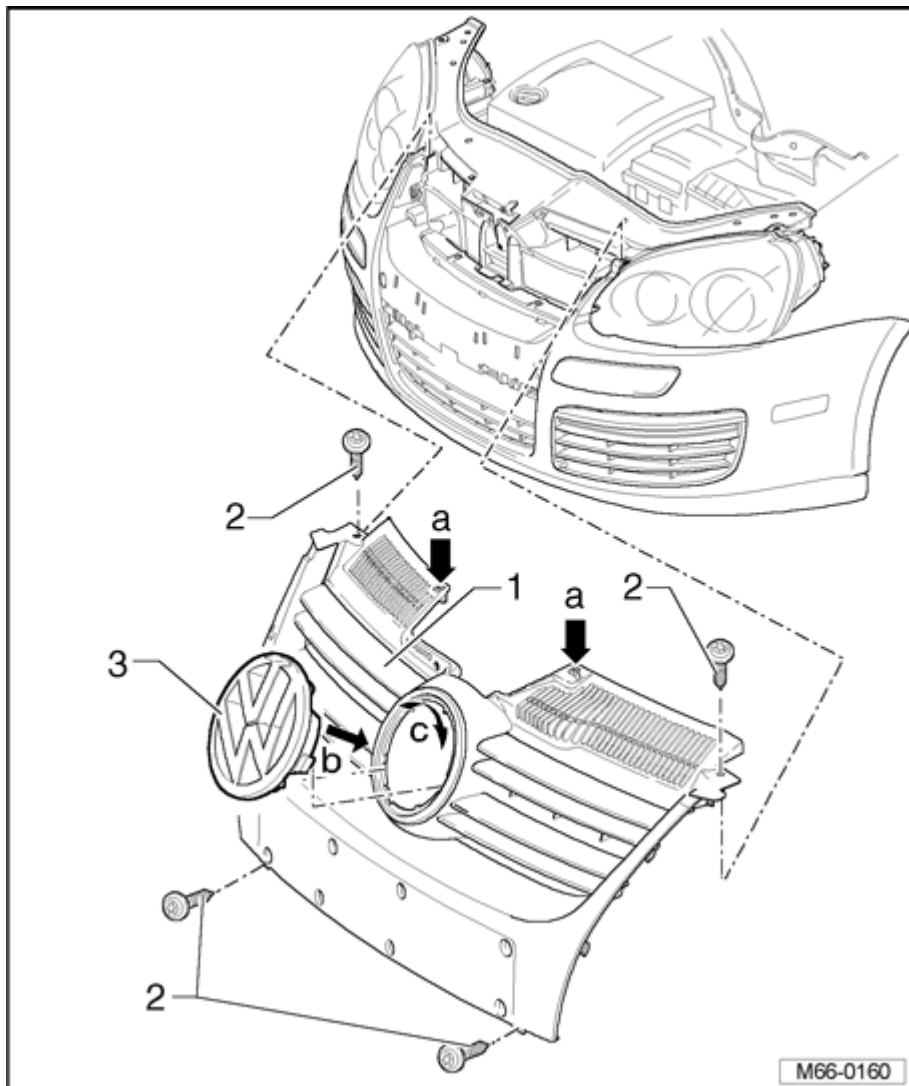
Tools

Special tools, testers and auxiliary items required



- Torque wrench (560Nm) V.A.G 1783

Radiator grille - assembly overview



- **Radiator grille**

- **Bolt**

- 4x
- 2 Nm

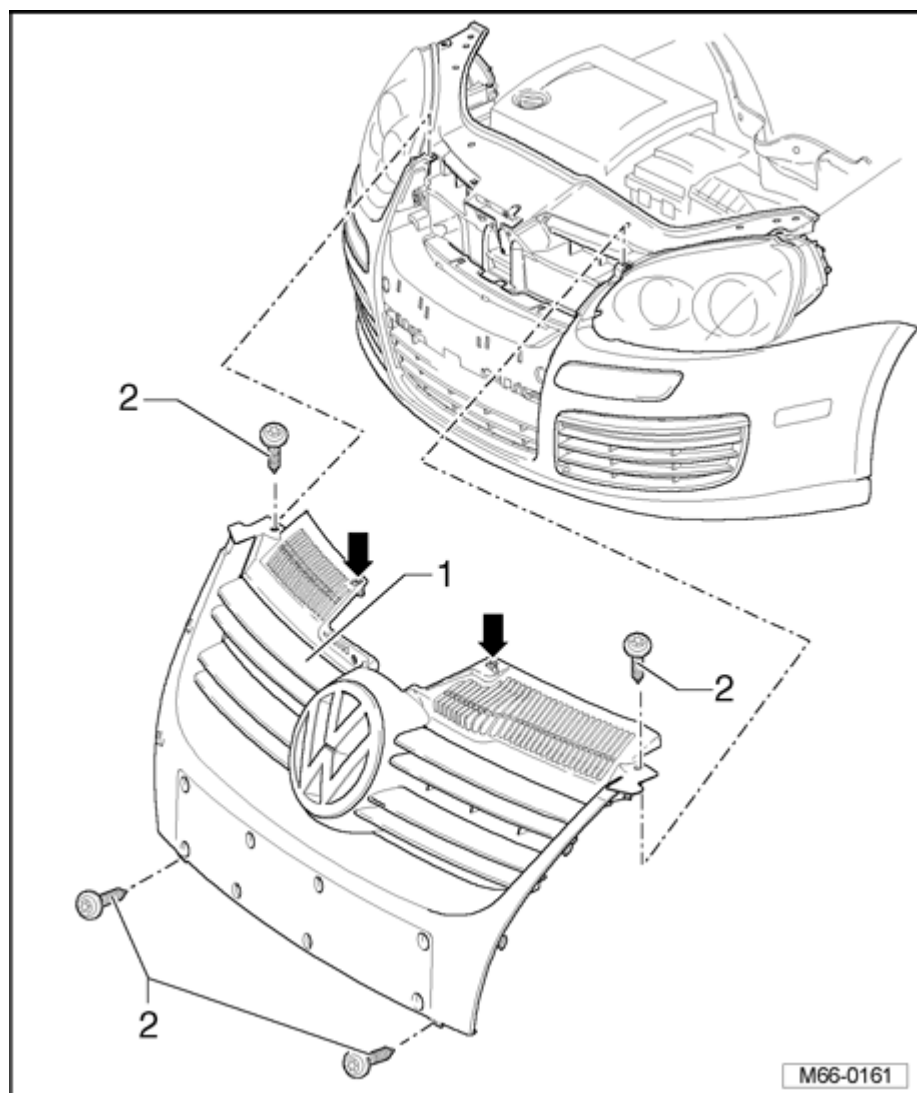
- **VW emblem**

- Clipped into radiator grille.
- To be removed only with radiator grille removed
- Removing: Disengage catch on rear side of VW emblem when radiator grille has been removed and remove by rotating in opposite direction - **arrow c** - .
- Installing: Guide VW emblem with catch into recesses in radiator grille - **arrow b** - , then twist slightly in direction - **arrow c** - until VW emblem engages in radiator grille.

Radiator grille, removing and installing

Removing

- Remove bolts - **2** - .
- Using a small screwdriver, disengage clips - **arrows** - from lock carrier.

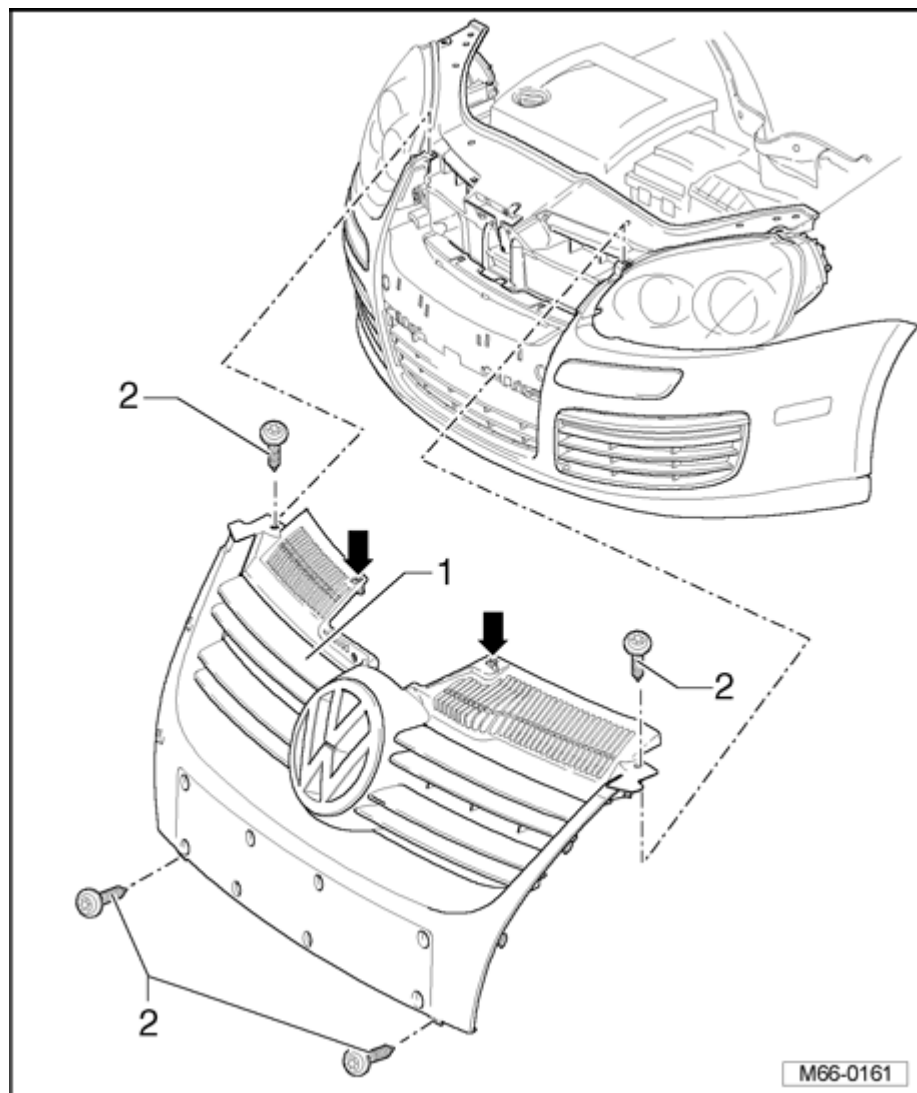


- Tip radiator grille - **1** - slightly toward front and pull it upward out of bumper cover.

Installing

- From above, insert radiator grille - **1** - tipped slightly toward front into mounts in bumper cover.

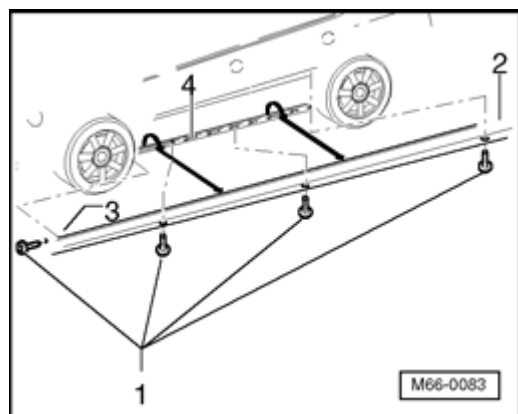
- Tip radiator grille - **1** - toward lock carrier and engage clips - **arrows** - in lock carrier.



- Screw in bolts - 2 - (2 Nm).

Side panel moldings for GLI vehicles, removing and installing

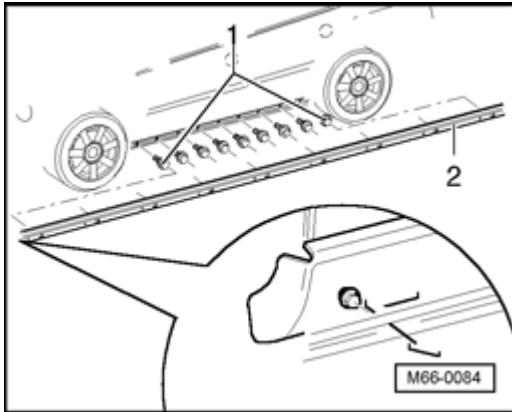
Removing



- Remove screws - 1 - (Torx T25) from body.

- Remove side panel molding - 2 - in - **direction of arrow** - .

If necessary



- Slide holding strip - **2** - to the front and release it as shown - **arrow** - .

- Remove damaged bolts - **1** - .

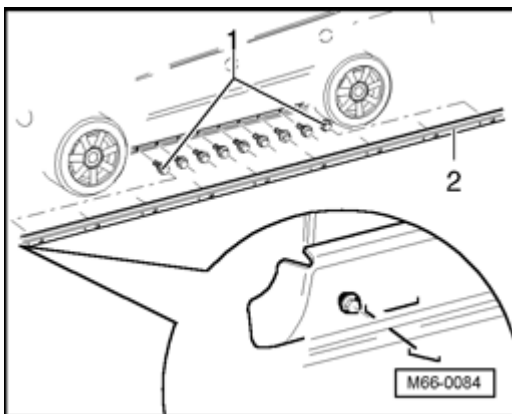
Note :

- *The number of spare part for bolts - **1** - is different from the production number. Consult your spare parts department.*

Installing

- Clean side panel and holding strip in order to avoid any glue residues, isoprophilic alcohol is recommended.

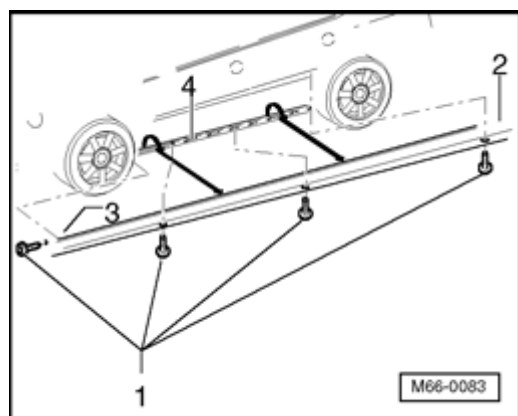
If necessary



- Screw bolts - **1** - . Torque = 1.2 ± 0.1 Nm

- Install holding strip - **2** - , by verifying that all bolts fit in the bores and slipping it toward the front.

Continue for all cases



- Starting from rear, put side panel molding - 2 - over the holding strip - 4 -

.

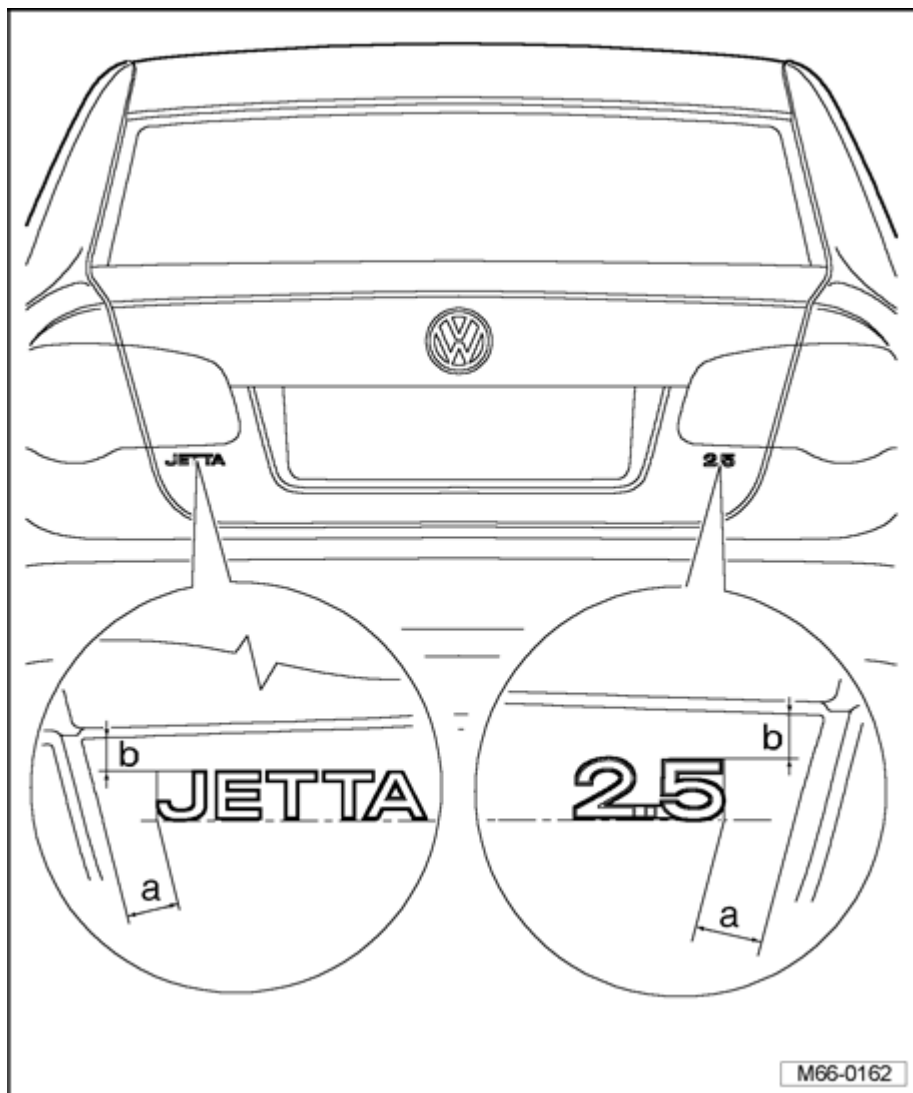
- Fasten front side of the side panel molding - 2 - with one screw - 1 - .
Torque = 2 ± 0.5 Nm.

- Remove the cover - 3 - of the double sided tape on the side panel molding - 2 -
- with the help of one wedge.

- Fasten side panel molding - 2 - by pushing it to the body.

- install the rest of the screws - 1 - (3 pieces). Torque = 2 ± 0.5 Nm.

Dimensions of rear name plates



- **Dimension - a - = 25 mm**

- From outer edge of rear lid to name plate

- **Dimension - b - = 15 mm**

- From lower edge of cutout for taillamp assembly in rear lid to upper edge of name plate