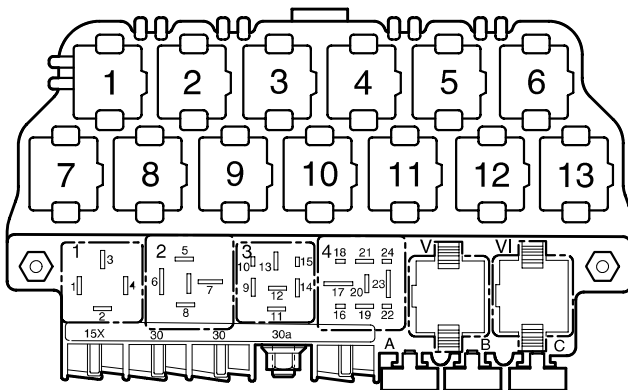


Heated seats,

from September 1998

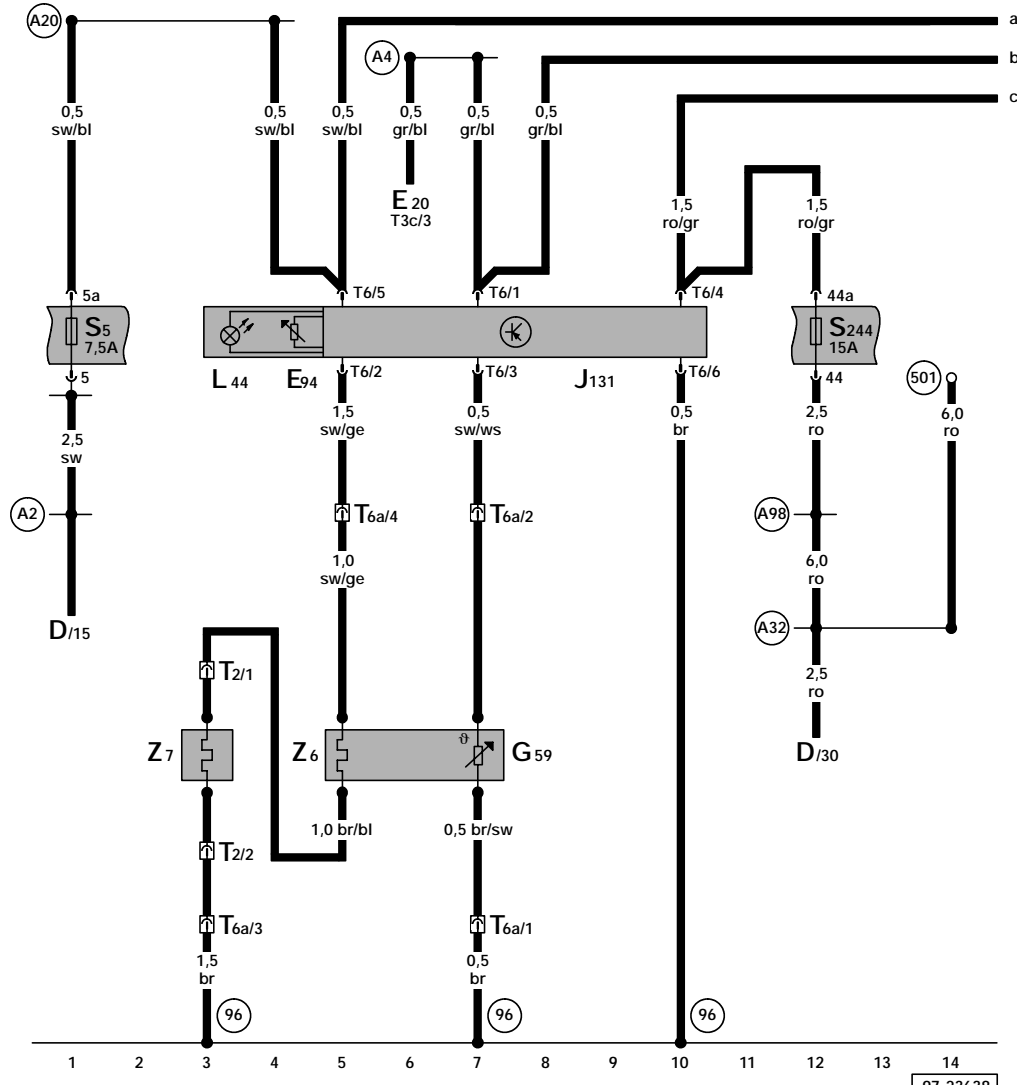
Deviate relay location and fuseplacements as well as the locations of multiple connectors see section "component locations".



97-14163

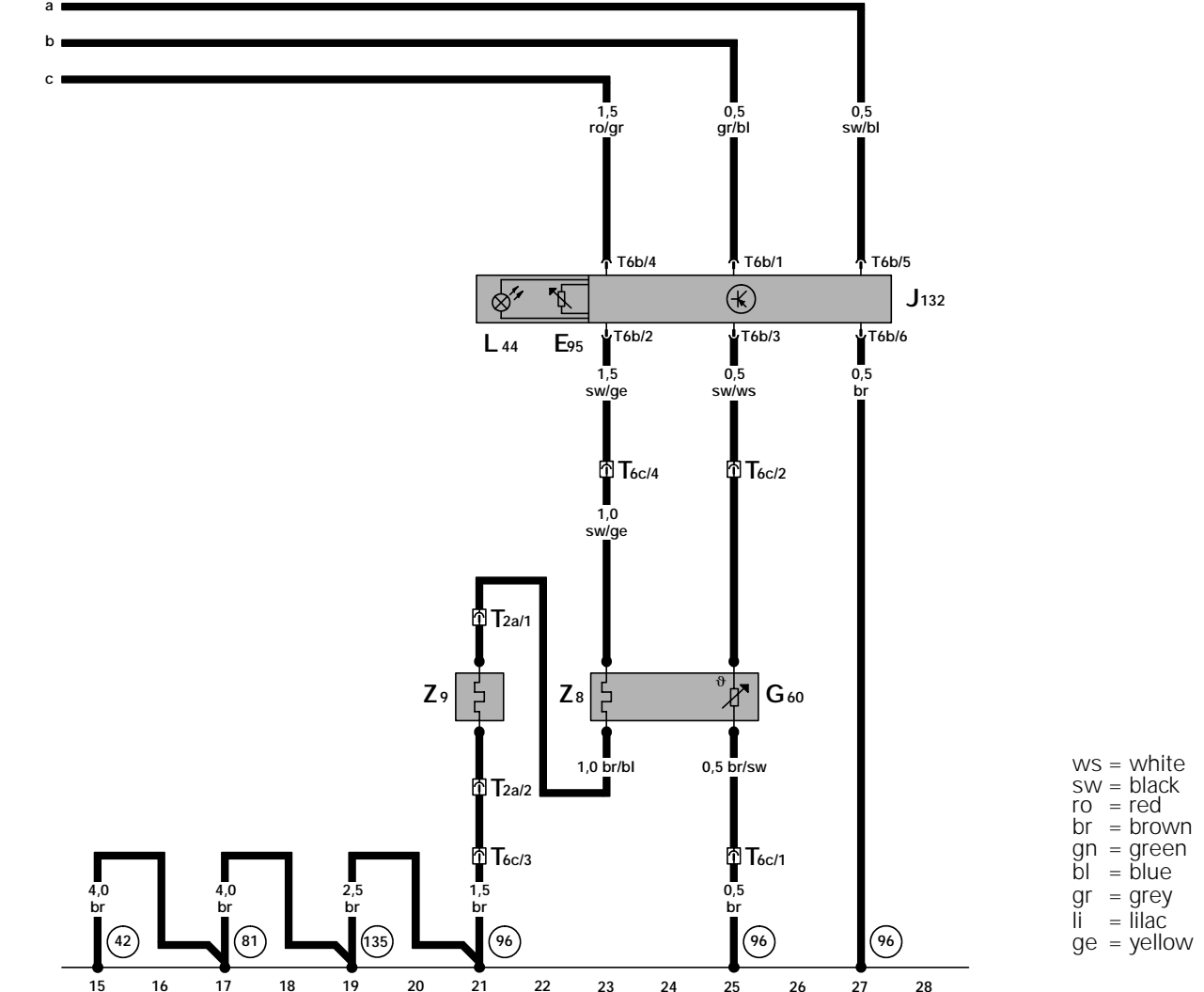
Fuse colors

- 30 A - green
- 25 A - white
- 20 A - yellow
- 15 A - blue
- 10 A - red
- 7,5 A - brown
- 5 A - beige
- 3 A - violet



- D - Ignition/Starter Switch
- E20 - Instrument Panel Light Dimmer Switch
- E94 - Adjuster for heated driver's seat
- G59 - Driver's Heated Seat Temperature Sensor
- J131 - Driver's Heated Seat Control Module
- L44 - Heated Seat Switch Illumination Light
- S5 - Fuse 5 in fuse holder
- S244 - Fuse 44 in fuse holder
- T2 - Double Connector, below driver's seat
- T3c - 3-Pin Connector
- T6 - 6-Pin Connector
- T6a - 6-Pin Connector, green, below driver's seat
- Z6 - Driver's Seat Heating Element
- Z7 - Driver's Backrest Heating Element

- (96) - Ground connection -1-, in heated seats wiring harness
- (501) - Threaded connection -2- (30) on the relay plate
- (A2) - Plus connection (15), in instrument panel wiring harness
- (A4) - Plus connection (58b), in instrument panel wiring harness
- (A20) - Wire connection (15a), in instrument panel wiring harness
- (A32) - Plus connection (30), in instrument panel wiring harness
- (A98) - Plus connector -4- (30), in instrument panel wiring harness



- E95 - Adjuster for heated passenger seat
 - G60 - Passenger's Heated Seat Temperature Sensor
 - J132 - Passenger's Heated Seat Control Module
 - L44 - Heated Seat Switch Illumination Light
 - T2a - Double Connector, below passenger's seat
 - T6b - 6-Pin Connector
 - T6c - 6-Pin Connector, green, below passenger's seat
 - Z8 - Passenger's Seat Heating Element
 - Z9 - Passenger's Backrest Heating Element
-
- (42) - Ground connection, beside steering column
 - (81) - Ground connection -1-, in instrument panel wiring harness
 - (96) - Ground connection -1-, in heated seats wiring harness
 - (135) - Ground connection -2-, in instrument panel wiring harness