

Wheel bearings, servicing

Wheel bearings, servicing, vehicles with front wheel drive

Note:

- ◆ Descriptions and illustrations are for vehicles with disc brakes.
- ◆ Wheel for drum brake vehicles is the same.
- ◆ All torques and notes apply to vehicles with drum brakes.

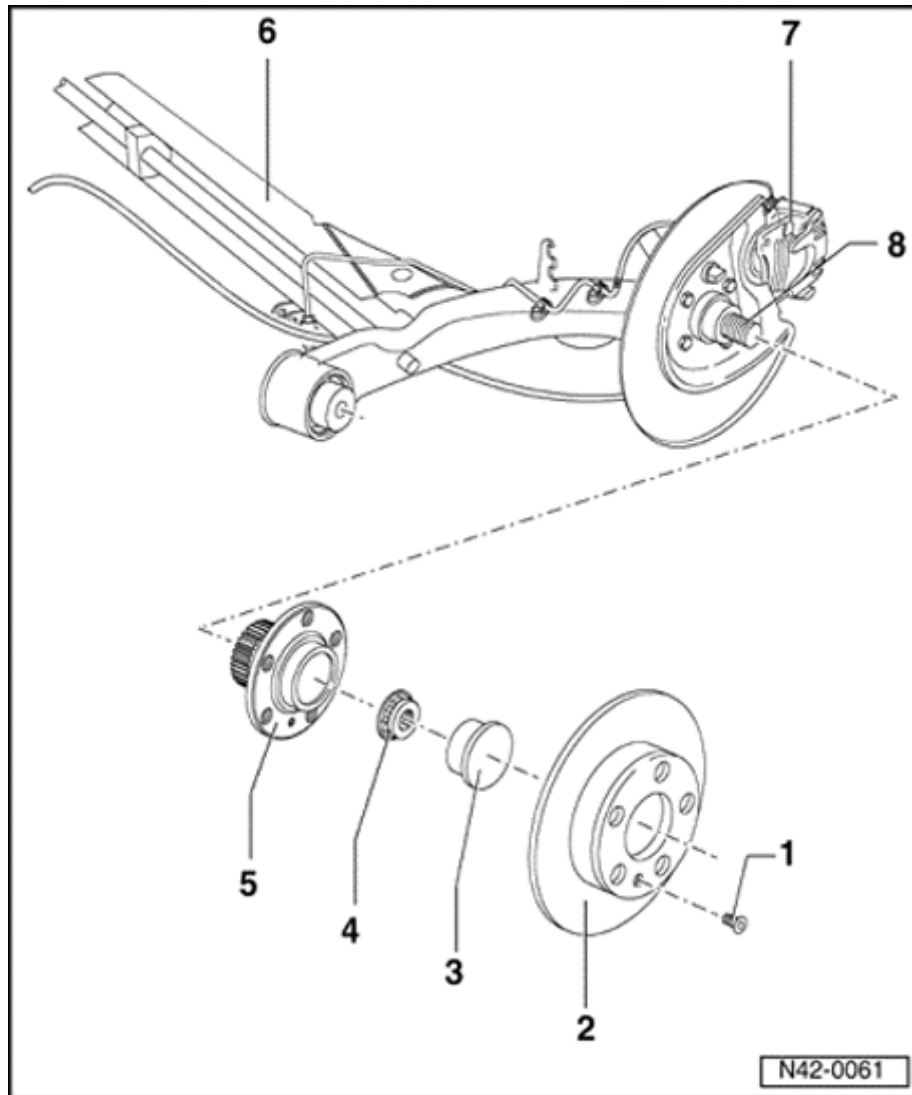
1 - Screw

2 - Brake disc

3 - Grease cap

◆ Always replace

◆ For good seal protection use new grease cap.



4 - Self-locking 12-point nut

- ◆ Nm 175 (129 ft lb)
- ◆ Always replace

5 - Wheel hub/wheel bearings

- ◆ Wheel bearing and hub are installed together in housing.
- ◆ Wheel bearing/hub unit is maintenance and adjustment free. Adjusting and servicing is not possible!

6 - Axle beam

7 - Brake caliper

- ◆ Servicing

⇒ [Repair Manual, Brake System, Repair Group 46](#)

⇒ [Repair Manual, Brake System, Repair Group 47](#)

8 - Stub axle

Note:

- ◆ Do not attempt to straighten stub axle
- ◆ Do not attempt to re-cut threads

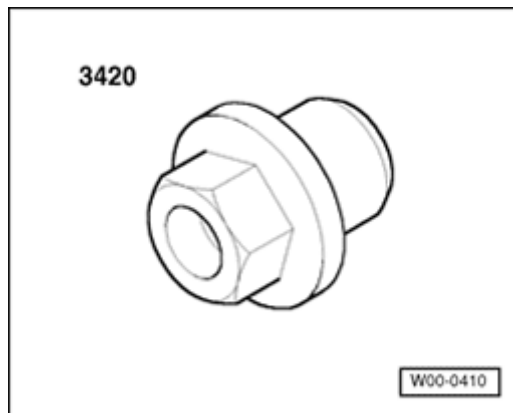


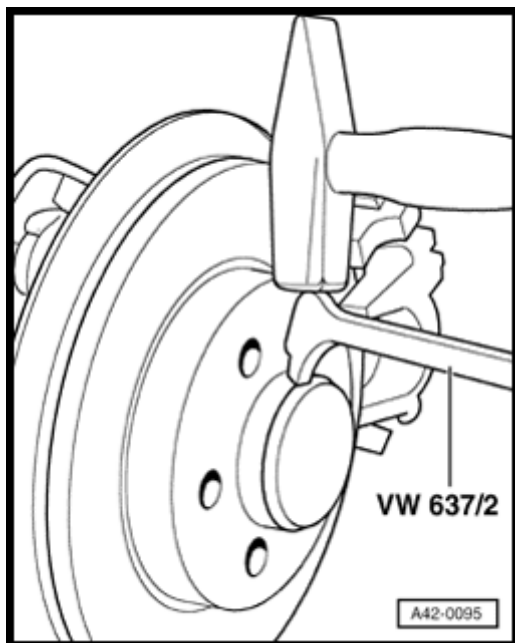
Wheel bearing/wheel hub, removing and installing (with disc brakes)



Special tools and equipment

- ◆ 3420 Assembly tool

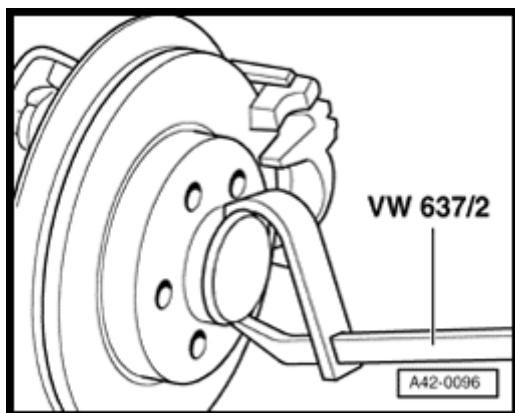




A

Fig. 1 Dust cap, removing

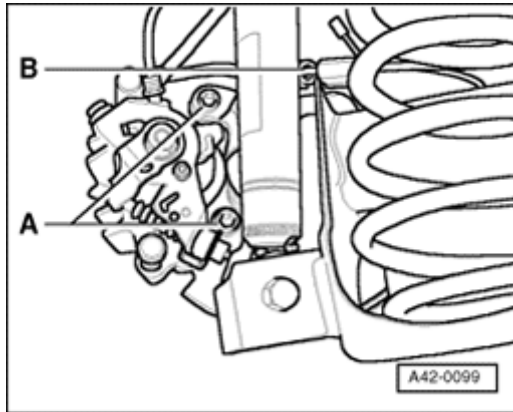
- Tap lightly on claw to loosen.



A

Fig. 2 Dust cap, pulling off

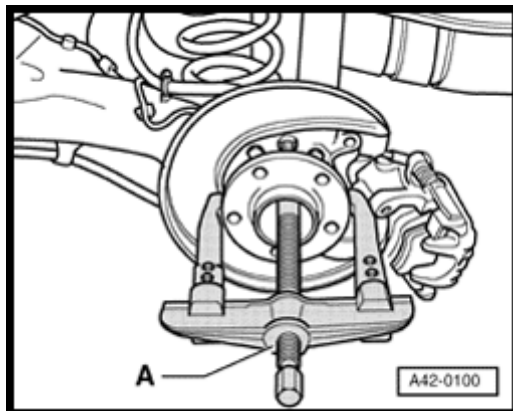
- With cap loosened, use tool VW 637/2 and pull cap off.



A

Fig. 3 Brake caliper, removing

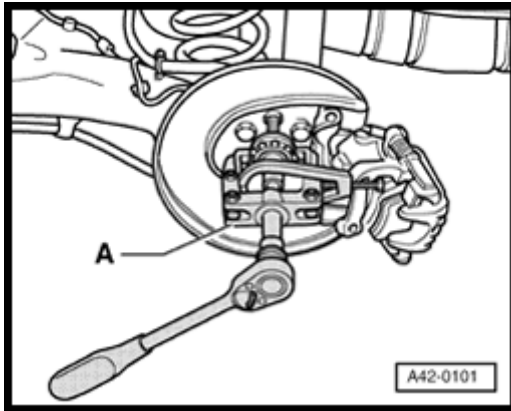
- Remove securing bolts -A- from brake caliper.
- Remove brake caliper and tie up on body.
- Remove brake disc screws and remove brake disc.
- Remove 12-point nut.



A

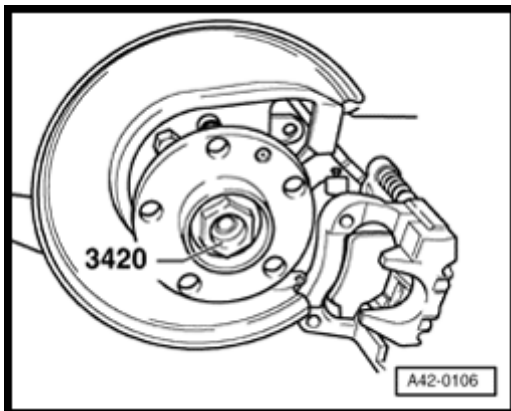
Fig. 4 Wheel bearing/hub unit, removing (pulling off)

A - Puller with leg clamp, e.g. Kukko 20/2



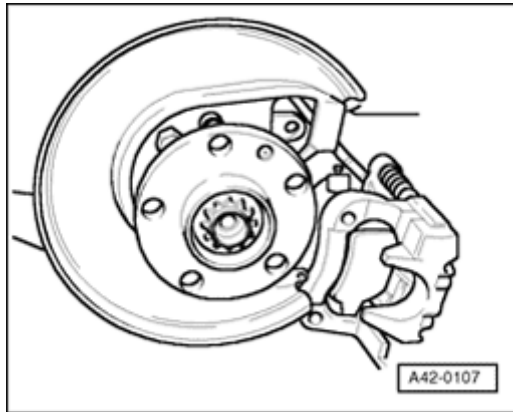
A **Fig. 5 Bearing inner race, removing (pulling off stub axle)**

Only use puller with clamp e.g. Kukko 204-2 (commercial type).

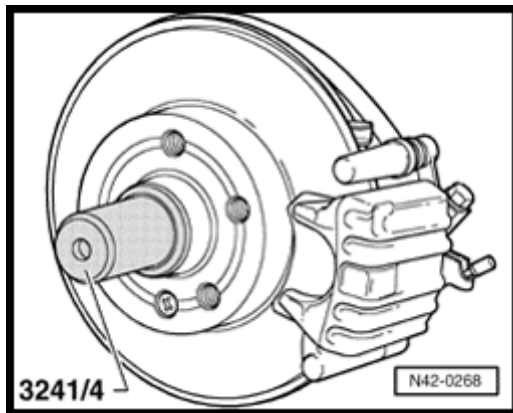


A **Fig. 6 Wheel bearing/hub, installing (pulling on stub axle)**

- Install wheel bearing/hub as far as possible on stub axle.
- Attach special tool 3420 and pull wheel bearing/wheel hub on to stop.



- A**
- Remove special tool 3420.
 - Use a new 12-point nut and tighten to 175 Nm (129 ft lb).



A **Fig. 7 Dust cap, installing (driving in)**

Note:

- ◆ *Always replace damaged (dented) dust caps.*
- ◆ *Always use tool illustrated to reduce chance of damage to dust cap.*

Continue installation in reverse sequence

Tightening torque:

Brake caliper to rear axle 65 Nm (48 ft lb)